

# Bedbase Assembly Instruction

197-000103

## Devices:

### For Single Bedbase



x1 Piece  
headboard connection  
screw



x1 Piece  
Headboard  
Connection Device



x4 Piece  
Bedbase Legs

### For Double Bedbase



x2 Piece  
headboard  
connection screw



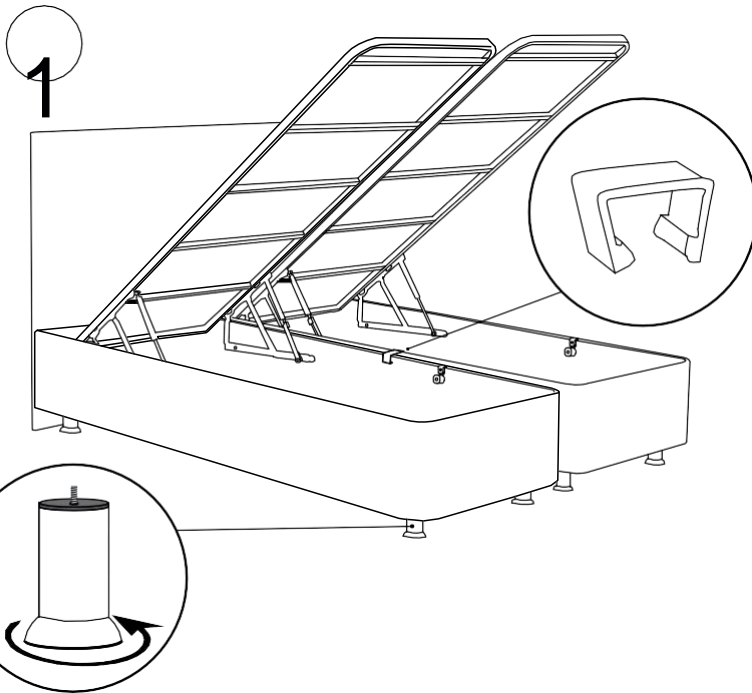
x2 Pcs  
Headboard  
connection device



x8 Pcs  
bedbase leg



x1 Pcs  
Bedbase Connect



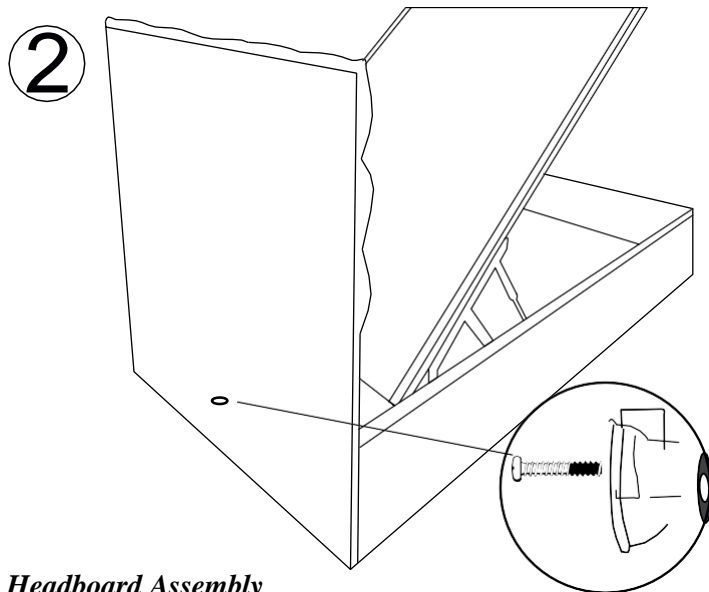
### ATTENTION!

You should pay attention to the bedbase cover.

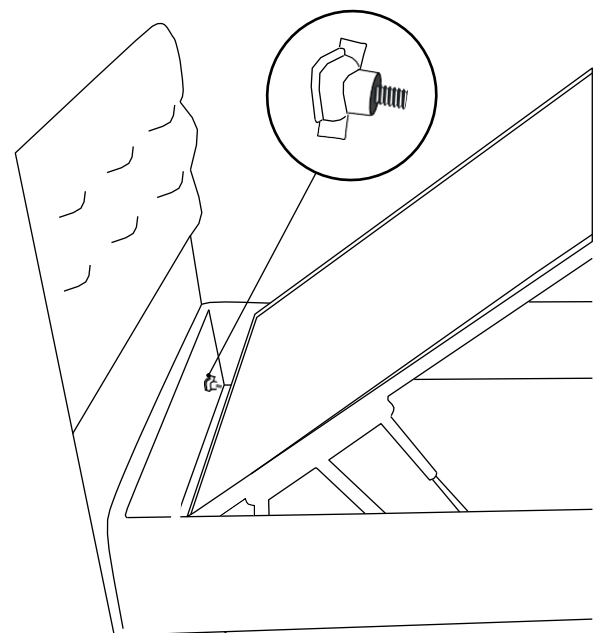
Make sure that there are no children around during the installation.

When you turn the bedbase on its side, the lid may suddenly open and slam. That's why you have to open the lid first and then turn the base on its side.

When installing the bedbase legs, you need to pierce the fabric under the bedbase at the level of the holes on the metal profile.



### Headboard Assembly



Mark the connection points of your bedbase or cot on the header with the help of a pencil. drill the head through the marked points and fix it in place with mounting screws.