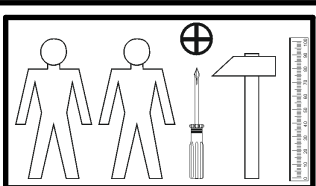
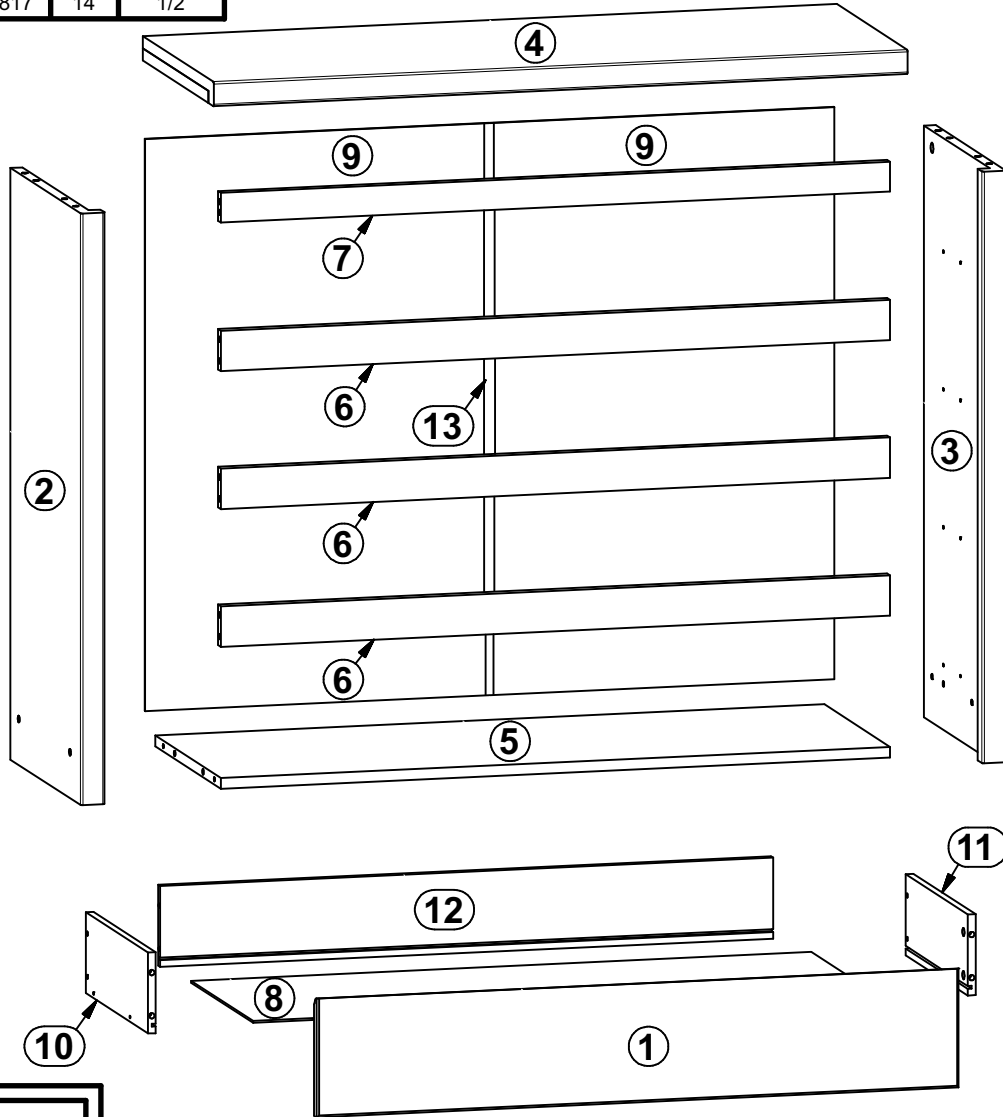
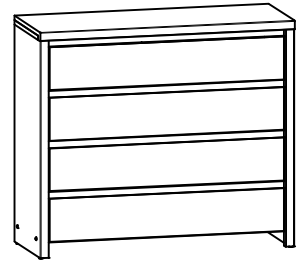


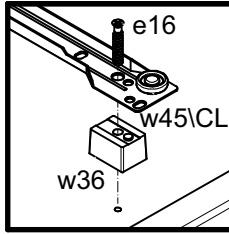
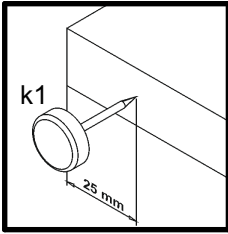
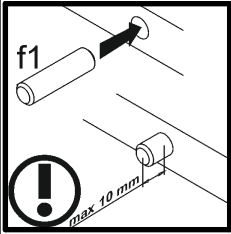
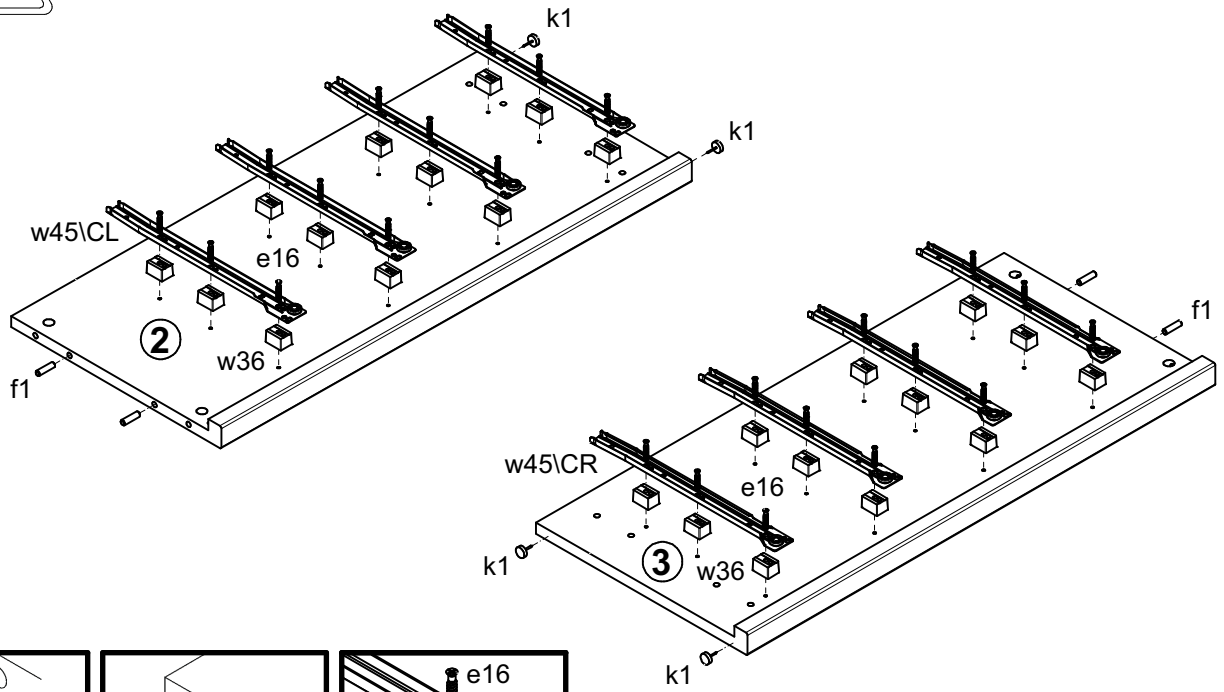
# 195-000023

A	B	C	D	
1	S128-0003	968	176	2/2
2	S128-101	876	396	1/2
3	S128-102	876	396	1/2
4	S128-201	1046	399	1/2
5	S128-301	1009	370	1/2
6	S128-402	1009	60	1/2
7	S128-403	1009	44	1/2
8	S128-9906	926	348	1/2
9	S128-1903	847	519	1/2
10	BP-503	350	120	1/2
11	BP-504	350	120	1/2
12	ZP-5504	916	120	1/2
13	Lh-817	817	14	1/2

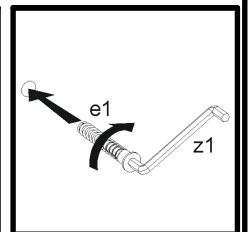
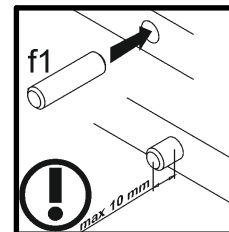
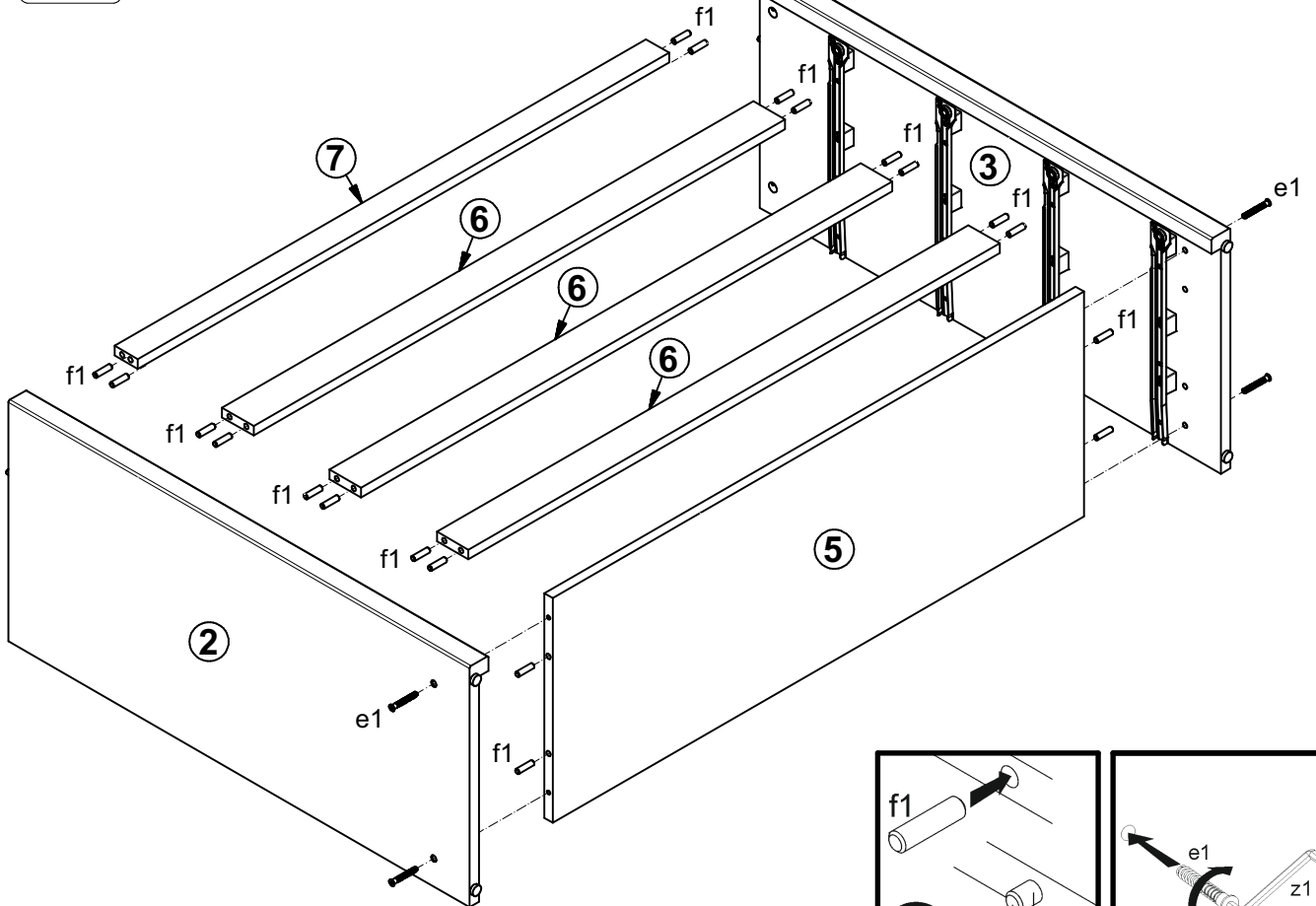


4x  φ7x50 mm e1	24x  φ6x30 mm e16	16x  φ5x9 mm e19	24x  φ8x30 mm f1	16x  φ6.5x40 mm f25	4x  k1	40x  l1	8x  φ3.5x16 mm p25	20x  φ1.5x12mm #16 r1
20x  r42	4x  s1	4x  333 mm t19	24x  h=18 mm w36	4x  350 mm w45\CL	4x  350 mm w45\CR	4x  350 mm w45\DL	4x  350 mm w45\DR	
1x  n2611	1x  φ3.5x16 mm p38	1x  z1						

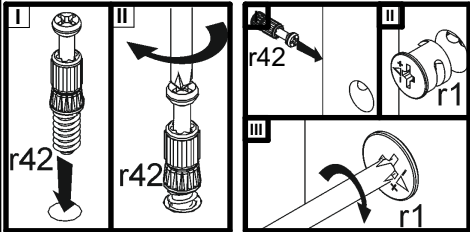
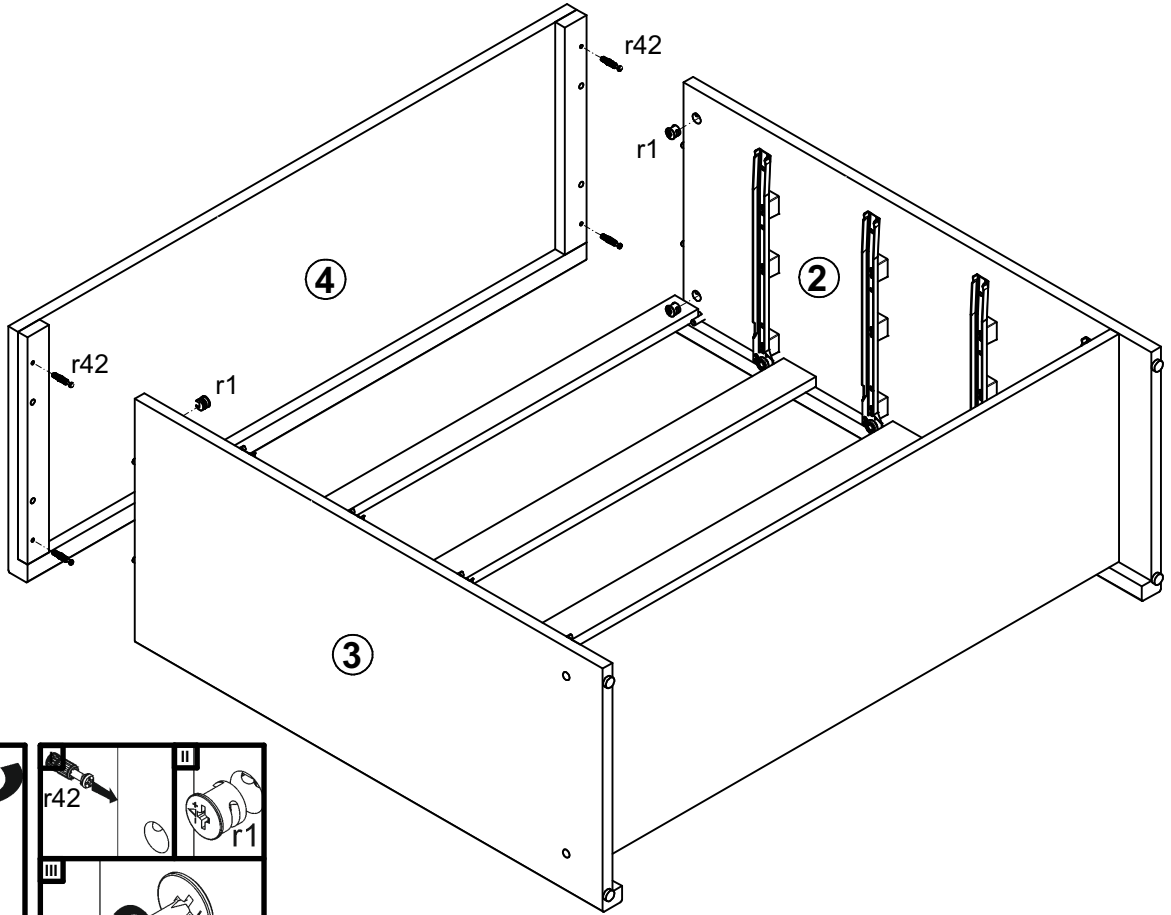
# 1



# 2



# 3



# 4

