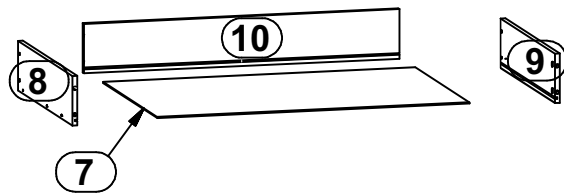
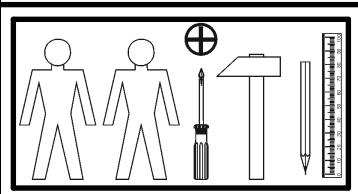
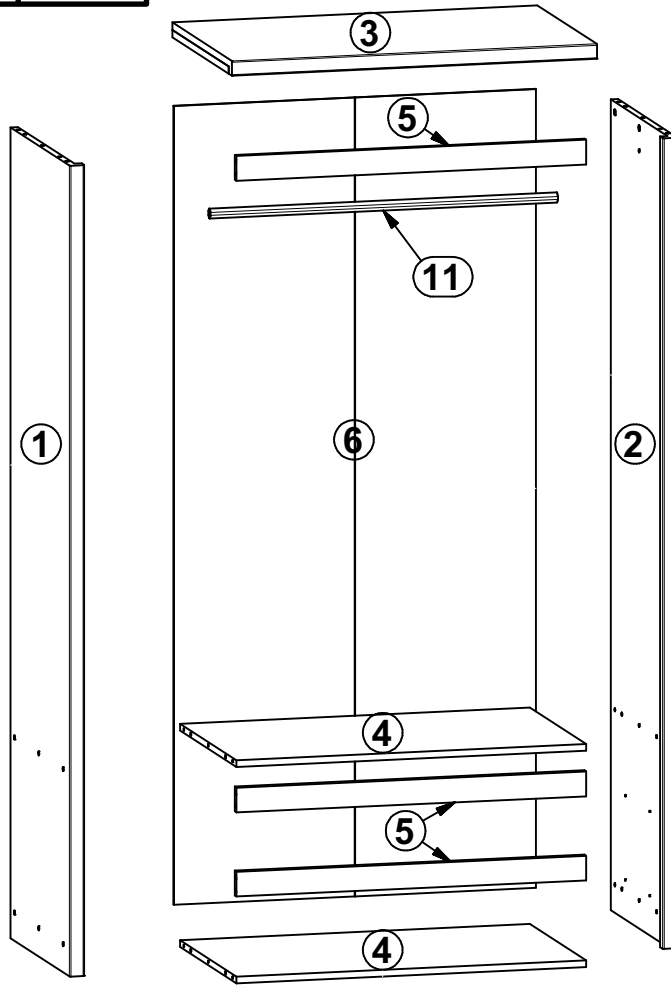
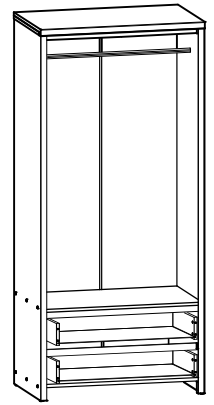
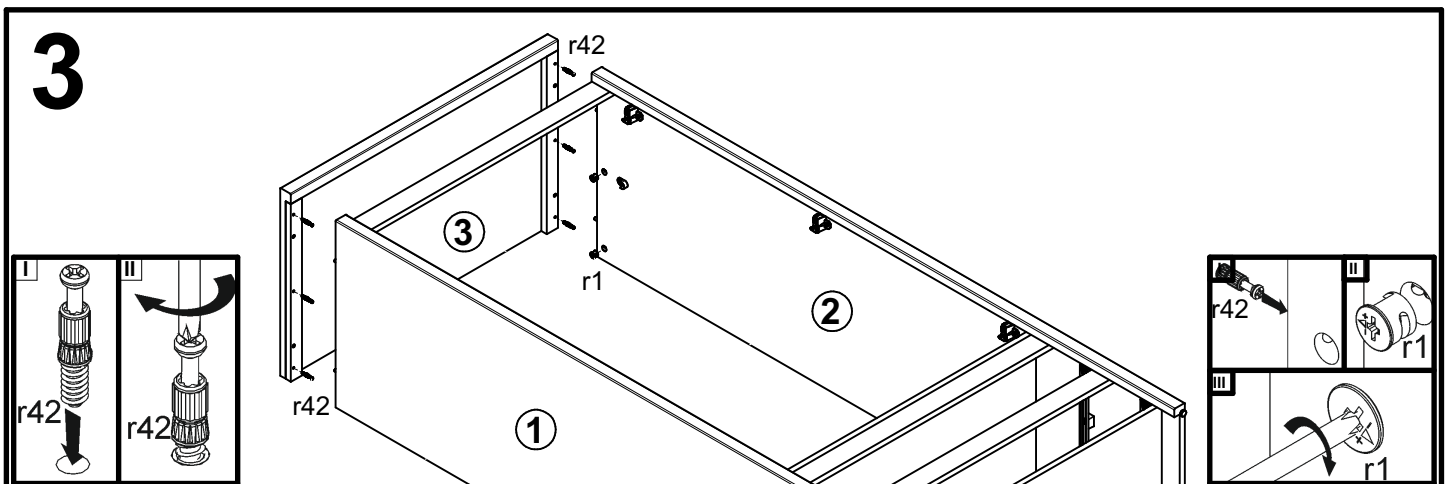
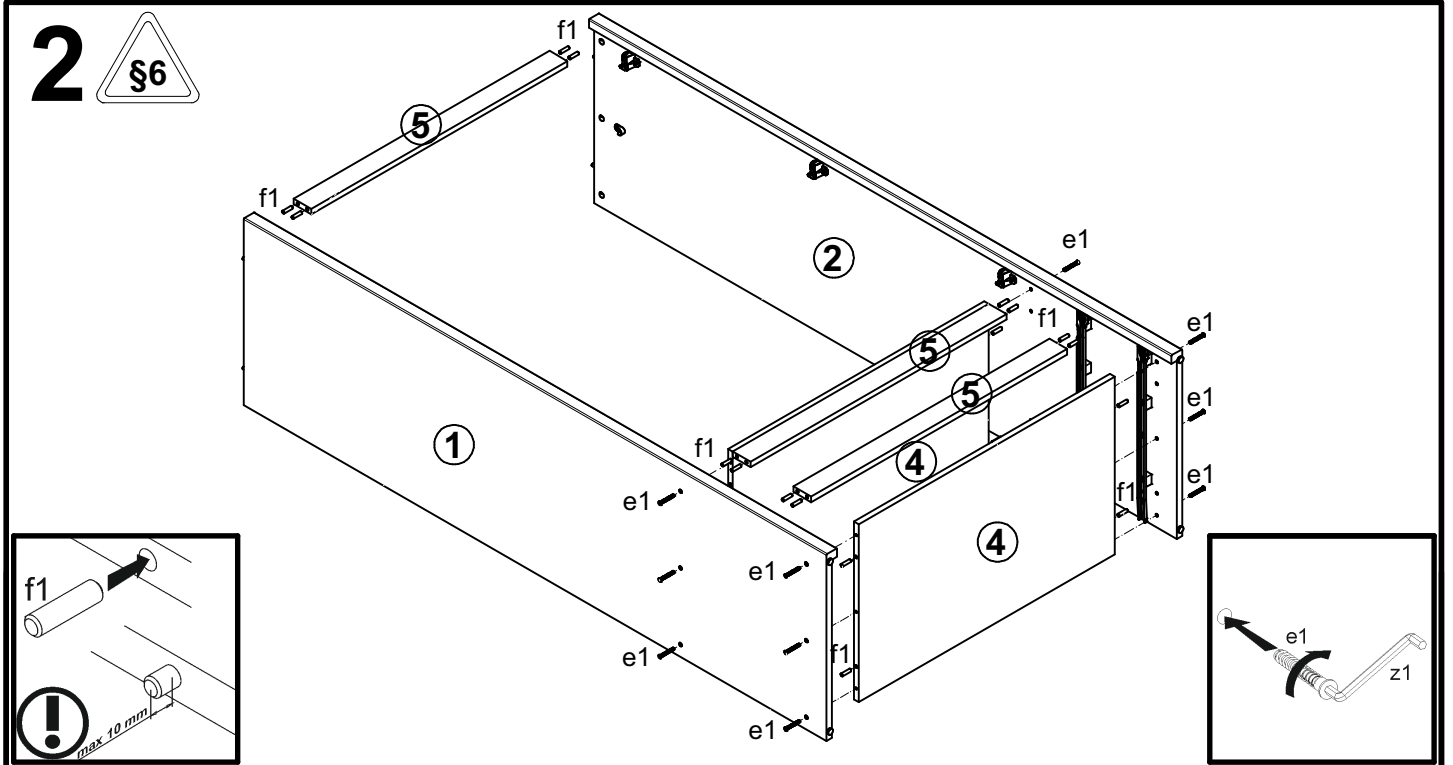
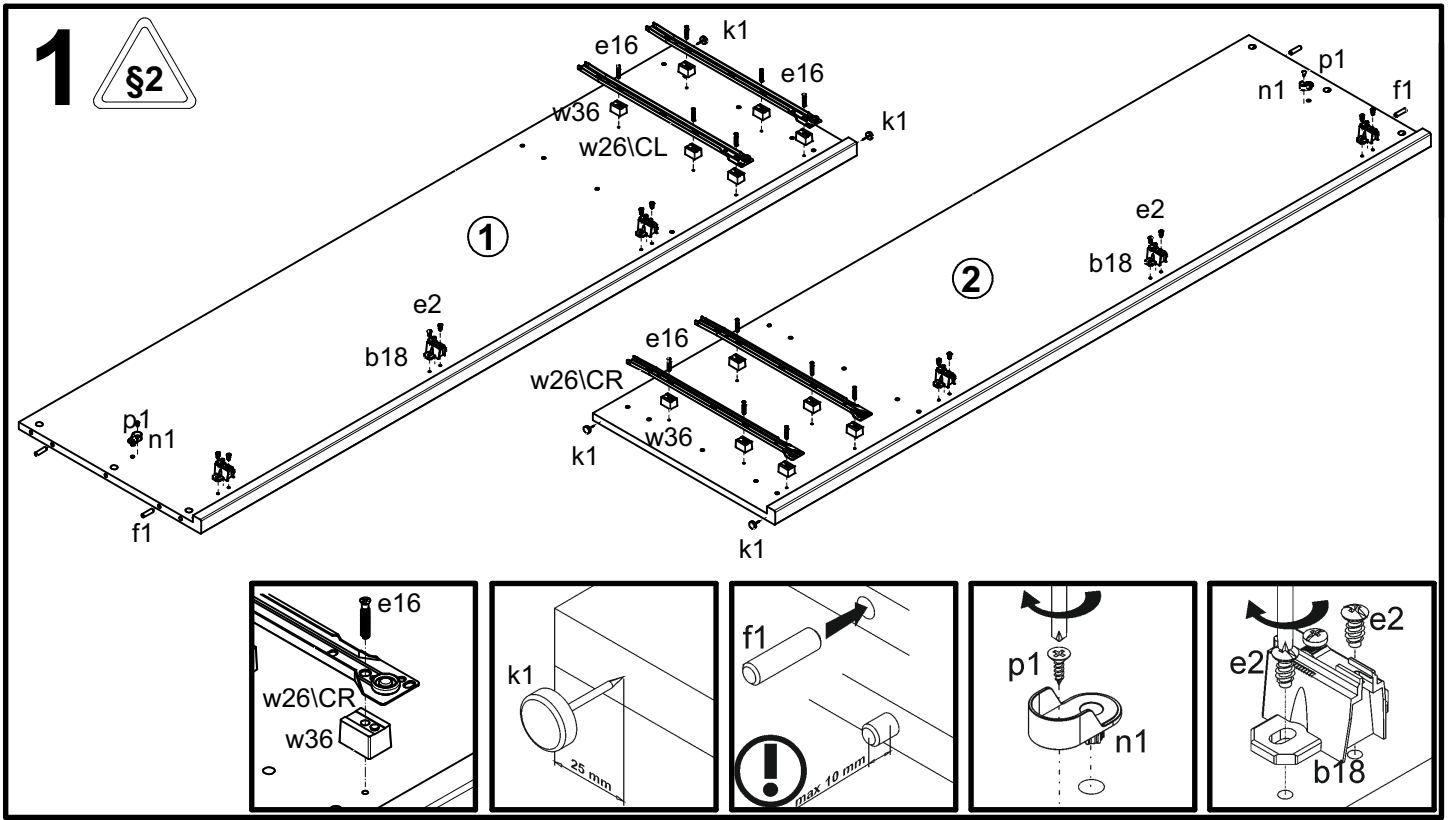


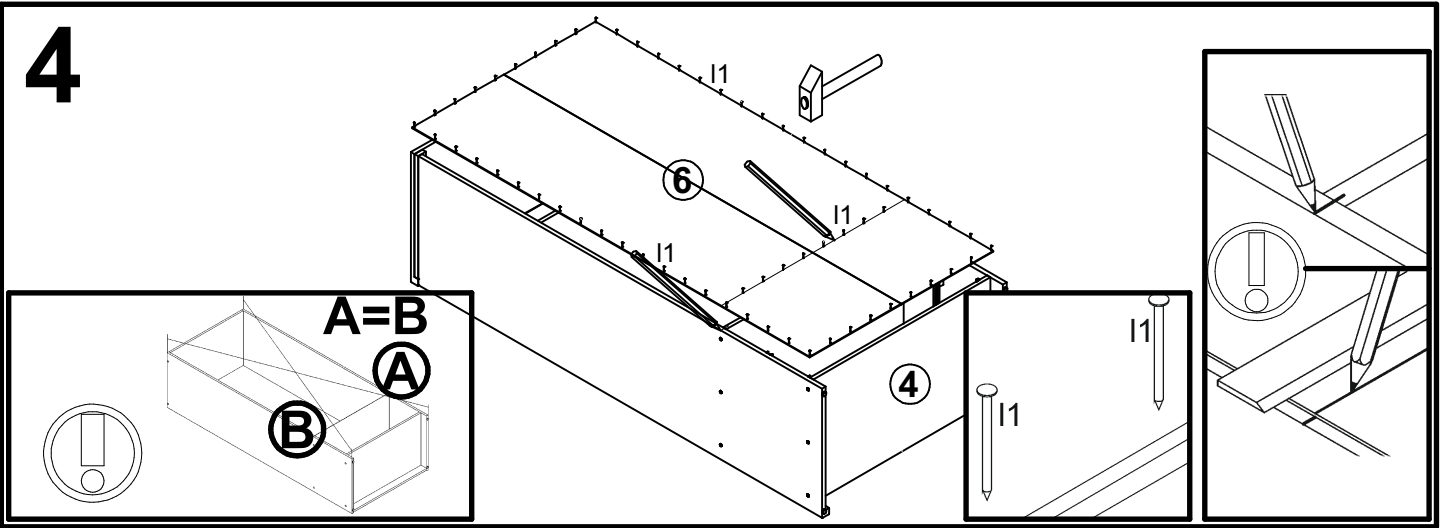
A	B	C		D
1	S128-103	1964	546	1/3
2	S128-104	1964	546	1/3
3	S128-202-01	900	549	2/3
4	S128-303	863	520	2/3
5	S128-401	863	60	2/3
6	S128-902	1935	893	1/3
7	S128-9903	780	498	1/3
8	BP-501	500	120	2/3
9	BP-502	500	120	2/3
10	ZP-5503	770	120	2/3
11	dr-857	857	22	2/3



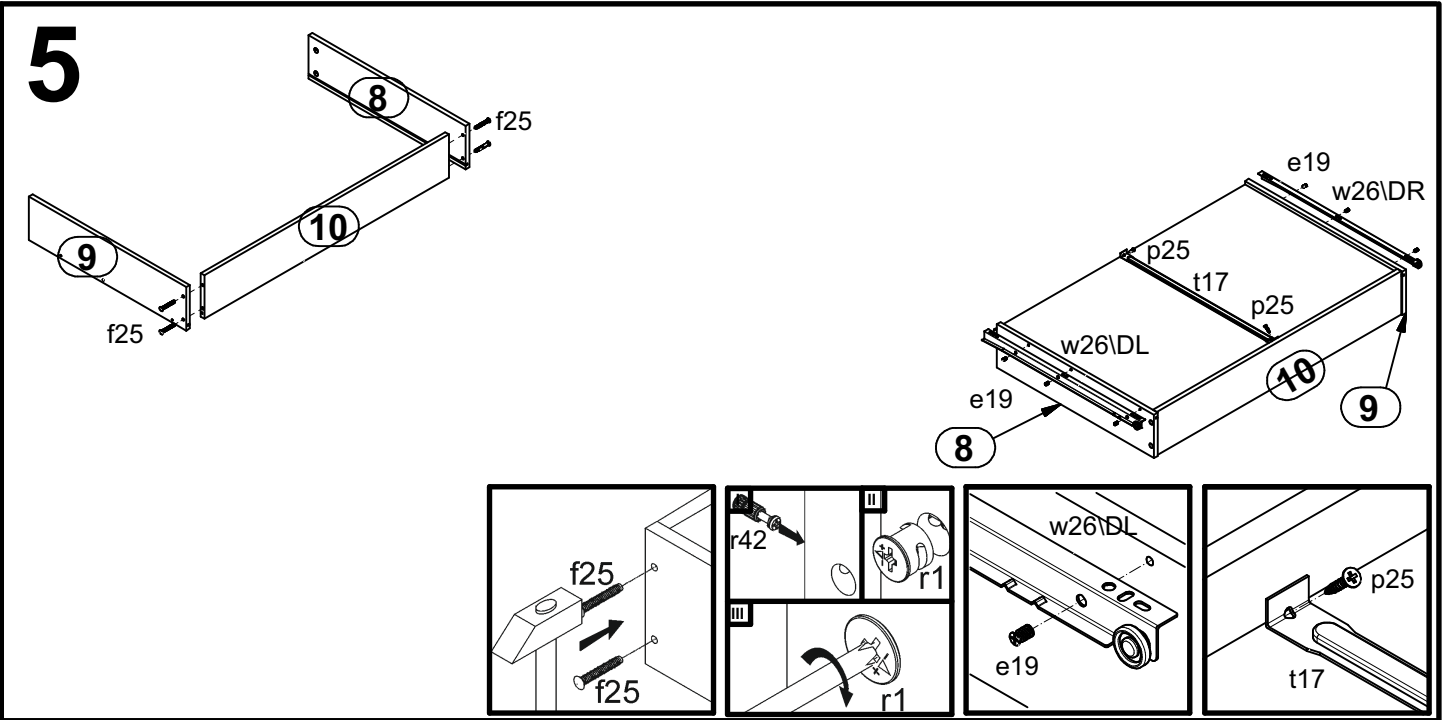
6x  a43	6x  b18	12x  φ7x50 mm e1	12x  φ6x30 mm e16	12x  φ5x9 mm e19	12x  φ6,3x13 mm e2	24x  φ8x30 mm f1	8x  φ6,5x40 mm f25	4x  k1
64x  l1	2x  n1	2x  φ3,5x13 mm p1	4x  φ3,5x16 mm p25	12x  φ3,5x15 mm p51	14x  φ1,5x12mm #16 r1	14x  r42	12x  s1	6x  ø16 s2
2x  483 mm t17	2x  500 mm w26\CL	2x  500 mm w26\CR	2x  500 mm w26\DL	2x  500 mm w26\DR	12x  h=18 mm w36	1x  n26\1	1x  φ3,5x16 mm p38	1x  z1

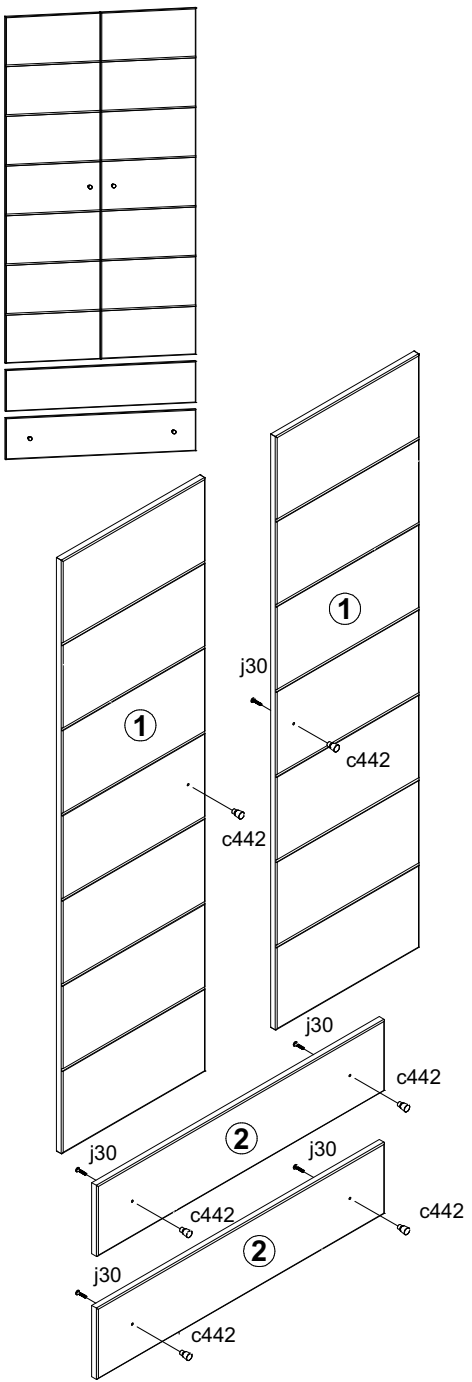
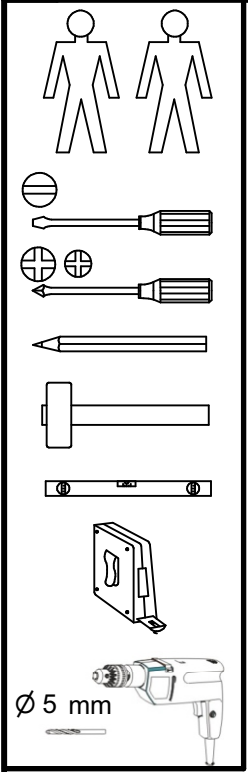


# 4



# 5





A	B	C (mm)		D
1	S264-0032	1468	410	3/3
2	S264-0033	176	822	3/3

