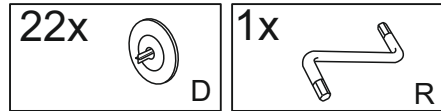
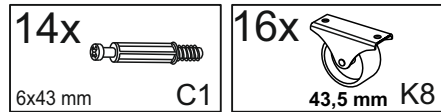
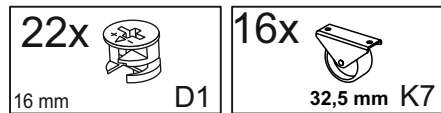
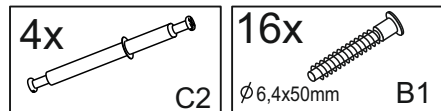
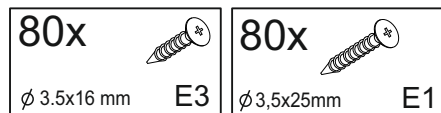


ENG

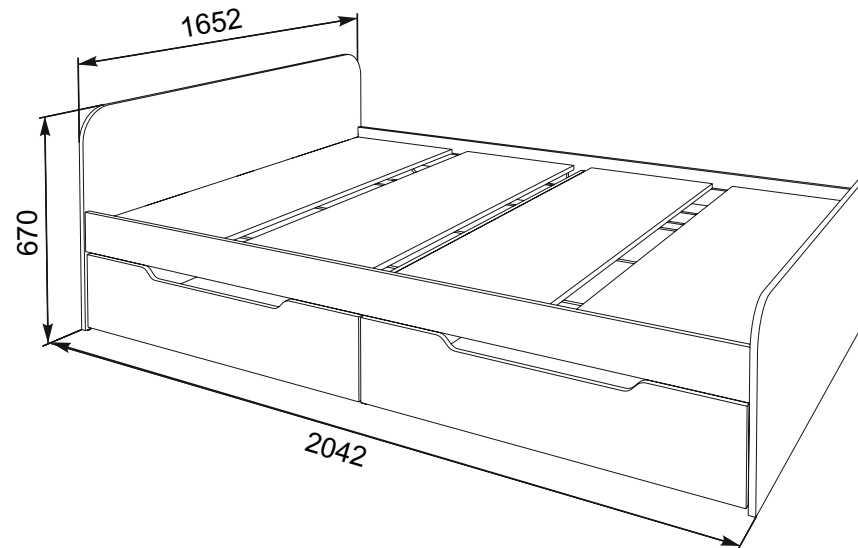
# Bed

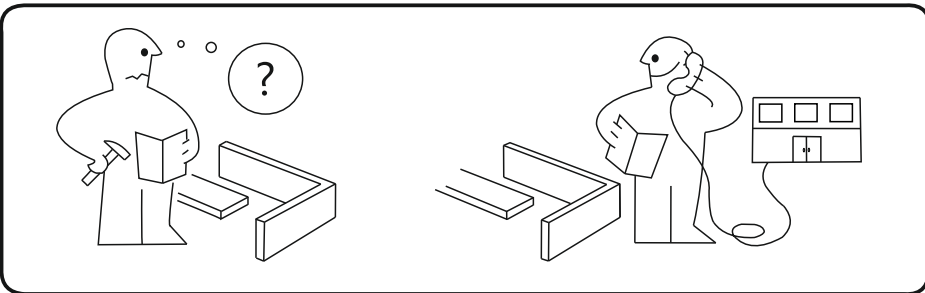
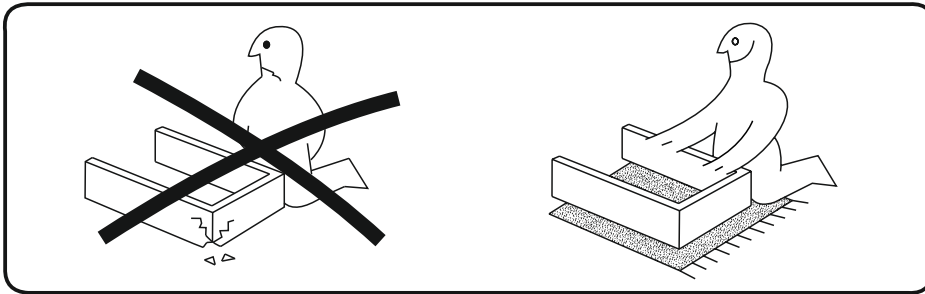
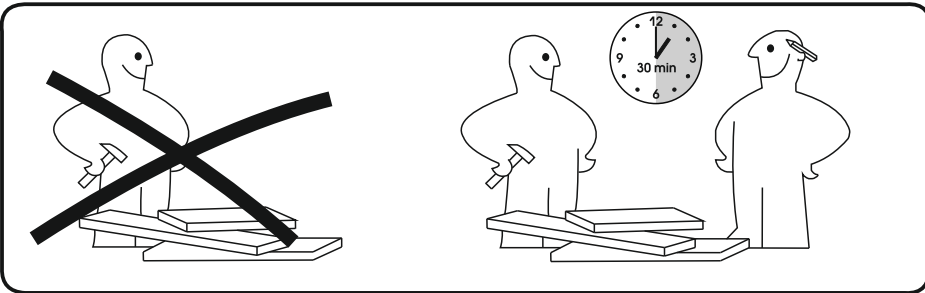
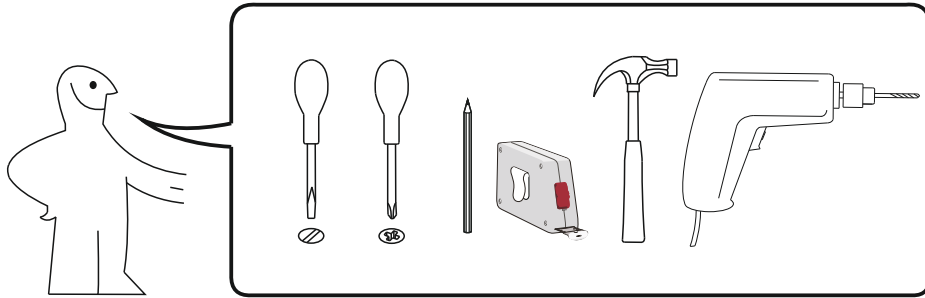
UA



No	axb	x
1	1652x670	1
2	1652x450	1
3	2010x120	2
4	997x304	4
5	897x60	4
6	1610x304	1
7	1604x450	4
8	895x120	8
9a	524x120	4
9b	524x120	4
10	923x520	4
11	996x222	2
12	996x222	2

No	axb	x
13		
14		
15		
16		
17		
18		
19		
20		
21		
22		
23		
24		
25		





**1**

4x **D**

6x **K2**

4x **C2**

4x **D1**  
16 mm

13x **C1**  
6x43 mm

16x **E1**  
ø 3,5x25mm

16x **A1**  
ø 8x30

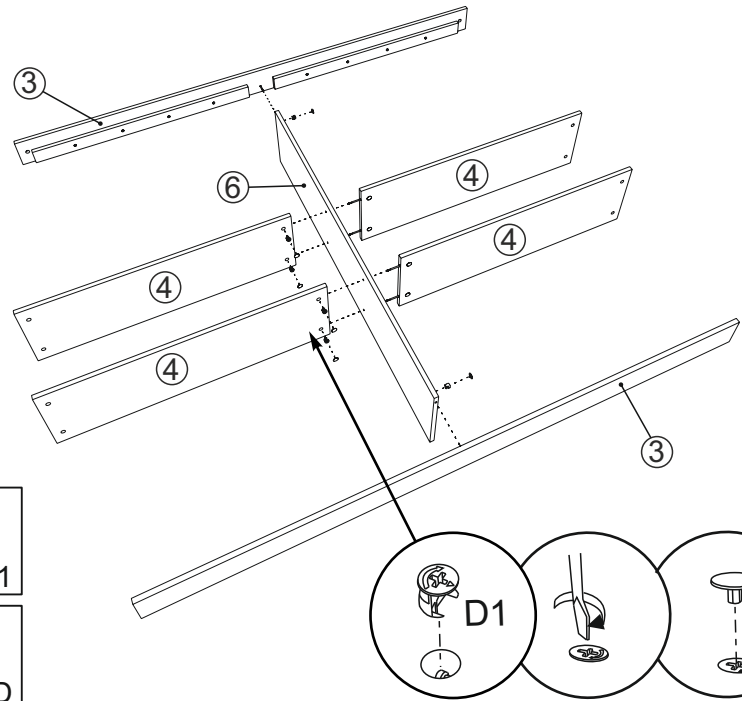
**2**

3x **K2**

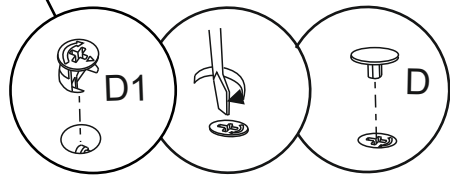
8x **E3**  
ø 3,5x16 mm

8x **K7**  
32,5 mm

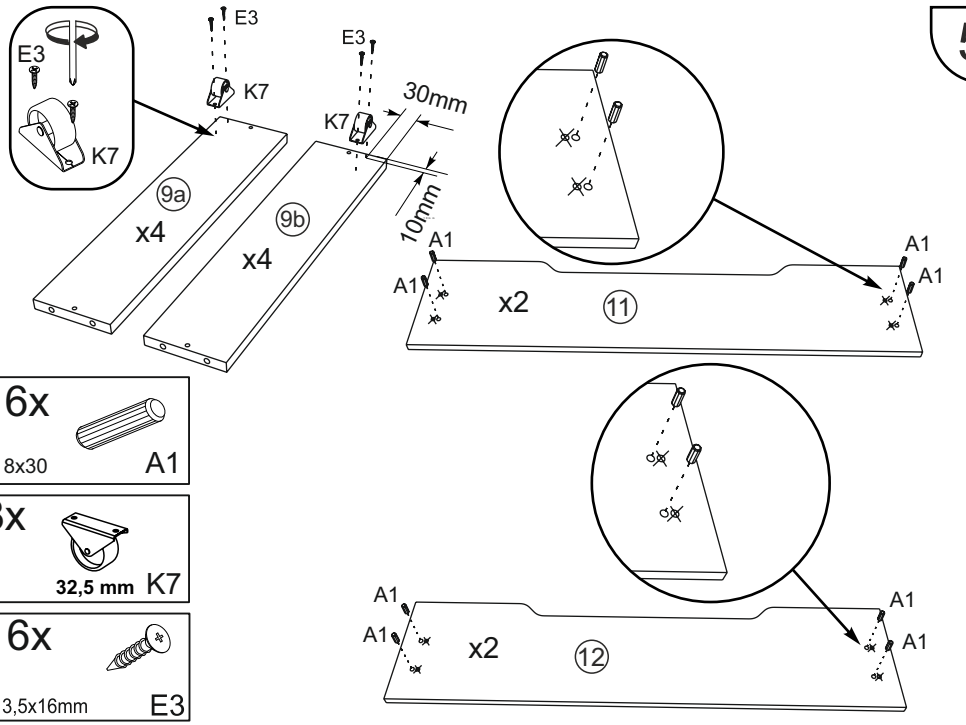
3



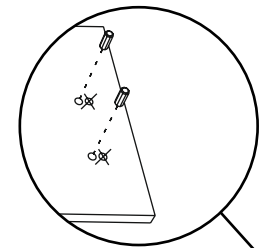
- 6x 16 mm D1
- 6x D



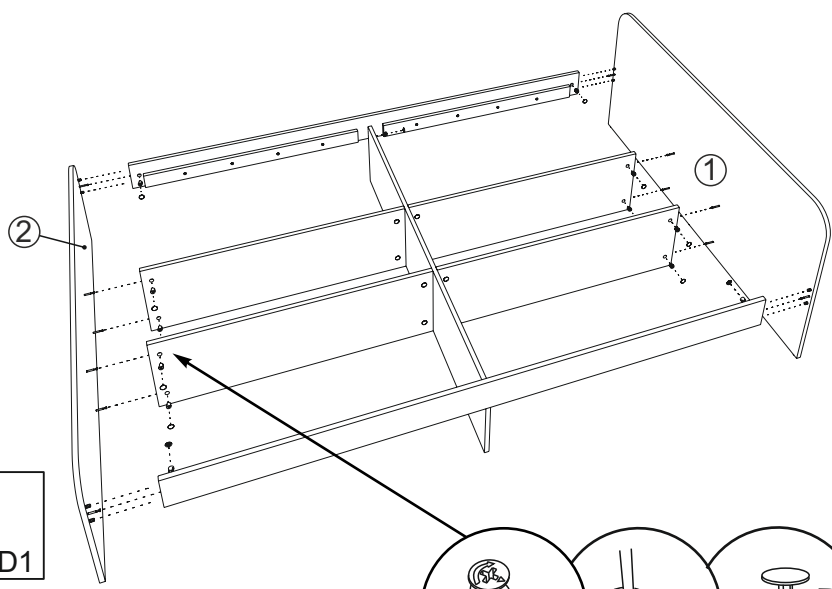
5



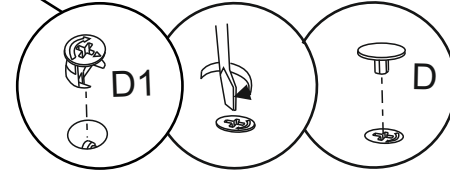
- 16x  $\phi$  8x30 A1
- 8x 32,5 mm K7
- 16x  $\phi$  3,5x16mm E3



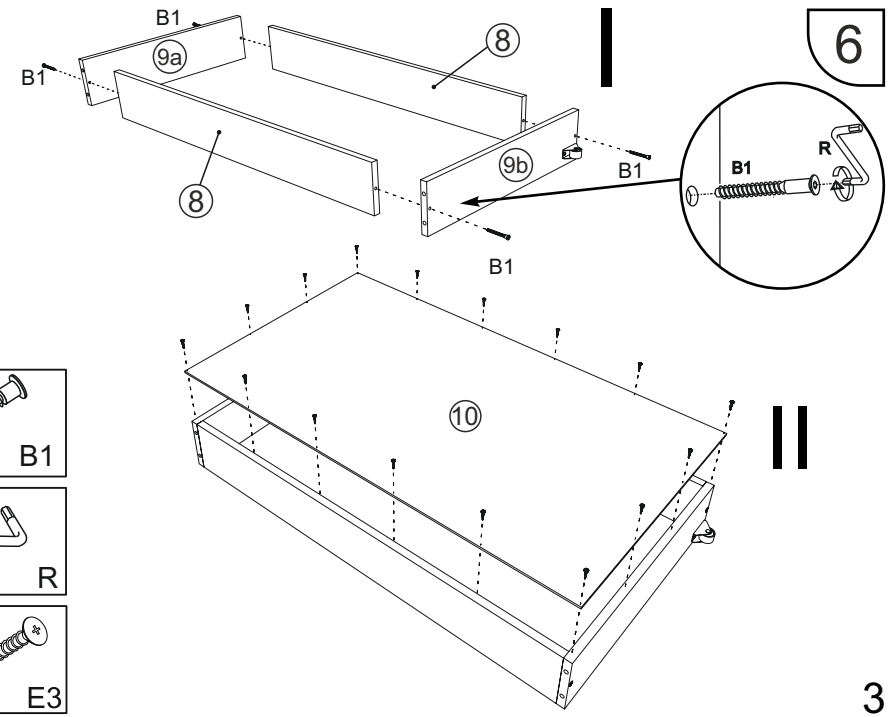
4



- 12x 16 mm D1
- 12x D



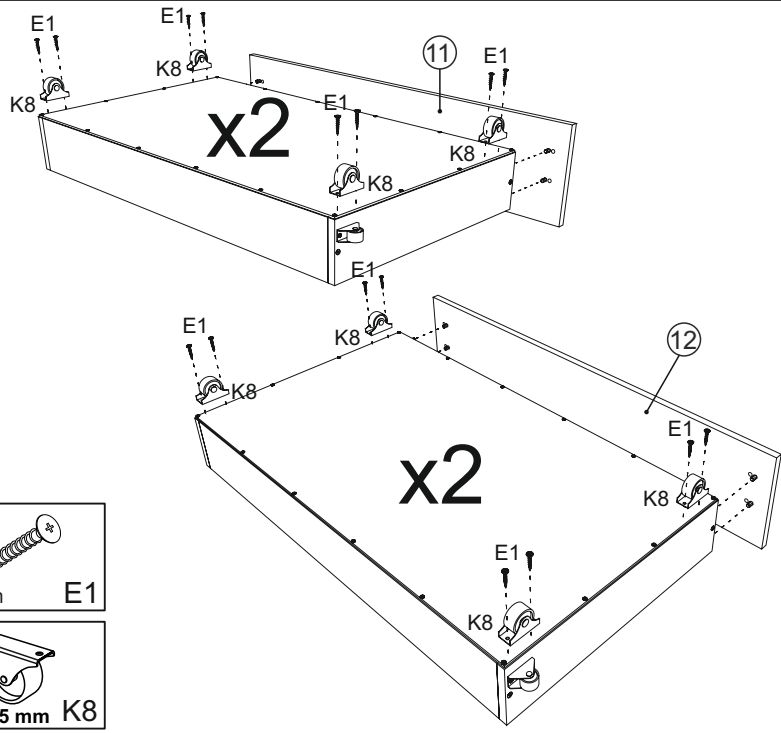
6



- 16x  $\phi$  6,4x50mm B1
- 1x R
- 64x  $\phi$  3,5x16mm E3

3

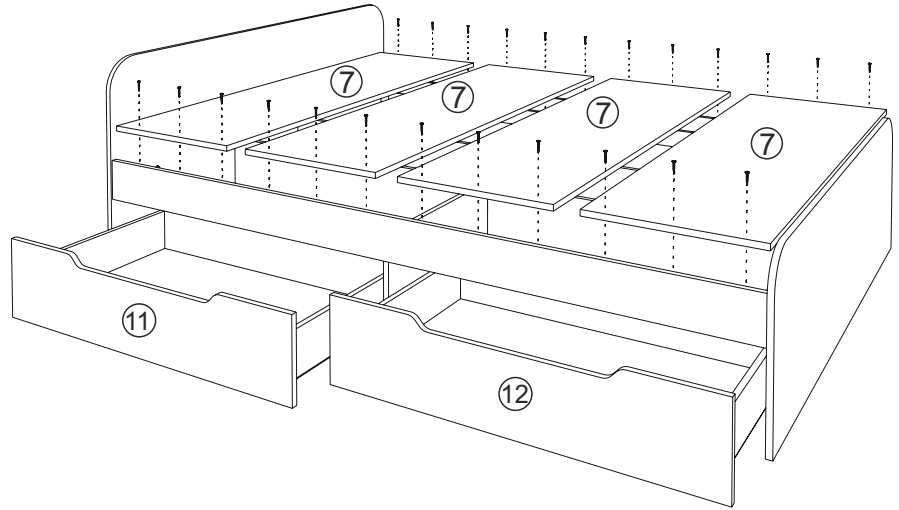
7



32x  
 ø 3,5x25mm E1

16x  
 43,5 mm K8

8



24x  
 ø 3,5x25mm E1

