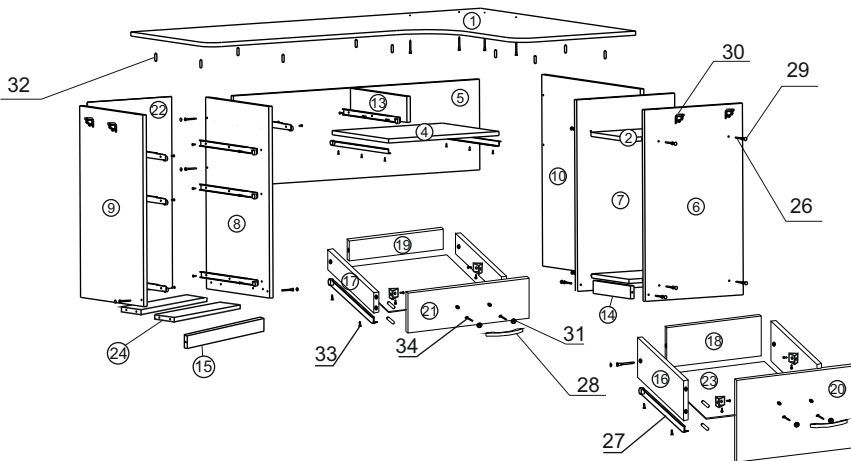


Computer table



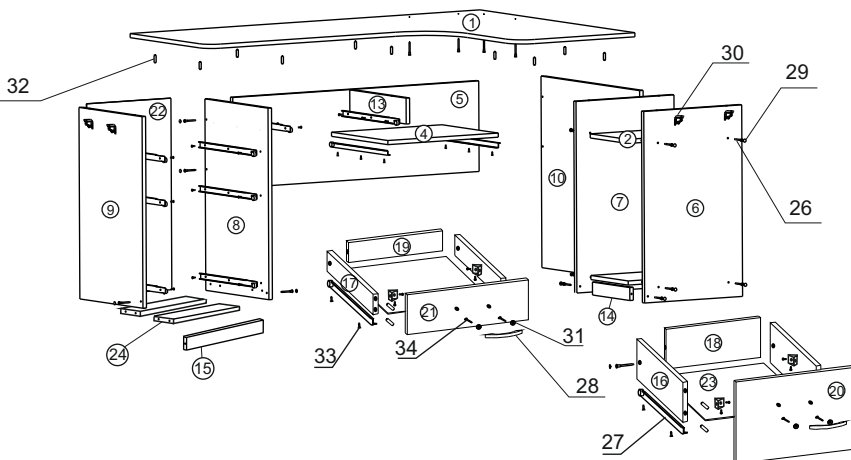
Fittings

- | | |
|--------------------------------------|-------------------------------|
| 25. The key for Confirmate - 1 pcs. | 31. Washer for screw - 6 pcs. |
| 26. Confirmate 6,3x50 - 35 pcs. | 32. The dowel 8x30 - 30 pcs. |
| 27. Guide rail (400mm) - 4 set | 33. Screw 3,5x16 - 44 pcs. |
| 28. Door knob 96 - 3 pcs. | 34. Door handle screw- 6 pcs. |
| 29. Blanket for Confirmate - 21 pcs. | 35. Nail 1,4x20 - 50 pcs. |
| 30. Corner from plastic 10 pcs. | |

Details

1. Desktop- 1600x1100mm - 1 pcs.
2. Shelf - 448x265mm - 2 pcs.
4. Shelf - 505x400mm - 1 pcs.
5. Planck - 1125x350mm - 1 pcs.
6. Stand right - 740x448mm - 1 pcs.
7. Stand right - 740x448mm - 1 pcs.
8. Stand left - 40x448mm - 1 pcs.
9. Stand left - 40x448mm - 1 pcs.
10. Stand - 740x700mm - 1 pcs.
13. Stand small - 400x100mm - 1 pcs.
14. Anther- right - 265x50mm - 1 pcs.
15. Anther- left 360x50mm - 1 pcs.
16. Side wall of a large drawer- 400x200mm - 2 pcs.
17. Side wall of the small drawer- 400x100mm - 4 pcs.
18. Rear wall large drawer - 303x200mm - 1 pcs.
19. Rear wall small drawer-- 303x100mm - 2 pcs.
20. The facade of drawer large drawer - 386x338mm - 1 pcs.
21. The facade of drawer small drawer- 386x170mm - 2 pcs.
22. Rear wall - 690x385mm (Wood fiber board) - 1 pcs.
23. The botom of the drawer- - 405x329mm - 3 pcs.
24. Basis- 360x80mm - 2 pcs.

Computer table



Fittings

- | | |
|--------------------------------------|-------------------------------|
| 25. The key for Confirmate - 1 pcs. | 31. Washer for screw - 6 pcs. |
| 26. Confirmate 6,3x50 - 35 pcs. | 32. The dowel 8x30 - 30 pcs. |
| 27. Guide rail (400mm) - 4 set | 33. Screw 3,5x16 - 44 pcs. |
| 28. Door knob 96 - 3 pcs. | 34. Door handle screw- 6 pcs. |
| 29. Blanket for Confirmate - 21 pcs. | 35. Nail 1,4x20 - 50 pcs. |
| 30. Corner from plastic 10 pcs. | |

Details

1. Desktop- 1600x1100mm - 1 pcs.
2. Shelf - 448x265mm - 2 pcs.
4. Shelf - 505x400mm - 1 pcs.
5. Planck - 1125x350mm - 1 pcs.
6. Stand right - 740x448mm - 1 pcs.
7. Stand right - 740x448mm - 1 pcs.
8. Stand left - 40x448mm - 1 pcs.
9. Stand left - 40x448mm - 1 pcs.
10. Stand - 740x700mm - 1 pcs.
13. Stand small - 400x100mm - 1 pcs.
14. Anther- right - 265x50mm - 1 pcs.
15. Anther- left 360x50mm - 1 pcs.
16. Side wall of a large drawer- 400x200mm - 2 pcs.
17. Side wall of the small drawer- 400x100mm - 4 pcs.
18. Rear wall large drawer - 303x200mm - 1 pcs.
19. Rear wall small drawer-- 303x100mm - 2 pcs.
20. The facade of drawer large drawer - 386x338mm - 1 pcs.
21. The facade of drawer small drawer- 386x170mm - 2 pcs.
22. Rear wall - 690x385mm (Wood fiber board) - 1 pcs.
23. The botom of the drawer- - 405x329mm - 3 pcs.
24. Basis- 360x80mm - 2 pcs.