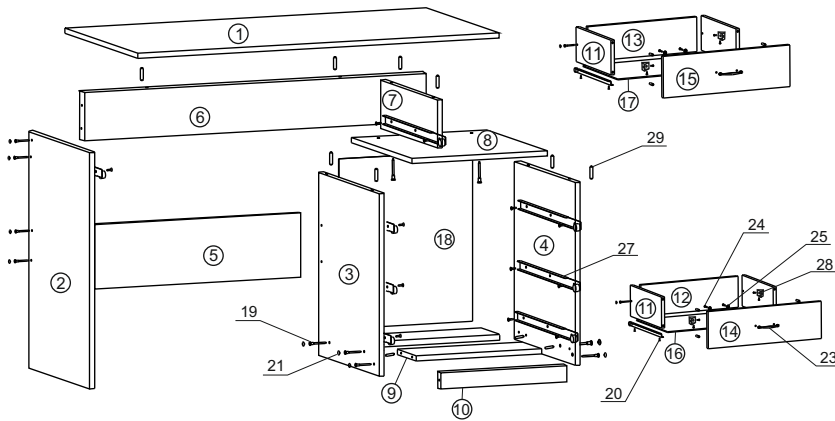


Writing table



Details

1. Desktop- 1200x600mm - 1 pcs.
- 2.Stand - 734x500mm - 1 pcs.
- 3.Stand - 568x500mm - 1 pcs.
- 4.Stand - 568x500mm - 1 pcs.
5. Planck -684x200mm - 1 pcs.
6. Rear wall - 1134x150mm - 1 pcs.
- 7.Stand small - 465x150mm - 1 pcs.
8. Lid of a curbstone 500x450mm - 1 pcs.
9. Lower panel - 418x80mm - 2 pcs.
10. Anther- 418x50mm - 1 pcs.
11. Side of drawer- 450x100mm - 8 pcs.
12. The rear wall of the drawer - 360x100mm - 3 pcs.
13. The rear wall of the drawer - 760x100mm - 1 pcs.
14. The facade of drawer ящика - 412x163mm - 3 pcs.
15. The facade of drawer ящика - 830x143mm - 1 pcs.
16. The bottom of the drawer - 455x388mm - 3 pcs.
17. The bottom of the drawer - 790x455mm - 1 pcs.
18. Rear wall - 530x445mm - (Wood fiber board) - 1 pcs.

Fittings

19. Confirmate 6,3x50 - 26 pcs.
20. Screw 3,5x16 - 48 pcs.
- 21.Blanket for Confirmate - 10 pcs.
22. The key for Confirmate - 1 pcs.
- 23.Door knob 128 - 4 pcs.
24. Screw 4x25 - 8 pcs.
25. Washer for screw - 8 pcs.
26. Nail 1,4x20 - 50 pcs.
27. Guide rail 450mm - 4 pcs.
28. Corner from plastic -8 pcs.
29. The dowel 8x30 - 30 pcs.

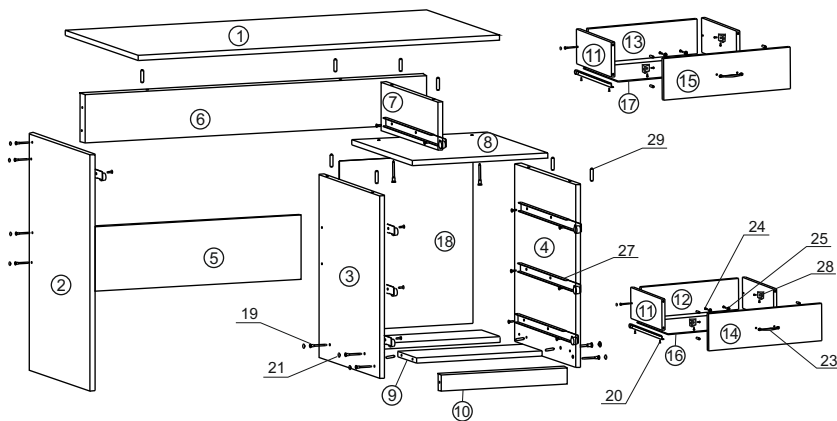
Details

1. Desktop- 1200x600mm - 1 pcs.
- 2.Stand - 734x500mm - 1 pcs.
- 3.Stand - 568x500mm - 1 pcs.
- 4.Stand - 568x500mm - 1 pcs.
5. Planck -684x200mm - 1 pcs.
6. Rear wall - 1134x150mm - 1 pcs.
- 7.Stand small - 465x150mm - 1 pcs.
8. Lid of a curbstone 500x450mm - 1 pcs.
9. Lower panel - 418x80mm - 2 pcs.
10. Anther- 418x50mm - 1 pcs.
11. Side of drawer- 450x100mm - 8 pcs.
12. The rear wall of the drawer - 360x100mm - 3 pcs.
13. The rear wall of the drawer - 760x100mm - 1 pcs.
14. The facade of drawer ящика - 412x163mm - 3 pcs.
15. The facade of drawer ящика - 830x143mm - 1 pcs.
16. The bottom of the drawer - 455x388mm - 3 pcs.
17. The bottom of the drawer - 790x455mm - 1 pcs.
18. Rear wall - 530x445mm - (Wood fiber board) - 1 pcs.

Fittings

19. Confirmate 6,3x50 - 26 pcs.
20. Screw 3,5x16 - 48 pcs.
- 21.Blanket for Confirmate - 10 pcs.
22. The key for Confirmate - 1 pcs.
- 23.Door knob 128 - 4 pcs.
24. Screw 4x25 - 8 pcs.
25. Washer for screw - 8 pcs.
26. Nail 1,4x20 - 50 pcs.
27. Guide rail 450mm - 4 pcs.
28. Corner from plastic -8 pcs.
29. The dowel 8x30 - 30 pcs.

Writing table



Details

1. Desktop- 1200x600mm - 1 pcs.
- 2.Stand - 734x500mm - 1 pcs.
- 3.Stand - 568x500mm - 1 pcs.
- 4.Stand - 568x500mm - 1 pcs.
5. Planck -684x200mm - 1 pcs.
6. Rear wall - 1134x150mm - 1 pcs.
- 7.Stand small - 465x150mm - 1 pcs.
8. Lid of a curbstone 500x450mm - 1 pcs.
9. Lower panel - 418x80mm - 2 pcs.
10. Anther- 418x50mm - 1 pcs.
11. Side of drawer- 450x100mm - 8 pcs.
12. The rear wall of the drawer - 360x100mm - 3 pcs.
13. The rear wall of the drawer - 760x100mm - 1 pcs.
14. The facade of drawer ящика - 412x163mm - 3 pcs.
15. The facade of drawer ящика - 830x143mm - 1 pcs.
16. The bottom of the drawer - 455x388mm - 3 pcs.
17. The bottom of the drawer - 790x455mm - 1 pcs.
18. Rear wall - 530x445mm - (Wood fiber board) - 1 pcs.

Fittings

19. Confirmate 6,3x50 - 26 pcs.
20. Screw 3,5x16 - 48 pcs.
- 21.Blanket for Confirmate - 10 pcs.
22. The key for Confirmate - 1 pcs.
- 23.Door knob 128 - 4 pcs.
24. Screw 4x25 - 8 pcs.
25. Washer for screw - 8 pcs.
26. Nail 1,4x20 - 50 pcs.
27. Guide rail 450mm - 4 pcs.
28. Corner from plastic -8 pcs.
29. The dowel 8x30 - 30 pcs.