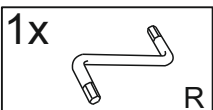
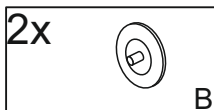
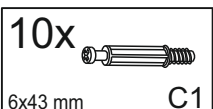
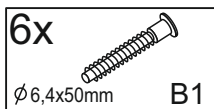
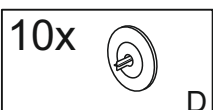
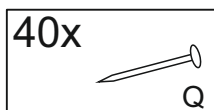
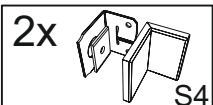
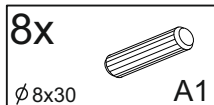
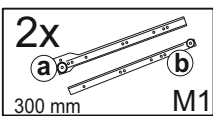
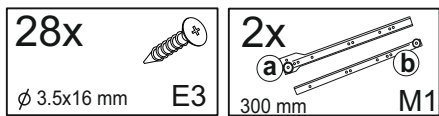
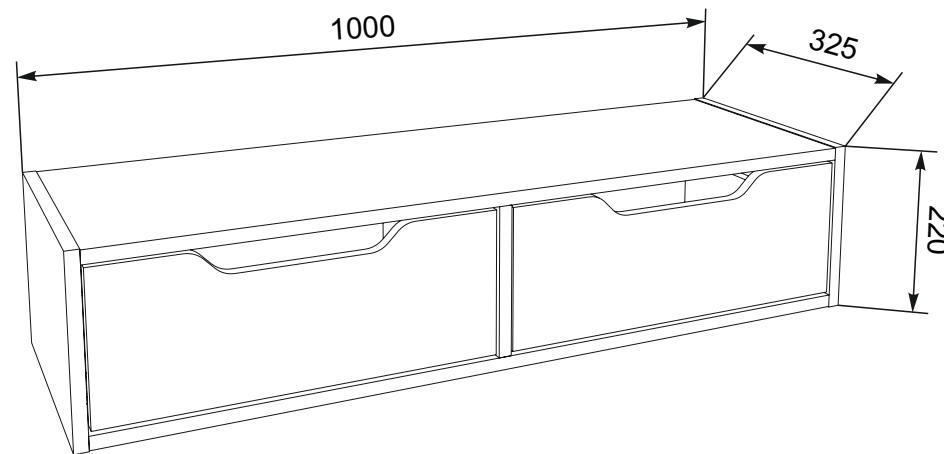
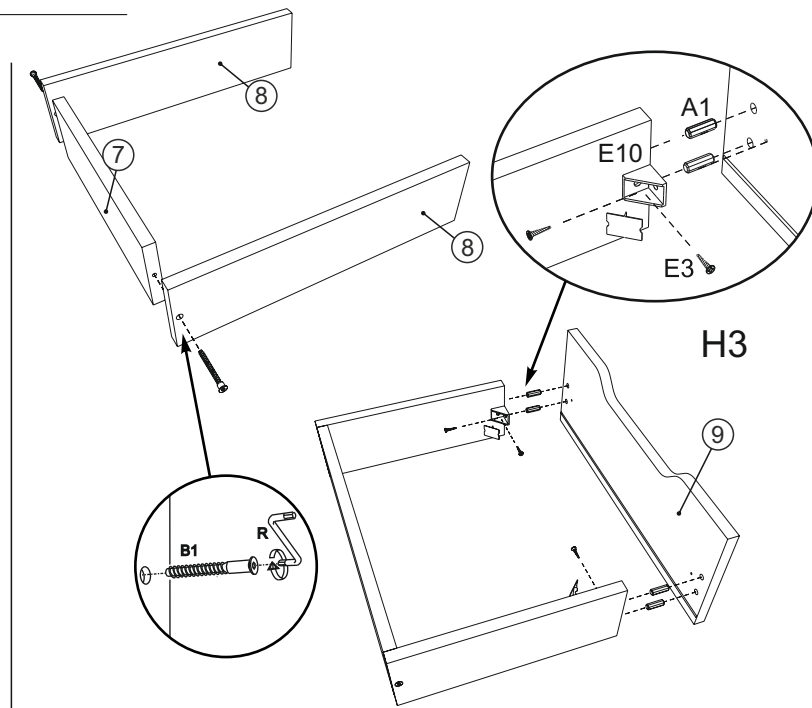
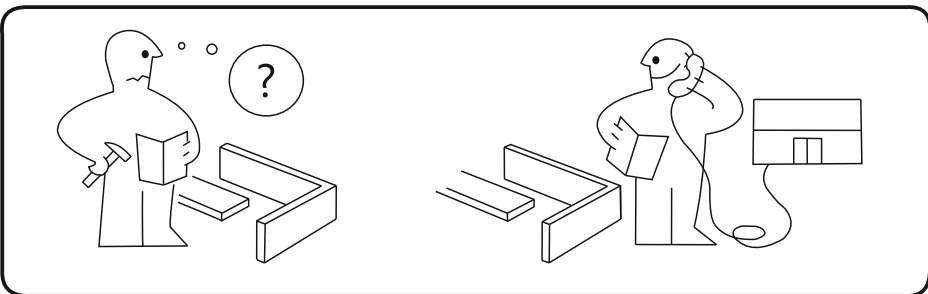
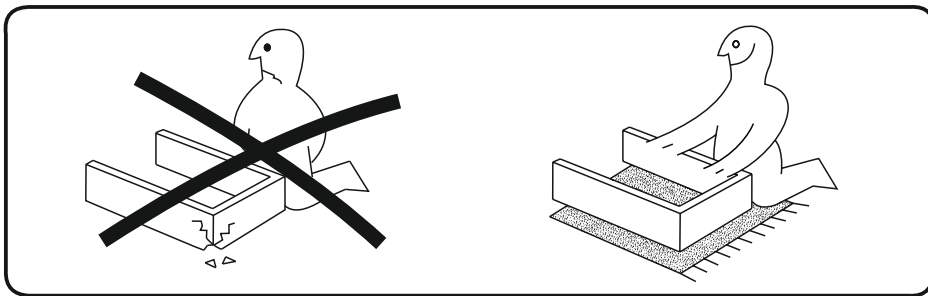
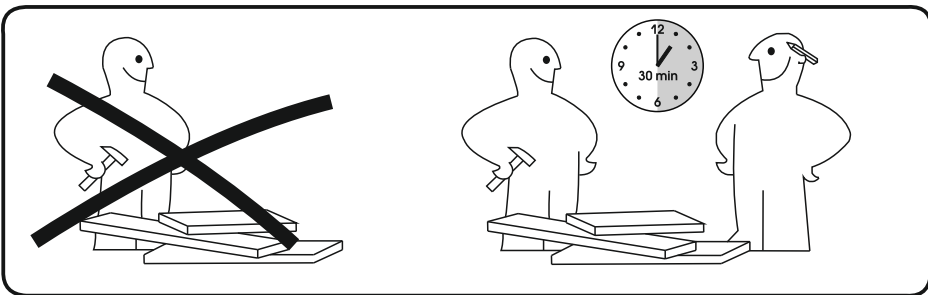
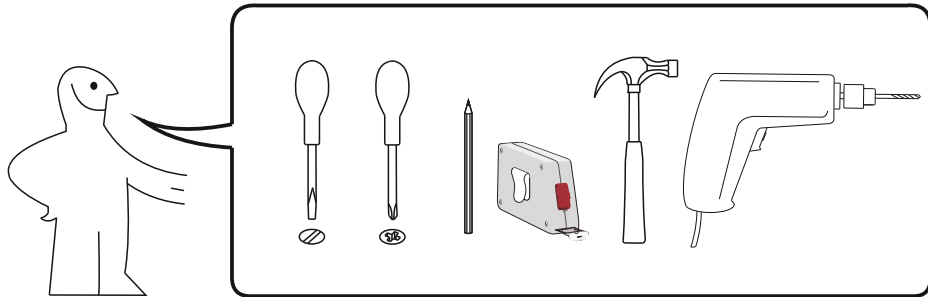


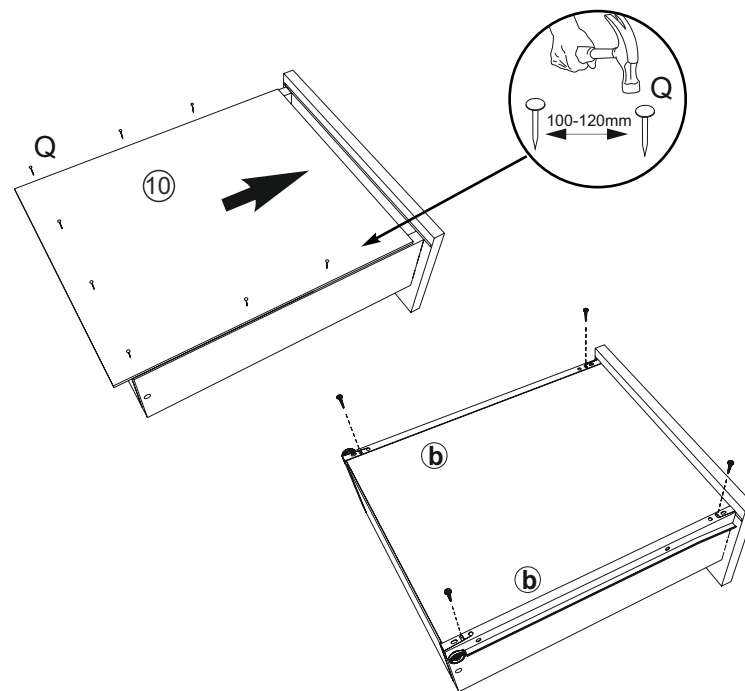
ENG Console mirror



No	axb	x	No	axb	x
1	325x220	1	6	996x214	1
2	325x186	1	7	419x100	2
3	325x220	1	8	300x100	4
4	968x325	1	9	470x178	2
5	968x325	1	10	447x307	2

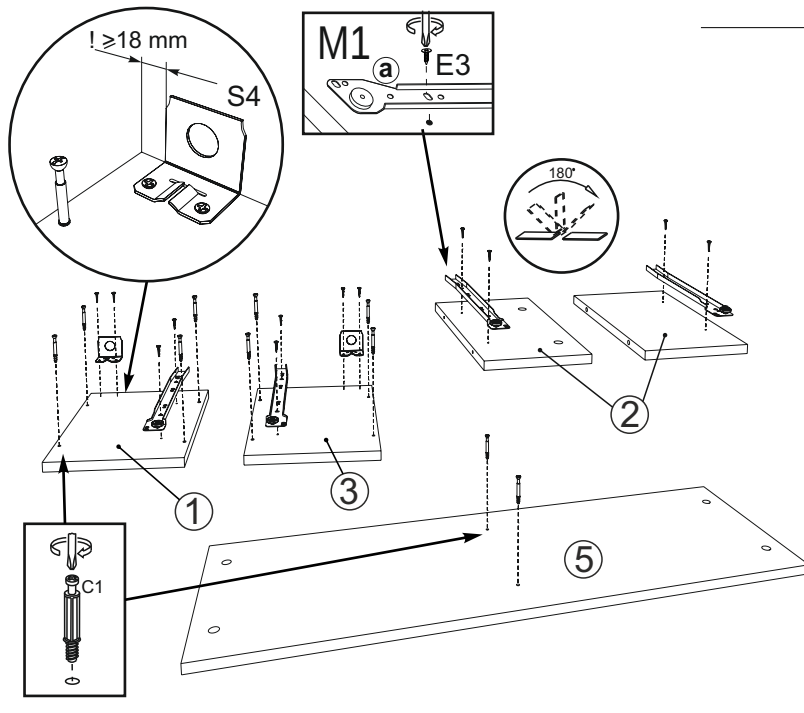


- 1**
- 4x $\phi 3,5 \times 16 \text{ mm}$ E3
 - 2x E10
 - 2x $\phi 6,4 \times 50 \text{ mm}$ B1
 - 1x R
 - 4x $\phi 8 \times 30$ A1



- 2**
- 12x Q
 - 8x $\phi 3,5 \times 16 \text{ mm}$ E3
 - 1x 300 mm M1

3



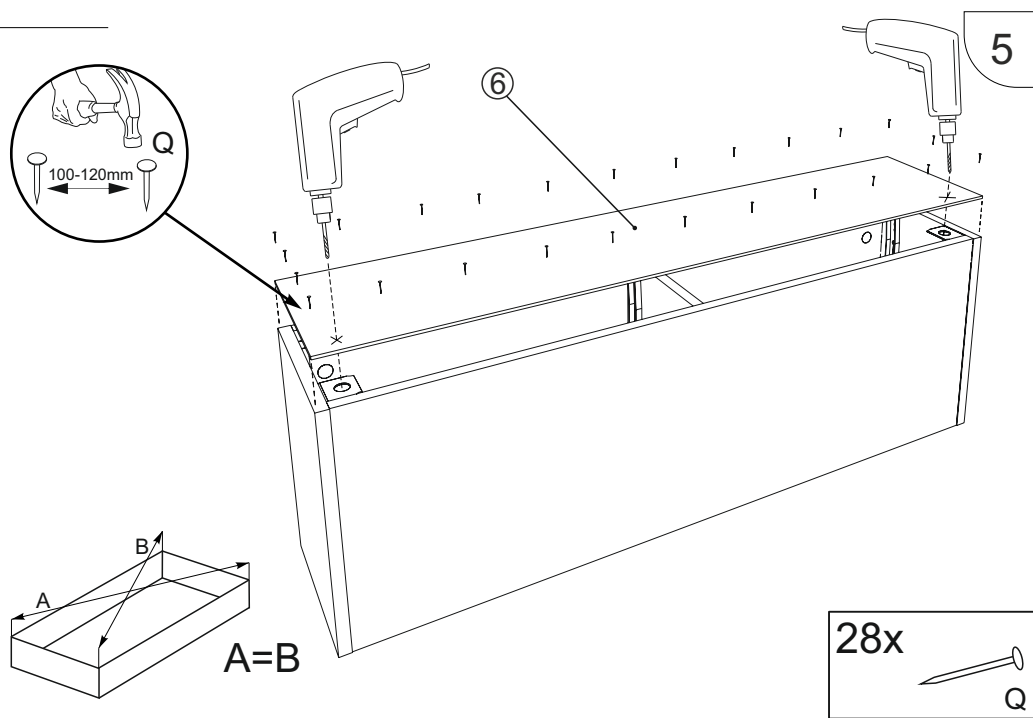
10x
6x43 mm C1

2x
300 mm M1

12x
ø 3.5x16 mm E3

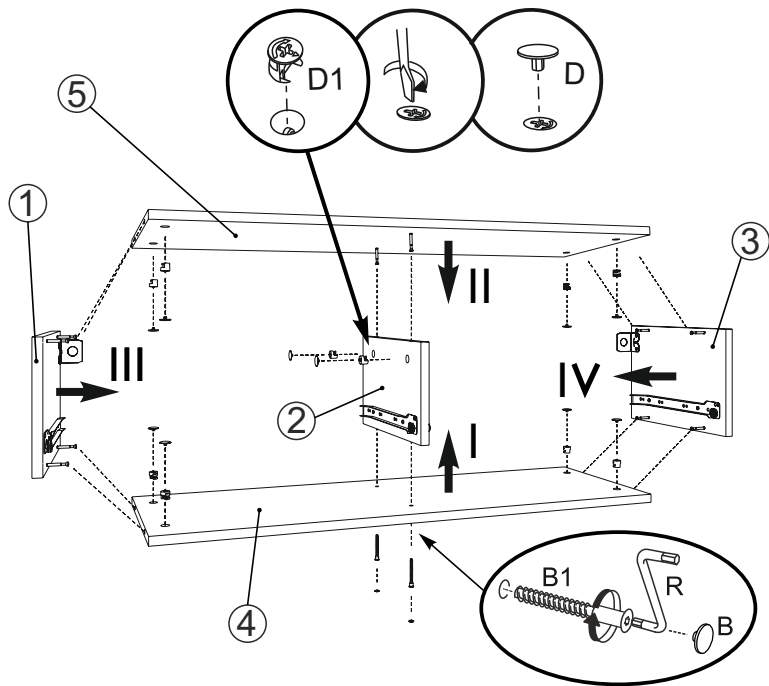
2x S4

5



28x
Q

4



2x B

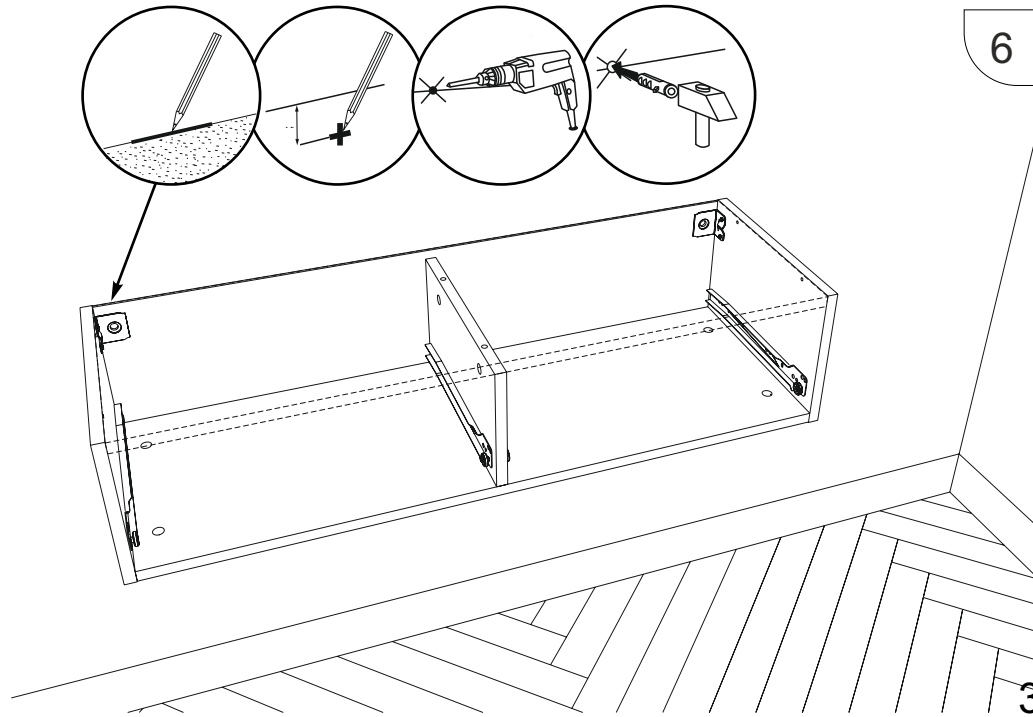
2x
ø 6,4x50mm B1

1x R

10x D

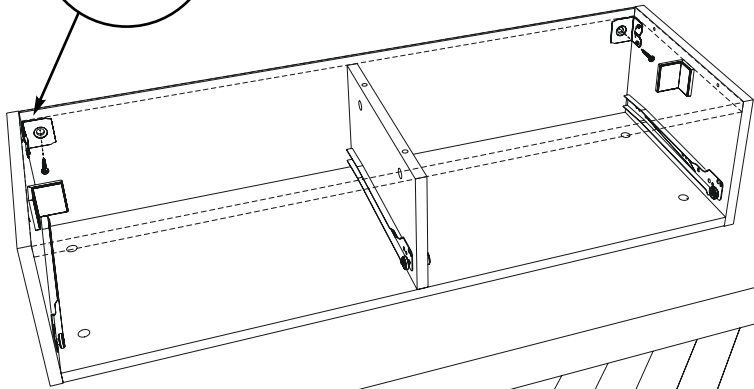
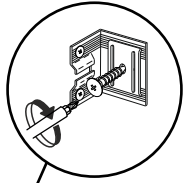
10x
16 mm D1

6



3

7



7

