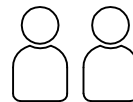


Before starting the assembly need to



2 people



Electric Screwdriver



Philips Screwdriver



Hammer

Dear Customer

This product you have purchased has been subjected to all tests and controls by use before it reaches you. However, your product may have been damaged during transportation or shipped incompletely. Therefore, it is useful to check the current product using the manual before starting the installation. If you encounter a missing or faulty object during the check, define the object using the manual and contact our company. Our officials will provide you with the object you need as soon as possible. You do not need to return the faulty product to our company.

For a successful installation, please provide the auxiliary tools mentioned above.

Before you start, clean every existing item with a damp cloth.

After cleaning the existing parts, arrange them in a suitable area according to their size. Meanwhile, be careful not to rub against each other while moving the pieces and not to hit the corner parts while arranging them.

During installation, carefully review all steps in the manual.

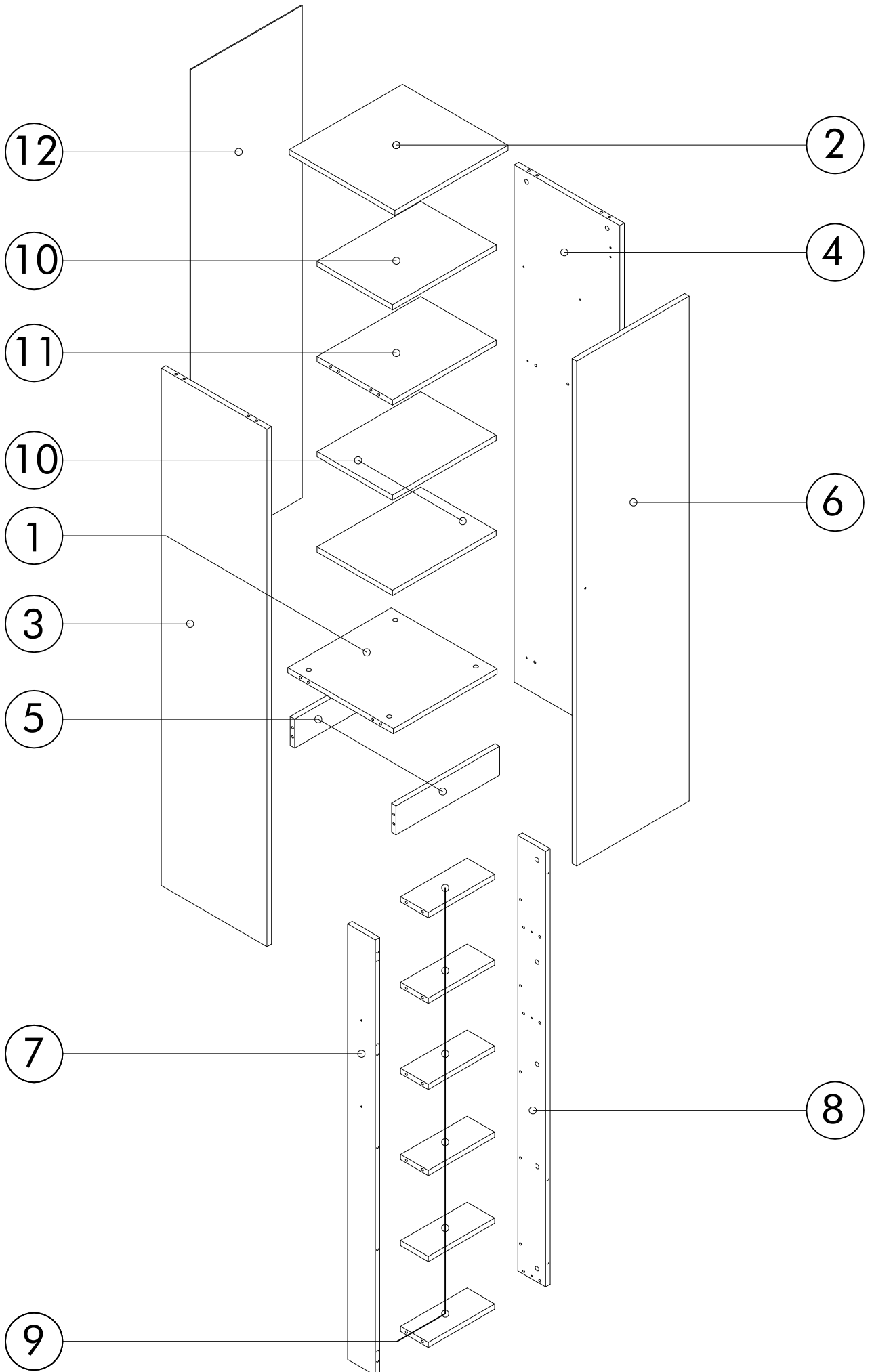
After the installation process is completed, check the integrity of all connection points.

After the assembly, carry the product as 2 people.

Do not expose your product to direct sunlight. Keep away from hot and humid environments. Position your product appropriately considering these issues. In addition, do not load the product with heavy loads that may cause stretching and do not use it outside of its purpose.

You can contact our company about the topics you are curious about.

EXPLODE VIEW

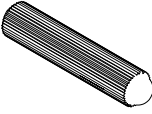



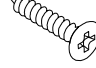
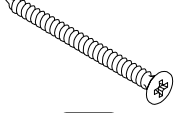

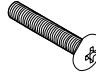
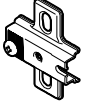
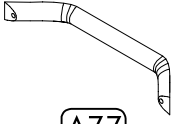
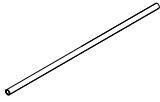
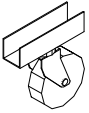
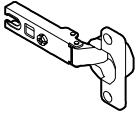



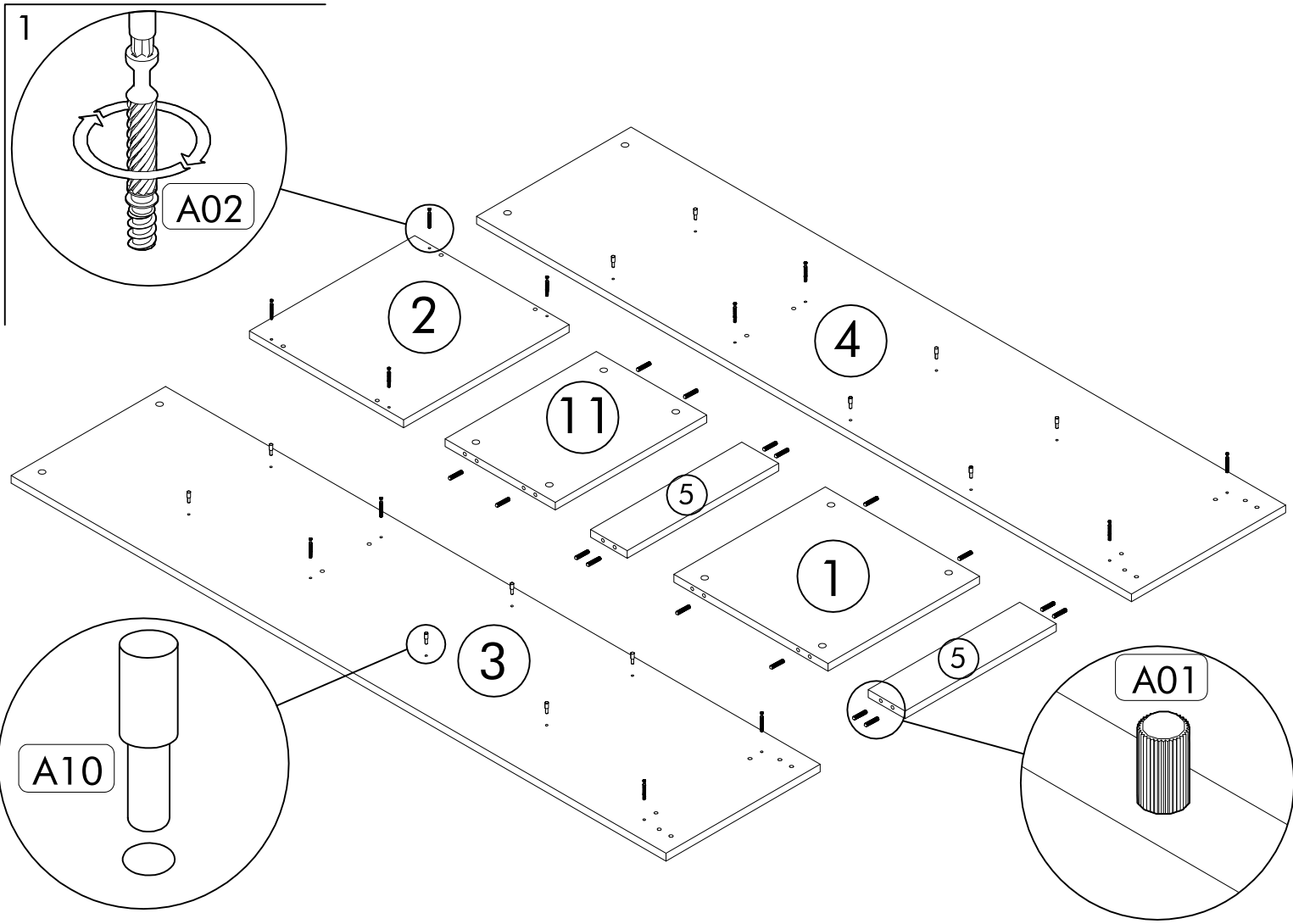
ASSEMBLY

LIST OF PARTS

LIST OF ACCESSORIES

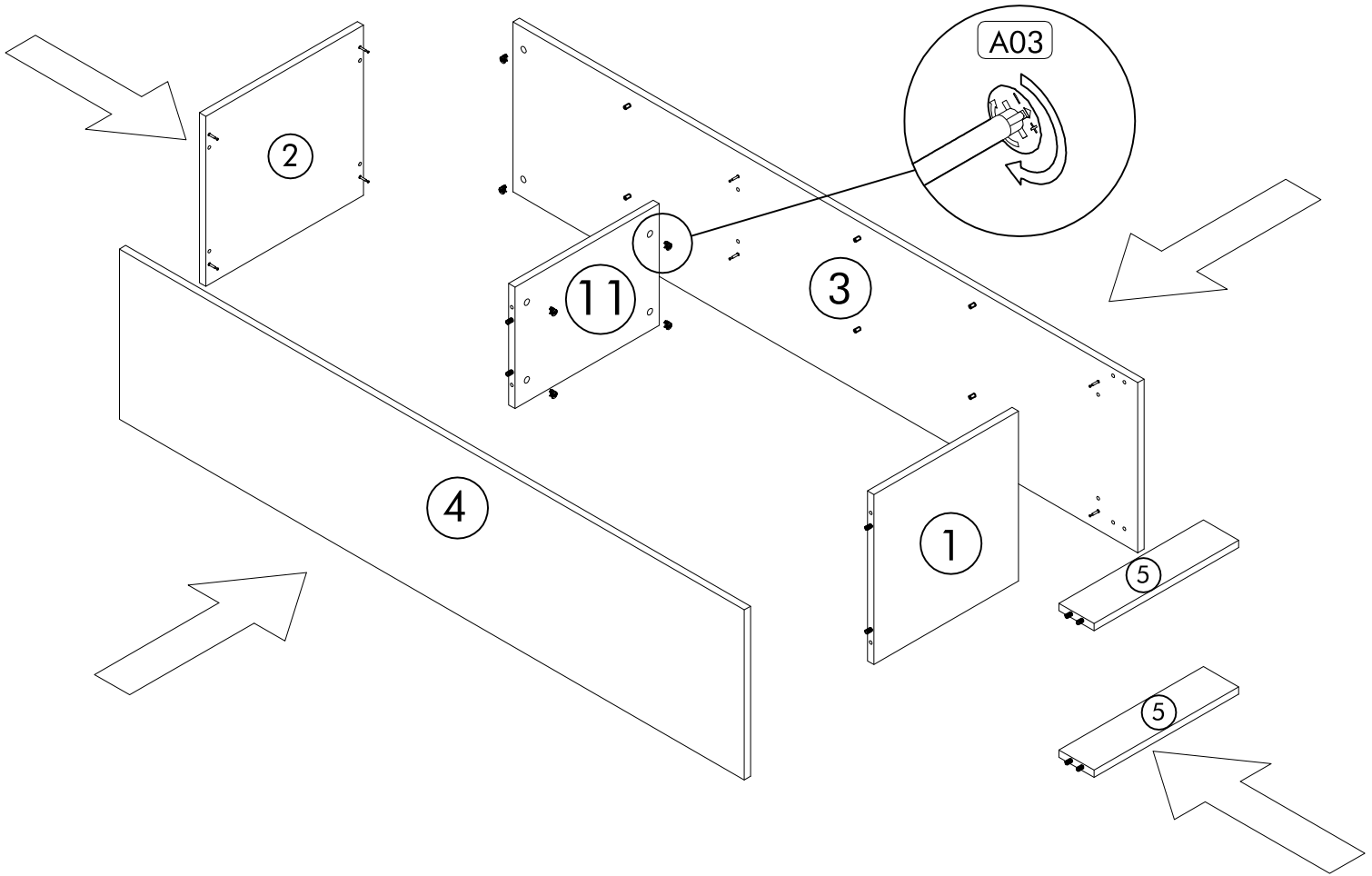
Code	Dimensions	Pieces
01	42 x 41,2 x 1,8 cm	1
02	45 x 42 x 1,8 cm	1
03	178,2 x 42 x 1,8 cm	1
04	178,2 x 42 x 1,8 cm	1
05	41,2 x 10 x 1,8 cm	2
06	173,9 x 44,8 x 1,8 cm	1
07	150 x 11 x 1,8 cm	1
08	150 x 11 x 1,8 cm	1
09	26,4 x 11 x 1,8 cm	6
10	41,2 x 30 x 1,8 cm	3
11	41,2 x 30 x 1,8 cm	1
12	169,6 x 44,4 x 0,3 cm	1

x54  A01	x22  A02	x22  A03
x44  A05	3,5x18 x18  A06	4x50 x12  A08
x12  A10	x2  A11	x4  A12
x1  A77	x5  A179	x1  A180
x4  A13	x12  A46	

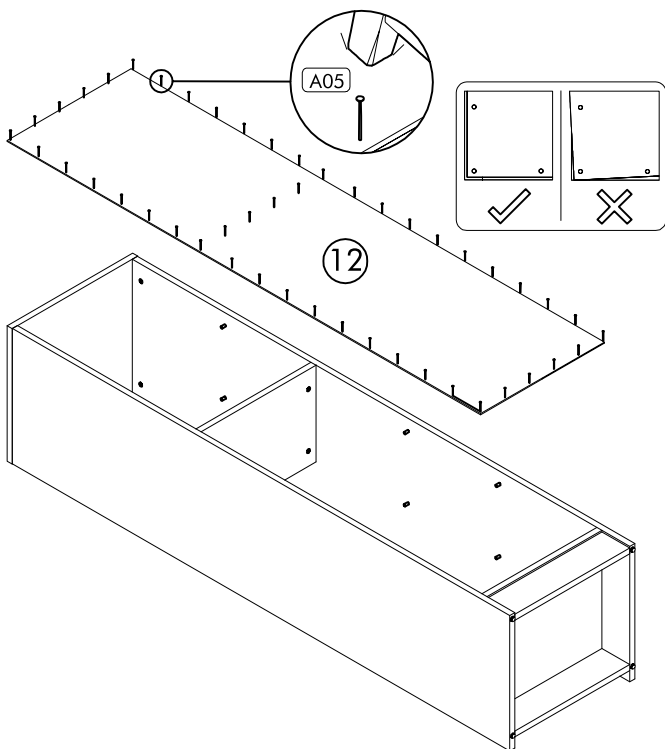


ASSEMBLY

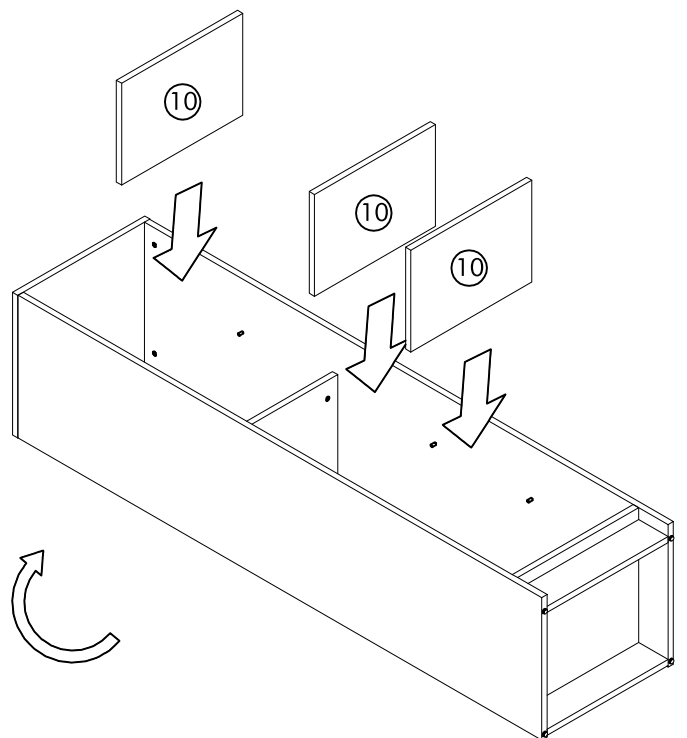
2



3

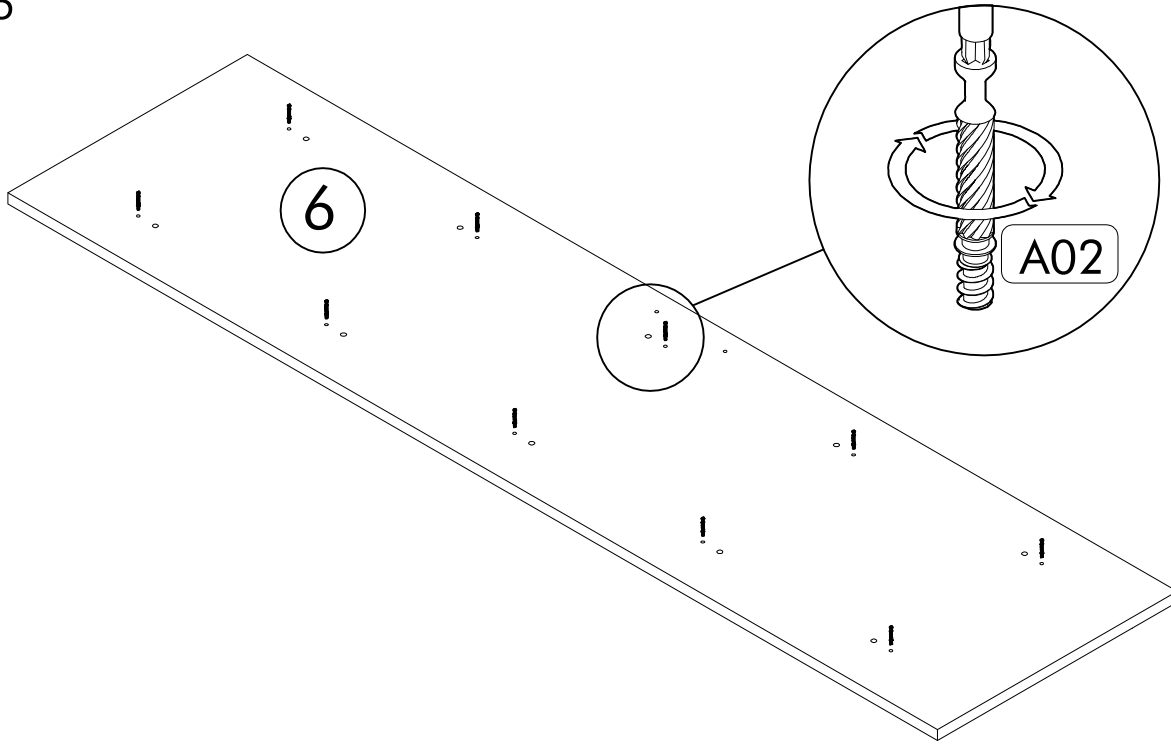


4

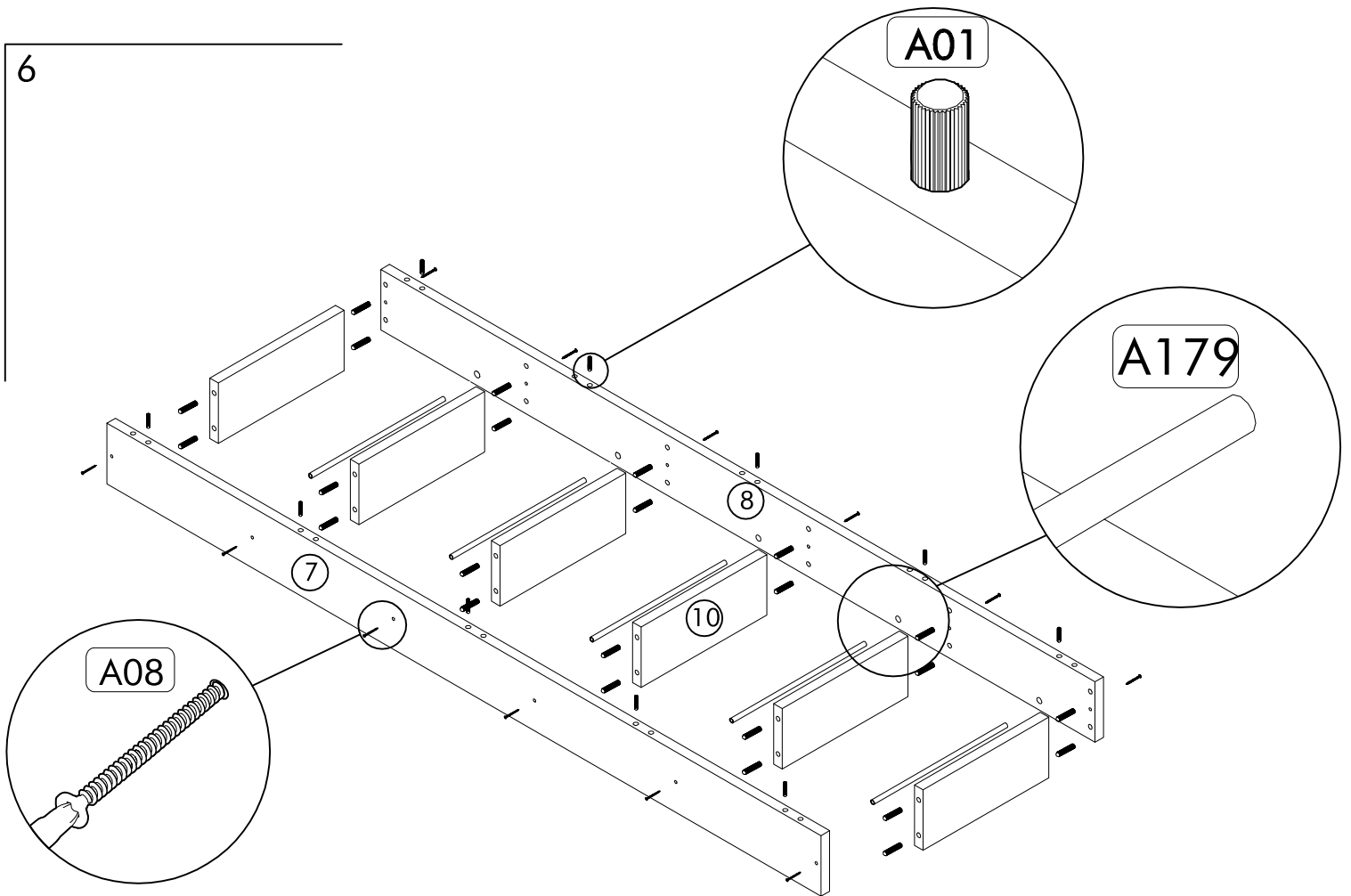


ASSEMBLY

5

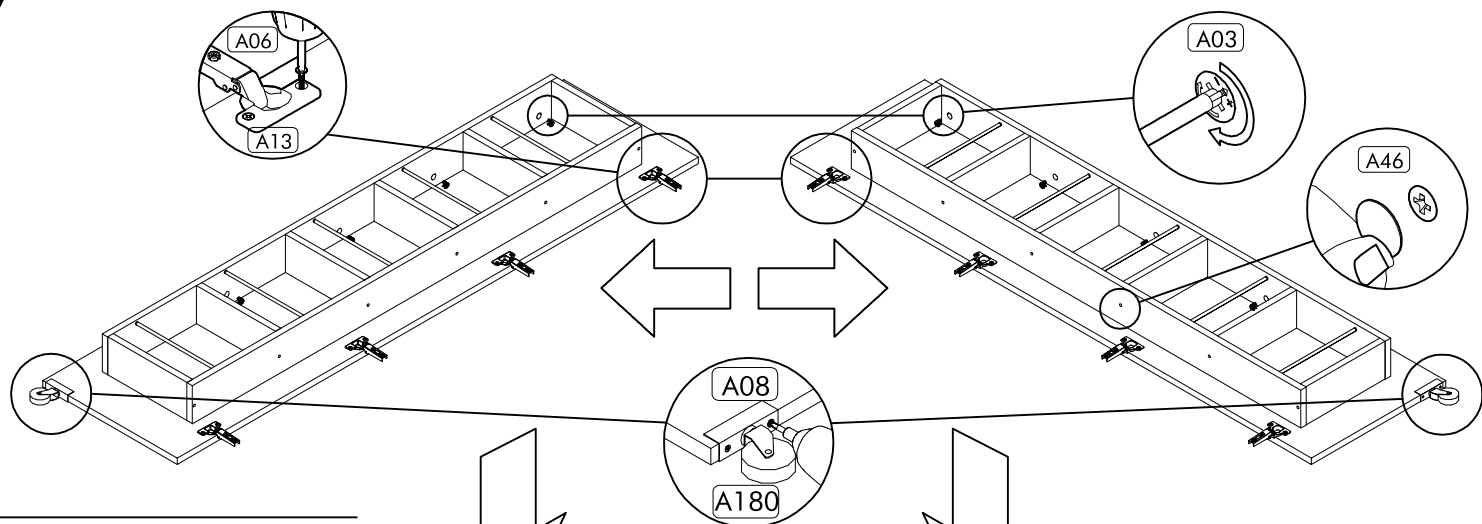


6

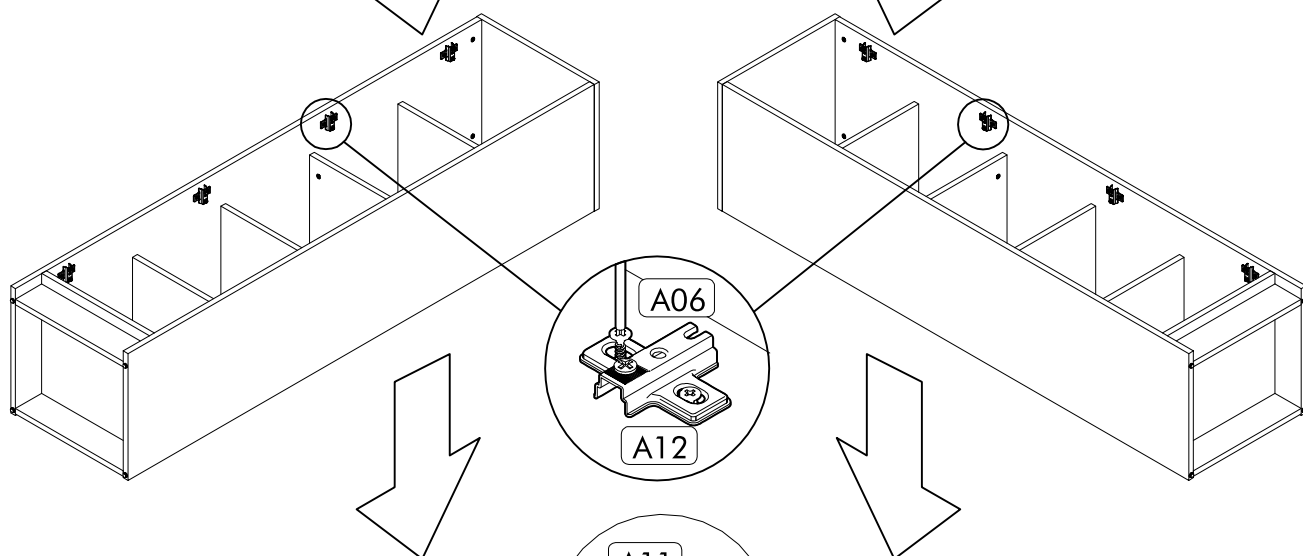


ASSEMBLY

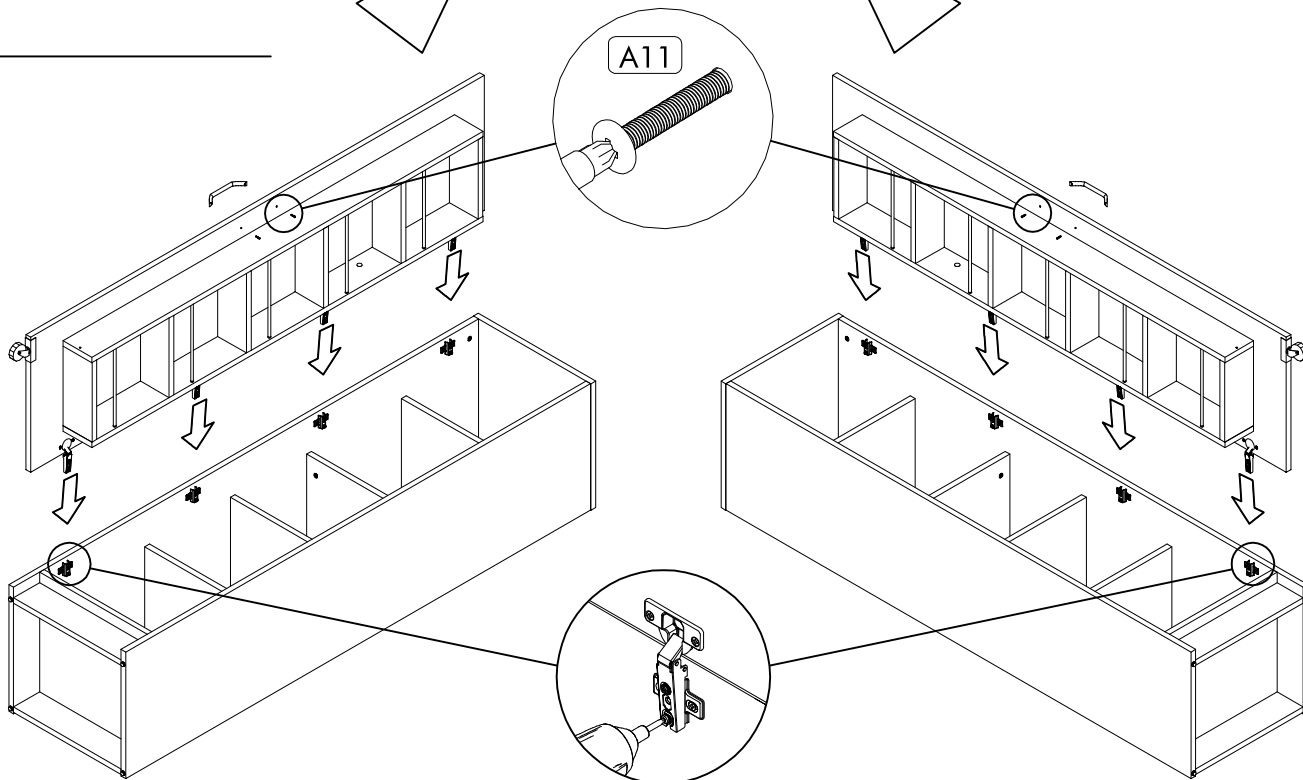
7



8



9



10

Door settings

