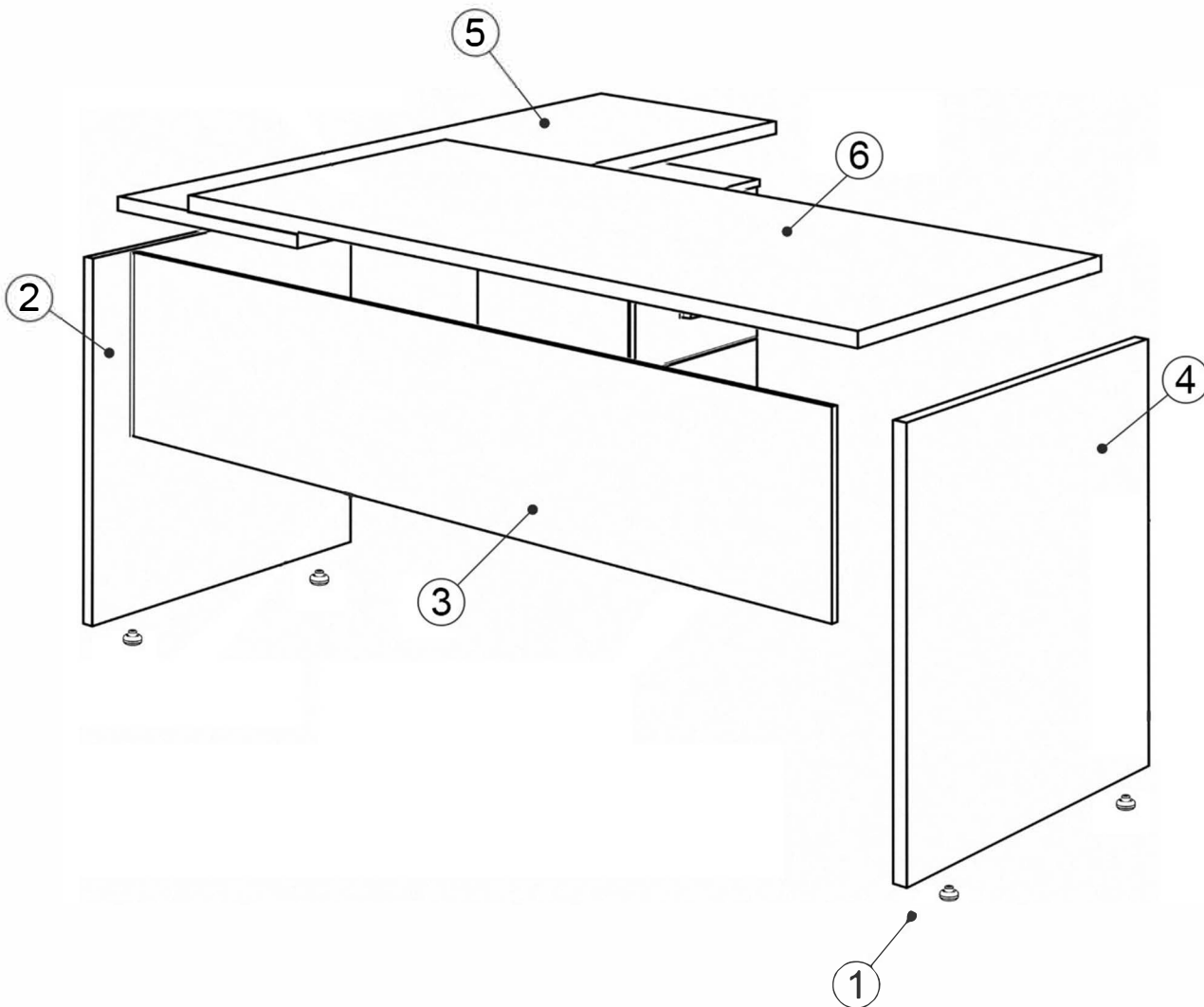


DESK INSTALLATION INSTRUCTION



Note1: Drawer is already assembled. Just attach the casters and the handles.

Note2: Drawer handles must be attached to the holes that already have been opened.

1: Bases (No1) must be attached underneath the sides (No2 and No4).

2: No2 component which is shorter than No4, must be in the same side with the drawer.

3: First, the front panel (No3) must be attached to the shorter side (No2), after front panel must be attached to the longer side (No4.)

4: Return table (No5) must be attached onto the shorter side (No2) and to the front panel (No3). After, the screws underneath the side table must be tightened.

5: Top table (No6) must be placed on the side table (No5) and to the longer side (No4). After, the screws must be tightened.