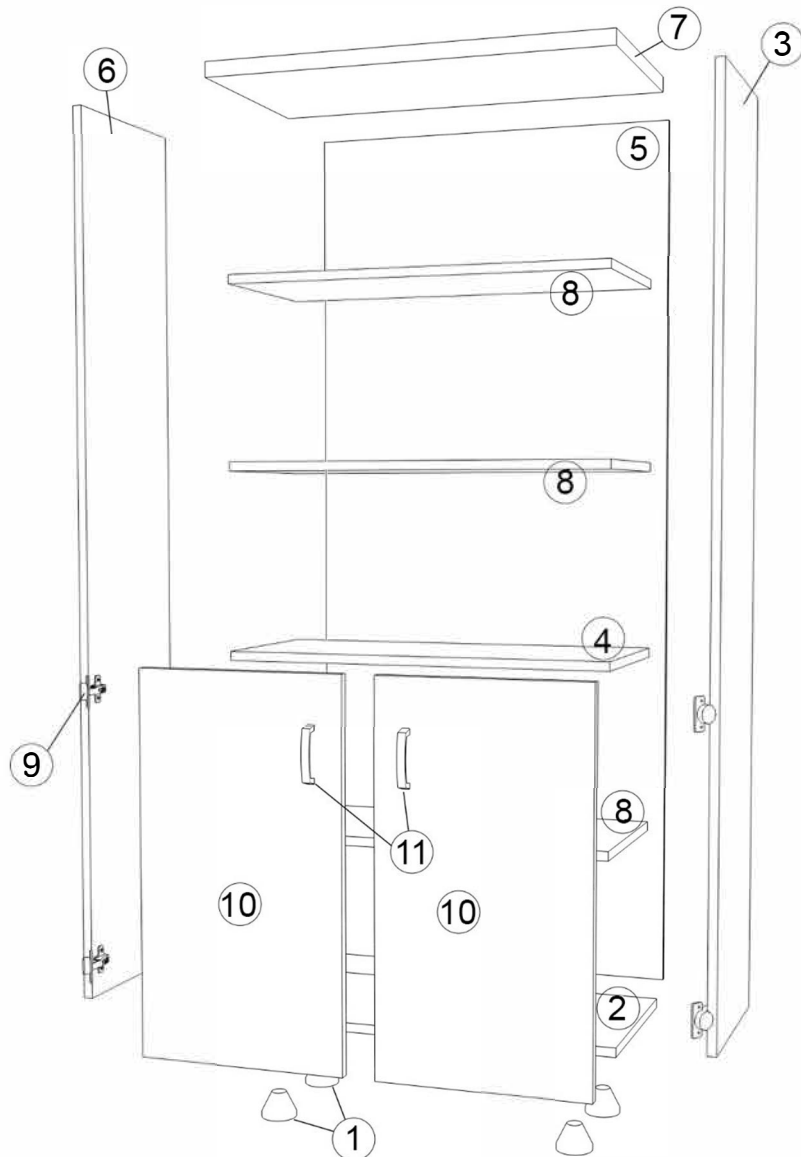


CABINET INSTALLATION INSTRUCTION



- 1: Bases (No1) must be attached to the bottom table (No2).
- 2: The side table (No3) must be placed onto the bottom table (No2).
- 3: Fixed middle shelf table (No4) must be attached to the side table (No3).
- 4: Back table (No5) must be placed onto the bottom table (No2). After, the side table (No3) must be connected to the back table (No5).
- 5: The second side table (No6) must be placed on the bottom table (No2). After, the second side table (No6) must be fixed to the middle shelf table (No4) and to the bottom table (No2).
- 6: The top of the table (No7) must be placed onto the side tables (No6 and No3).
- 7: Adjustable shelf tables (No8) must be put in their own places that are shown on the scheme.
- 8: Hinges (No9) must be attached to the side tables (No3 and No6).
- 9: Doors of the cabinet (No10) must be placed in their own place and they need to be attached to the hinges (No9).
- 10: Handles (No11) must be placed in the holes that have been opened already.