



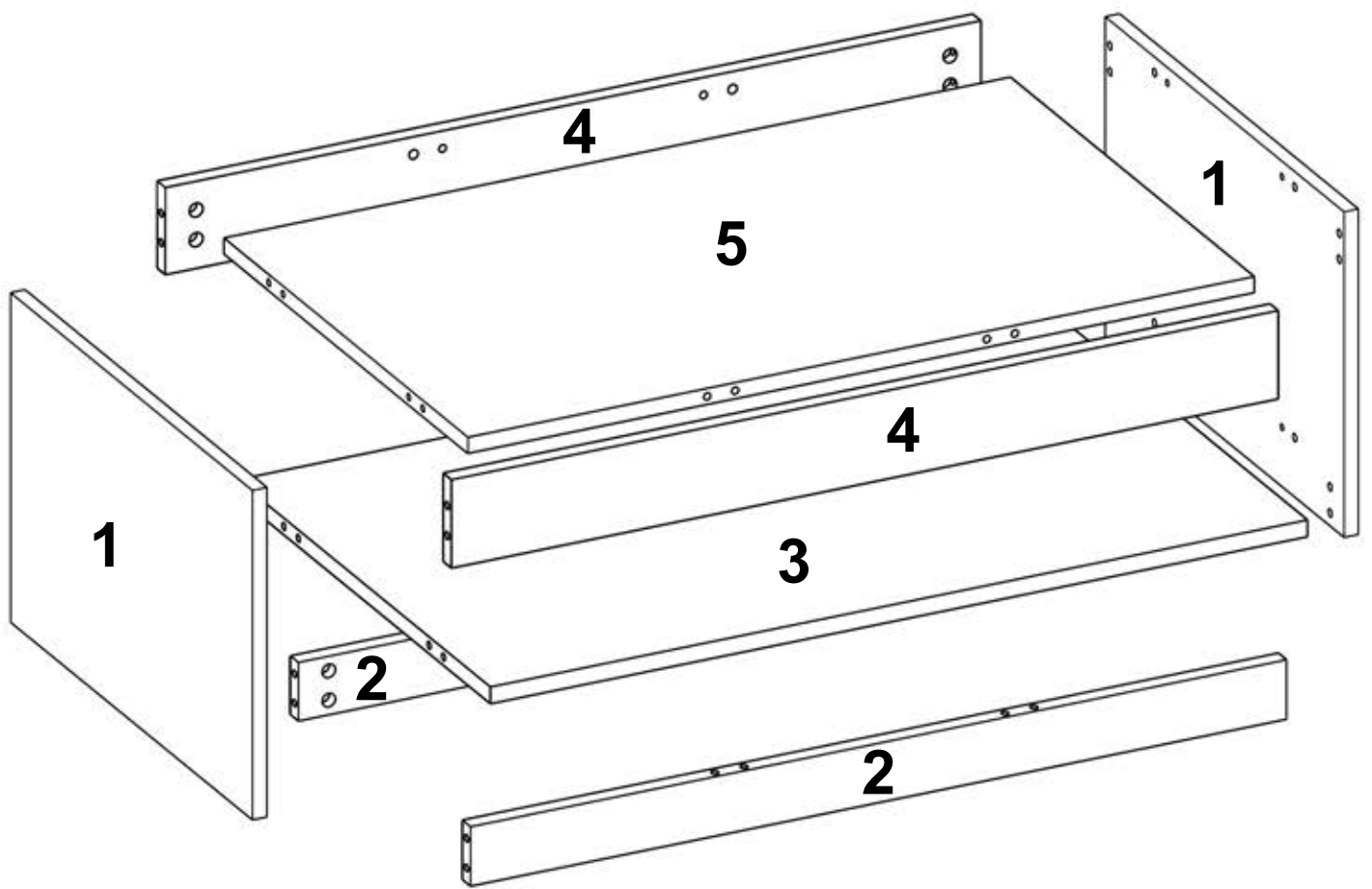
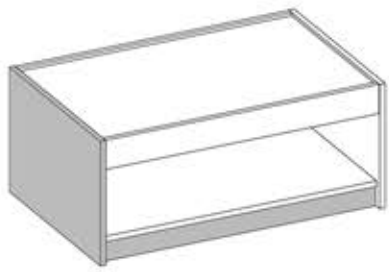


<p>1</p>  <p>B0501 x32</p>	<p>1</p>  <p>B0502 x32</p>	<p>1</p>  <p>B0503 x16</p>	<p>1</p>  <p>B0504 x32</p>
--	--	--	---





B0502



x4

B0504

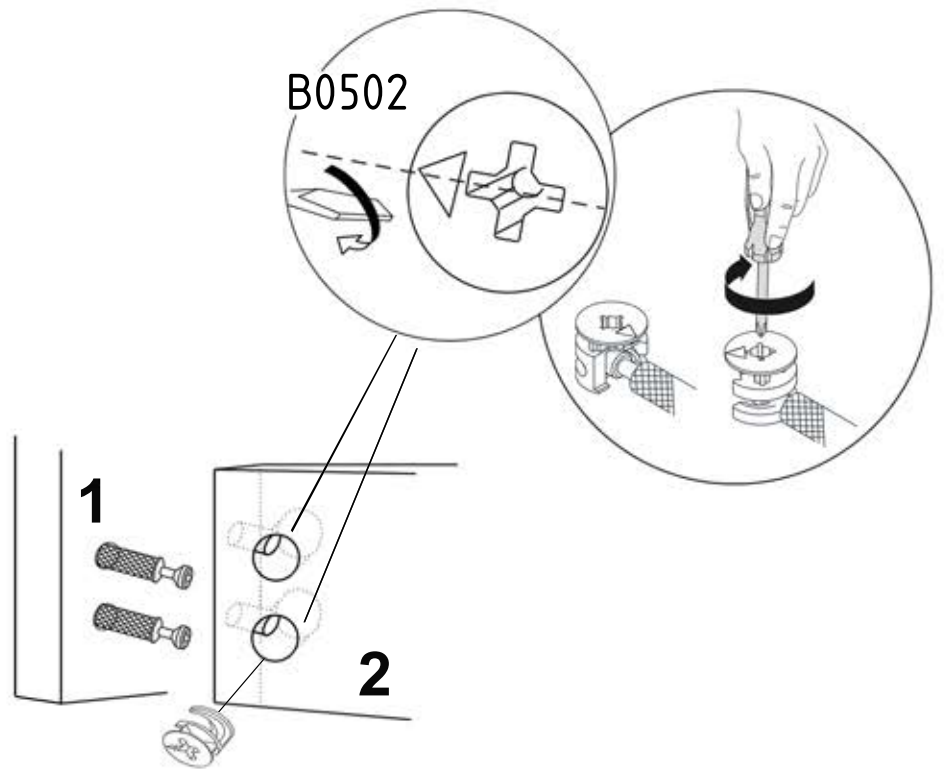
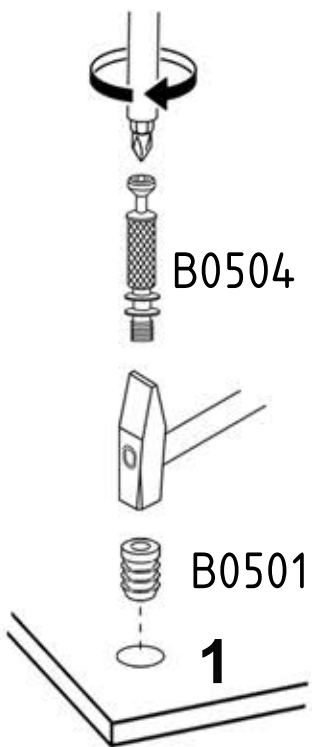
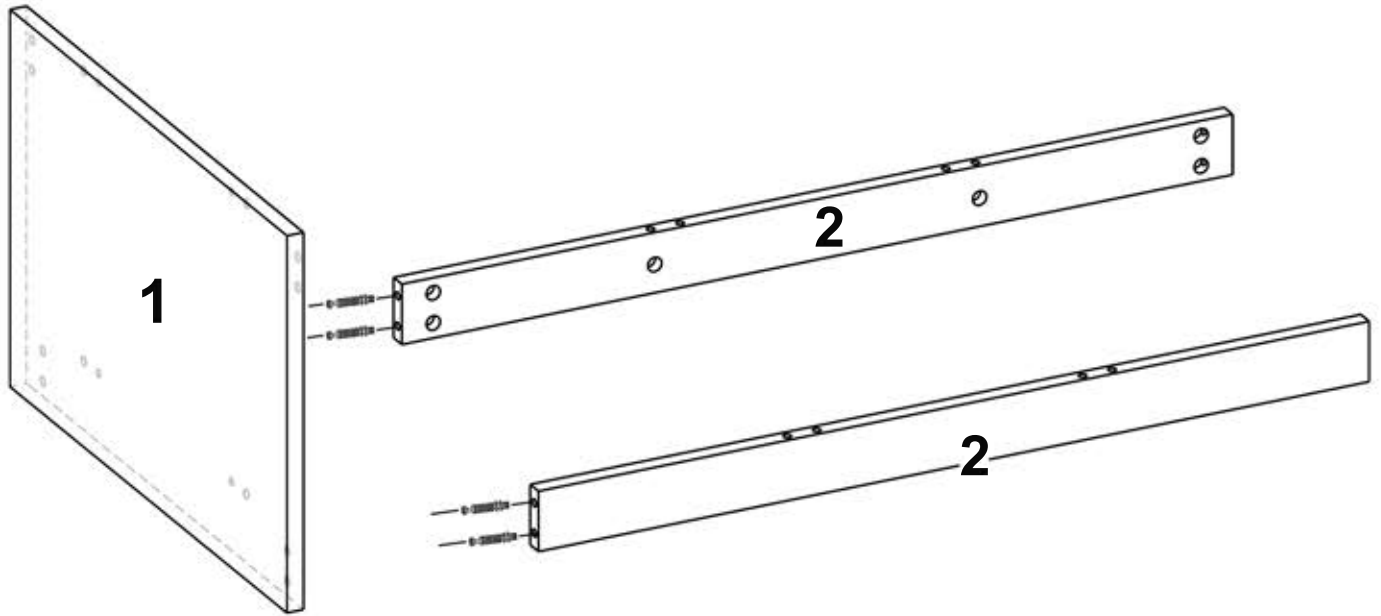
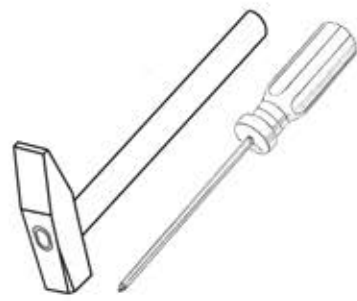


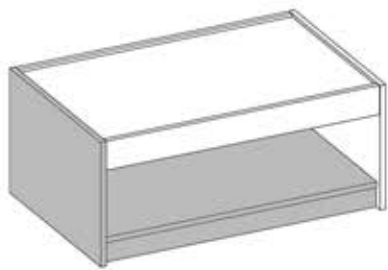
x4

B0501



x4





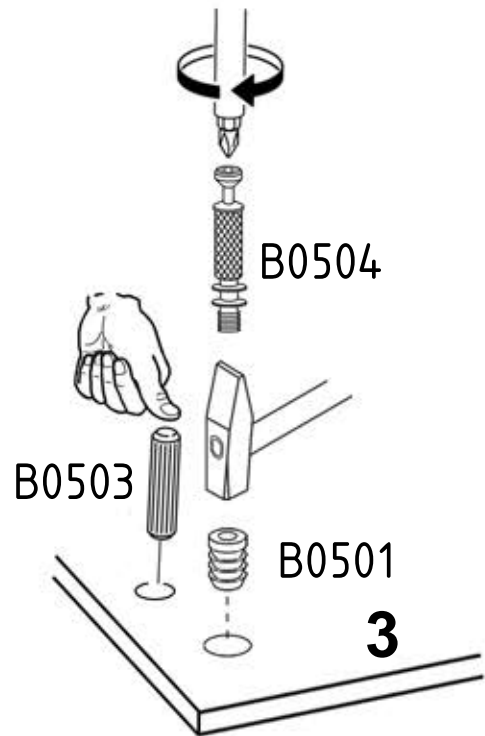
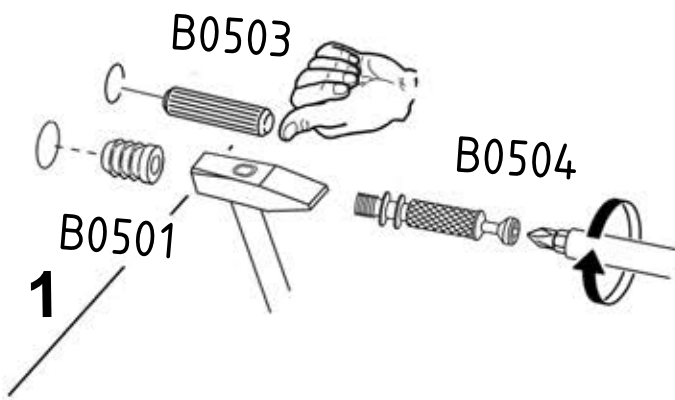
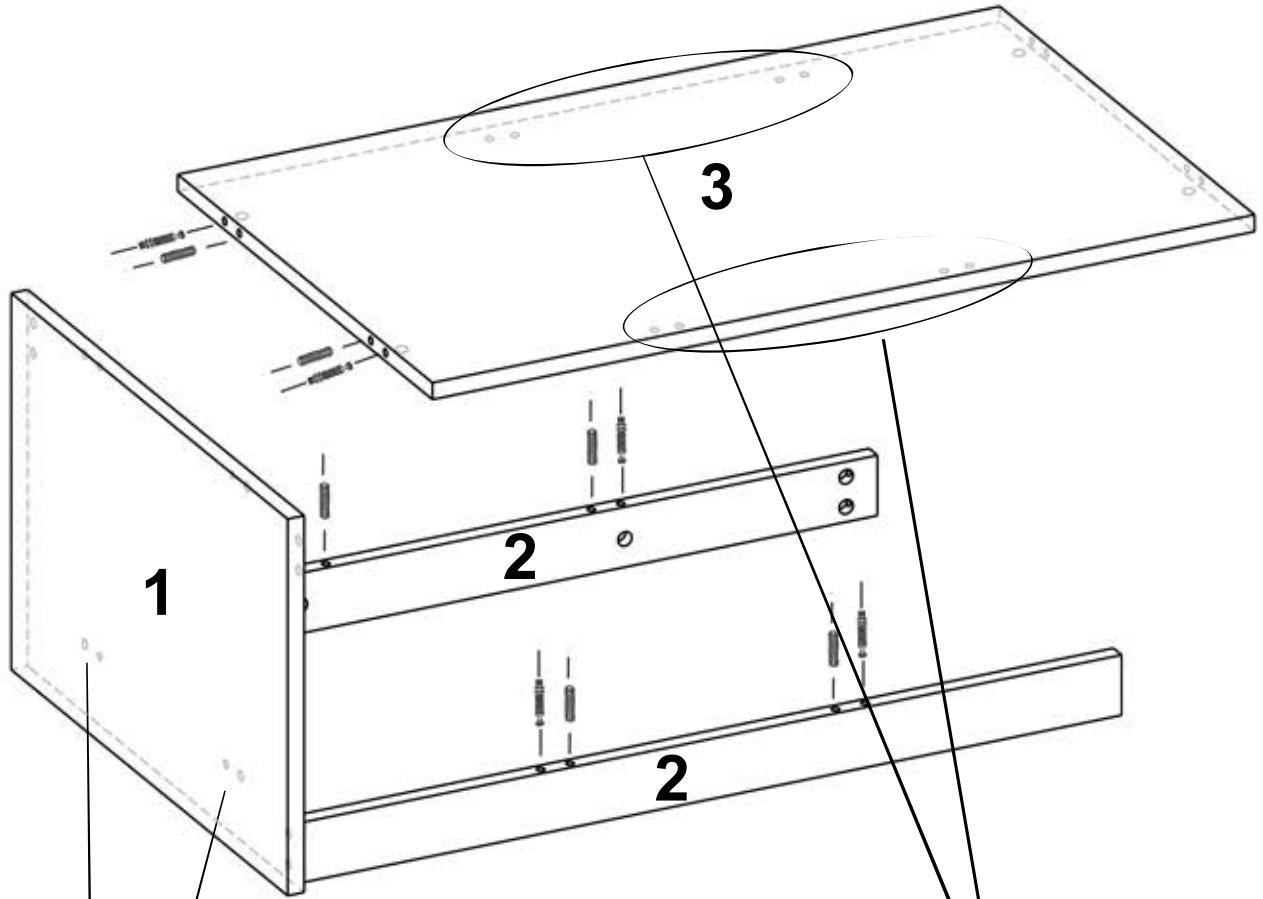
B0501 B0503 B0504

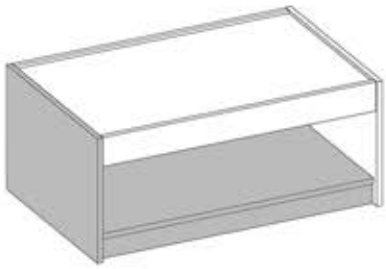


x6

x6

x6

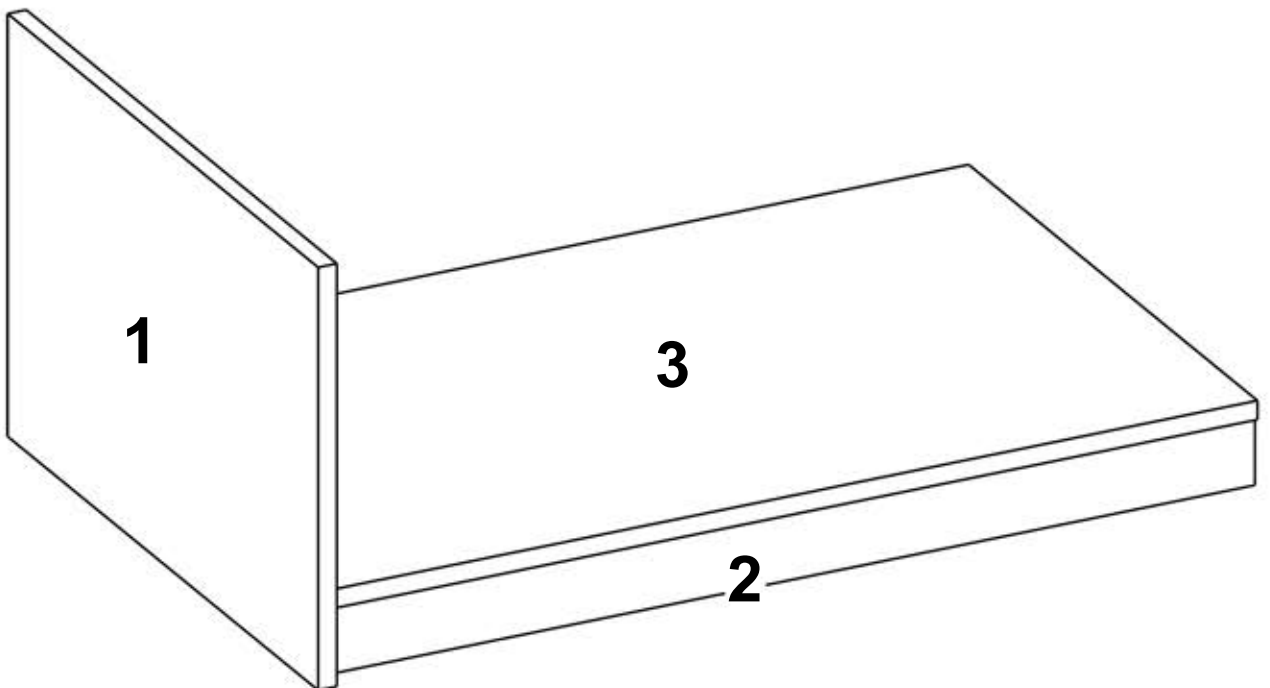
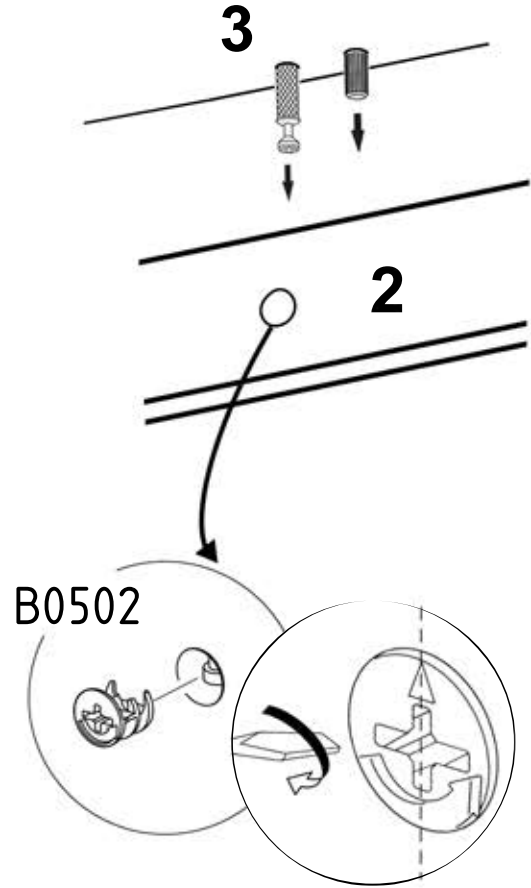
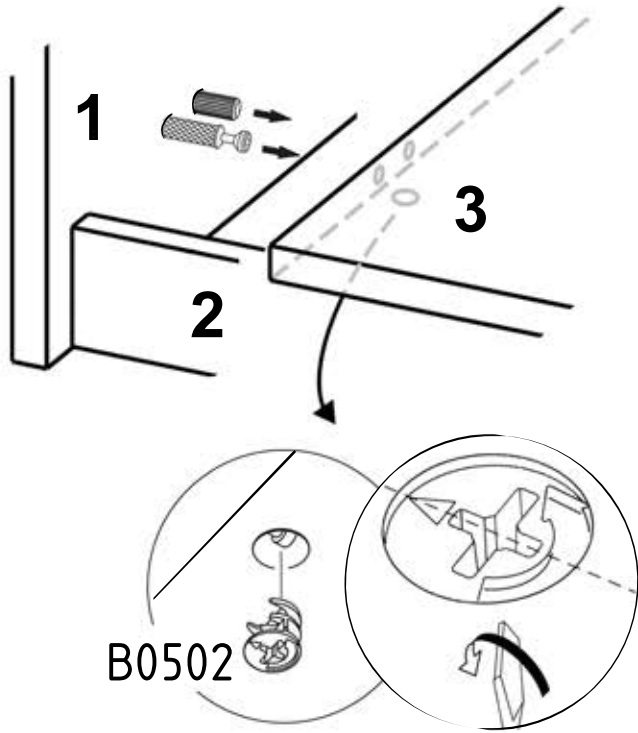


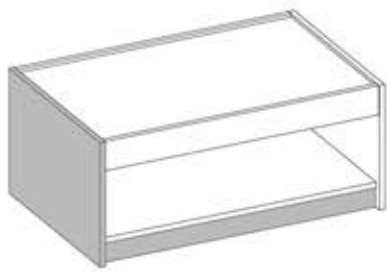


B0502



x6





B0502



x4

B0504

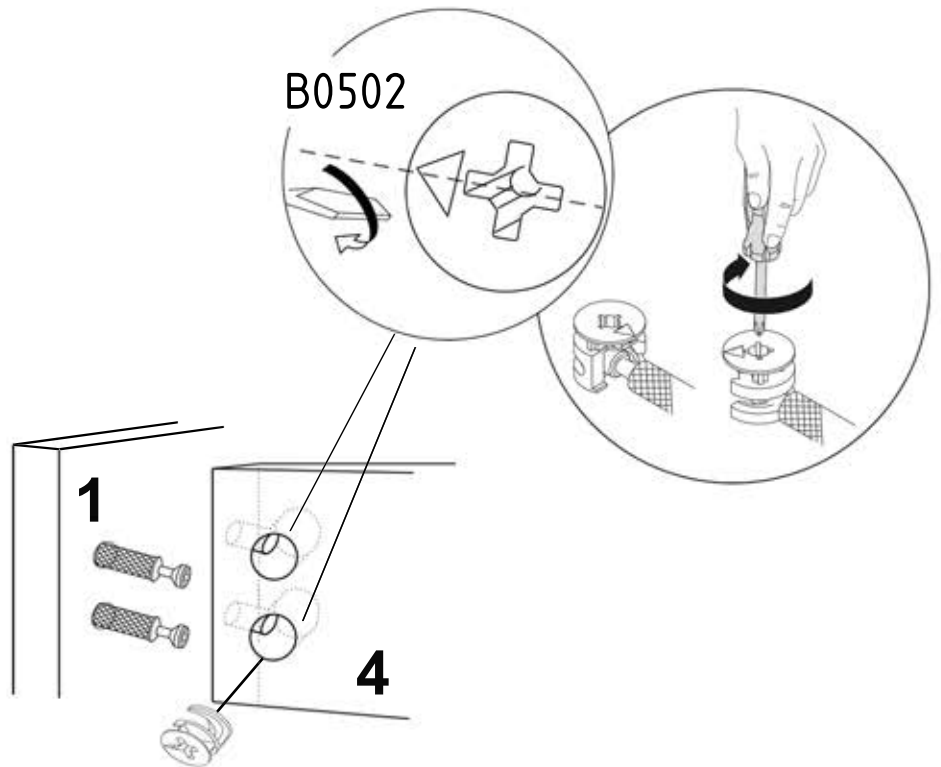
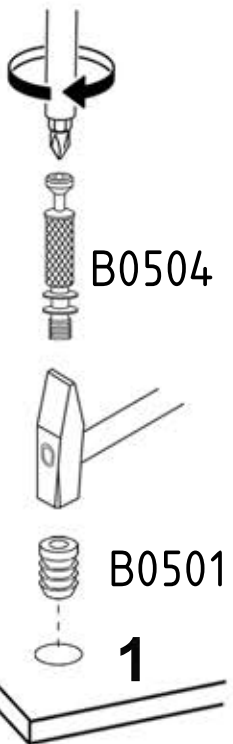
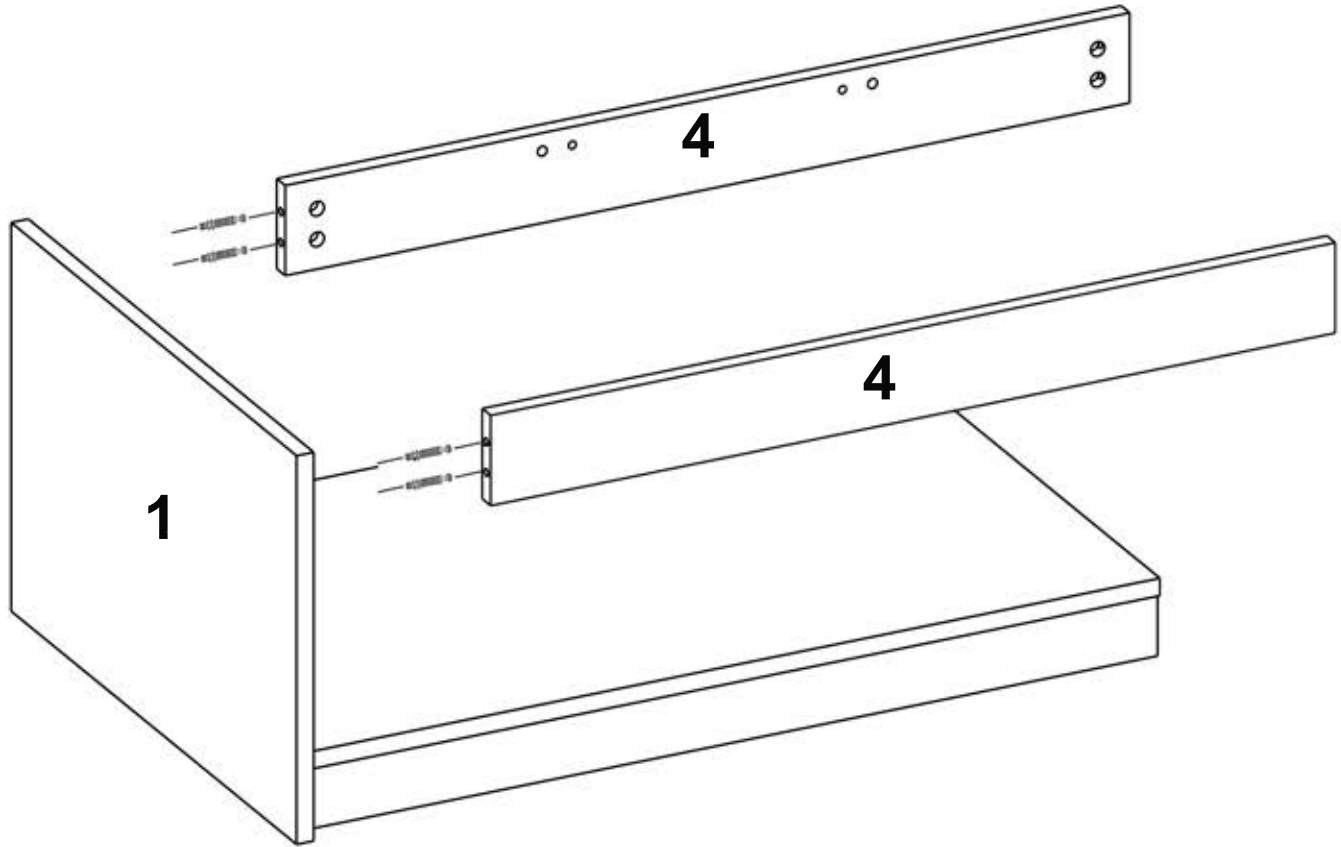
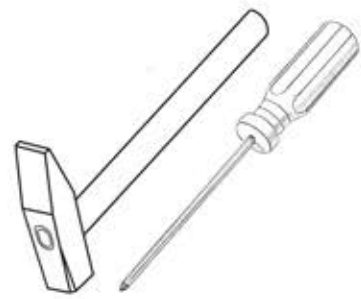


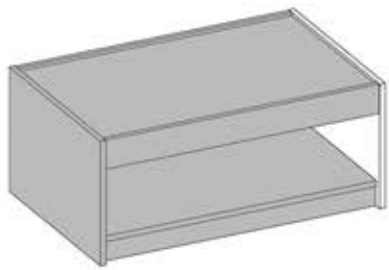
x4

B0501



x4





B0502

B0503

B0504

B0501

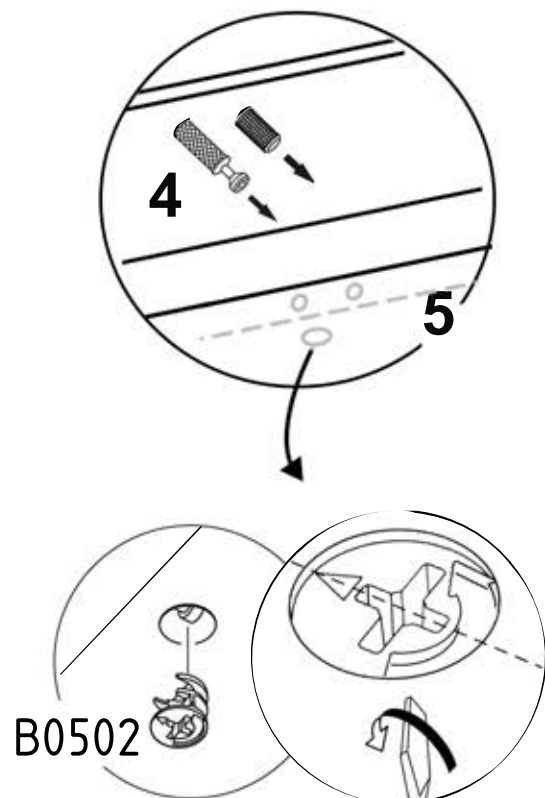
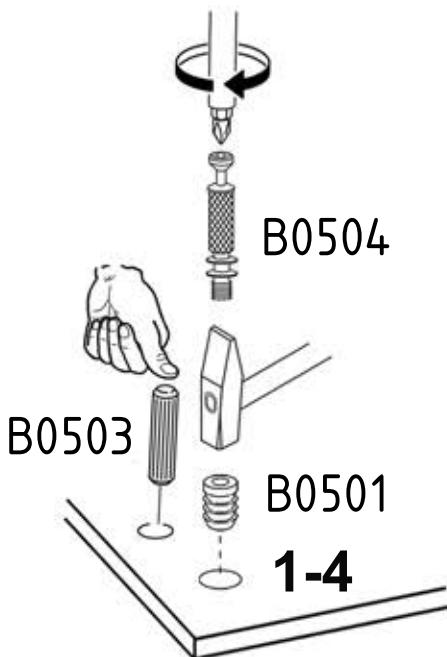
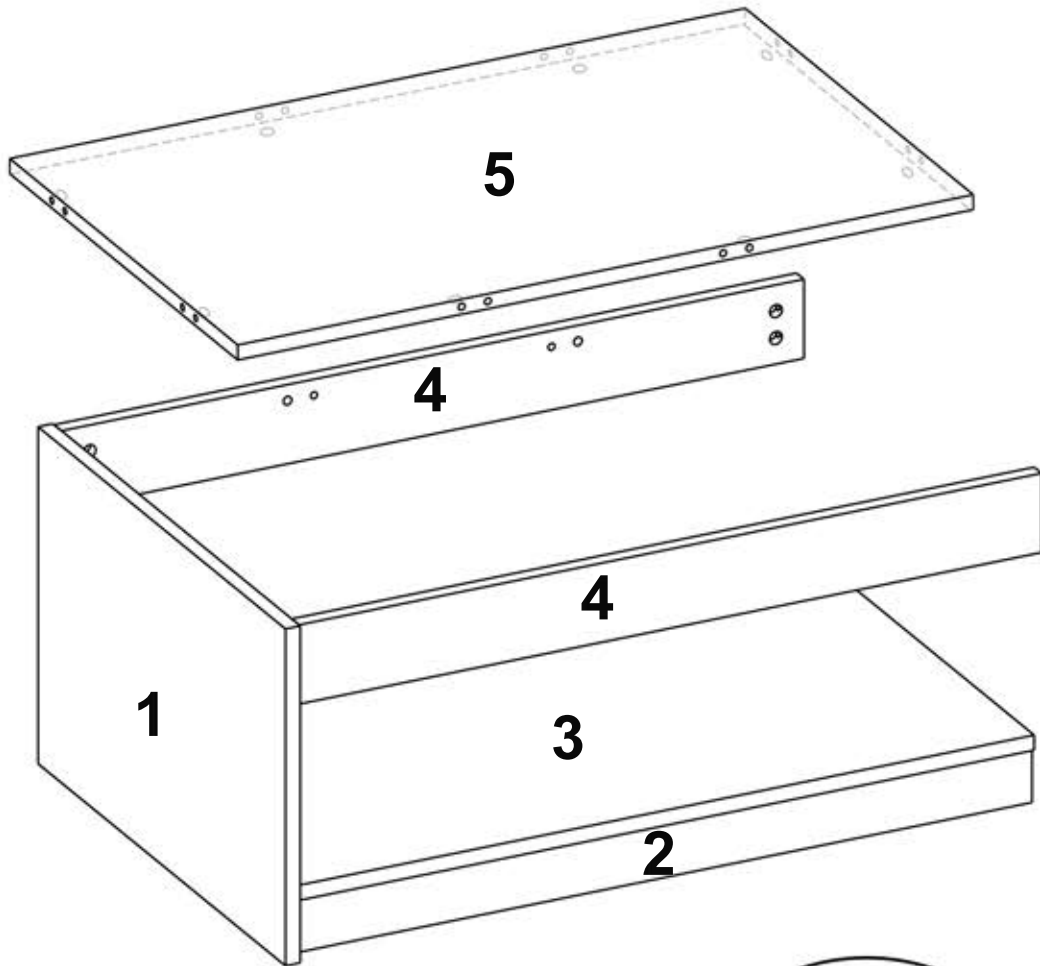
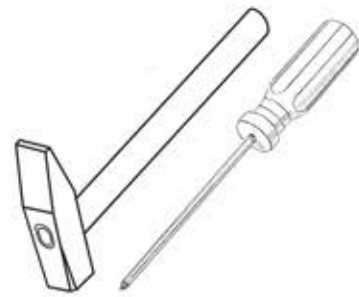


x6

x6

x6

x6





B0502

B0503

B0504

B0501



x12

x4

x12

x12

