







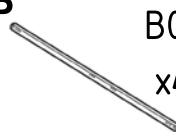




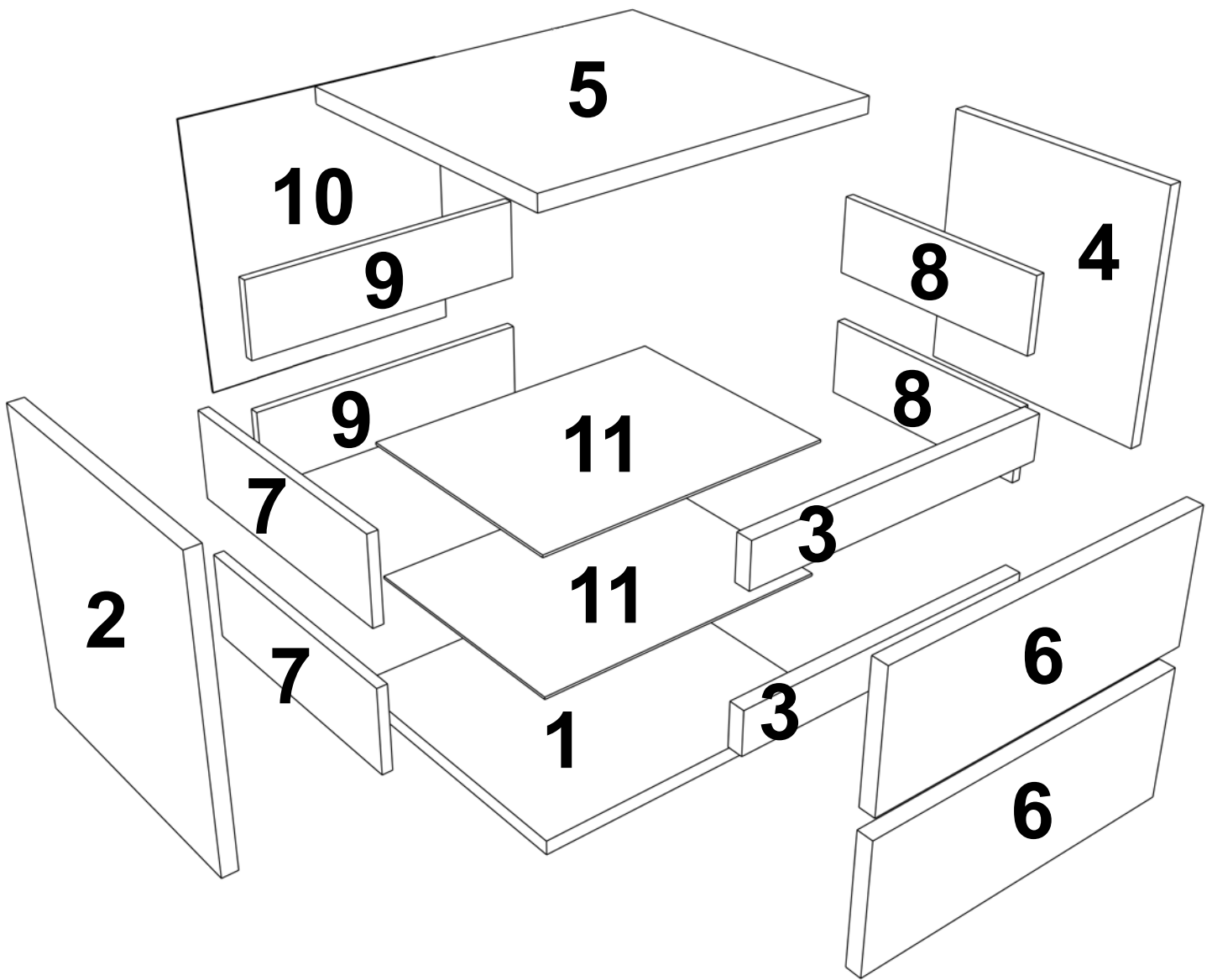
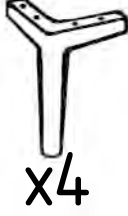


1  B0501 x8	1  B0502 x8	1  B0503 x17	1  B0504 x8	2  B0301 x9
2  B0304 x8	1  B0511 x8	1  B0510 x8	P  B0905 x4	2  B0328 x4
P  B1004 x4	2  B0326 x17	2  B0318 x15		





B1004



x4

B0502



x2

B0503



x2

B0504



x2

B0501

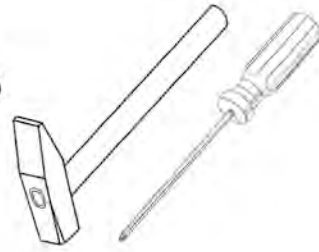


x2

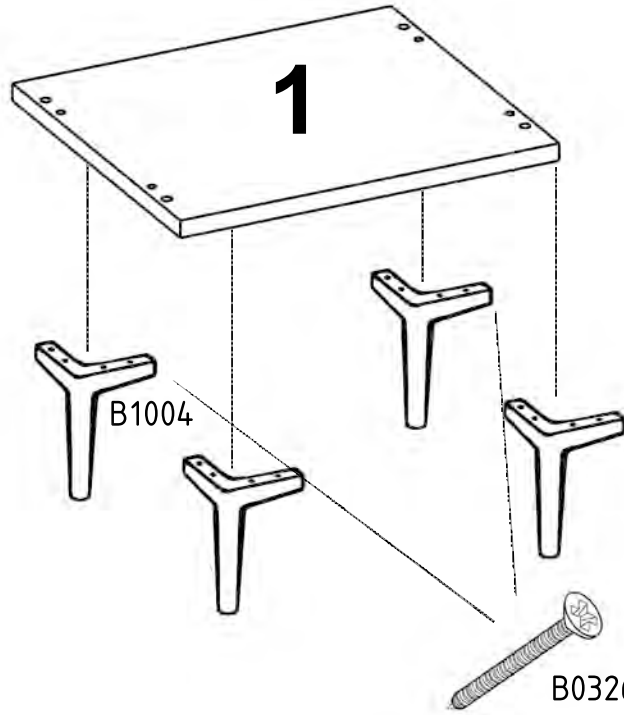
B0326



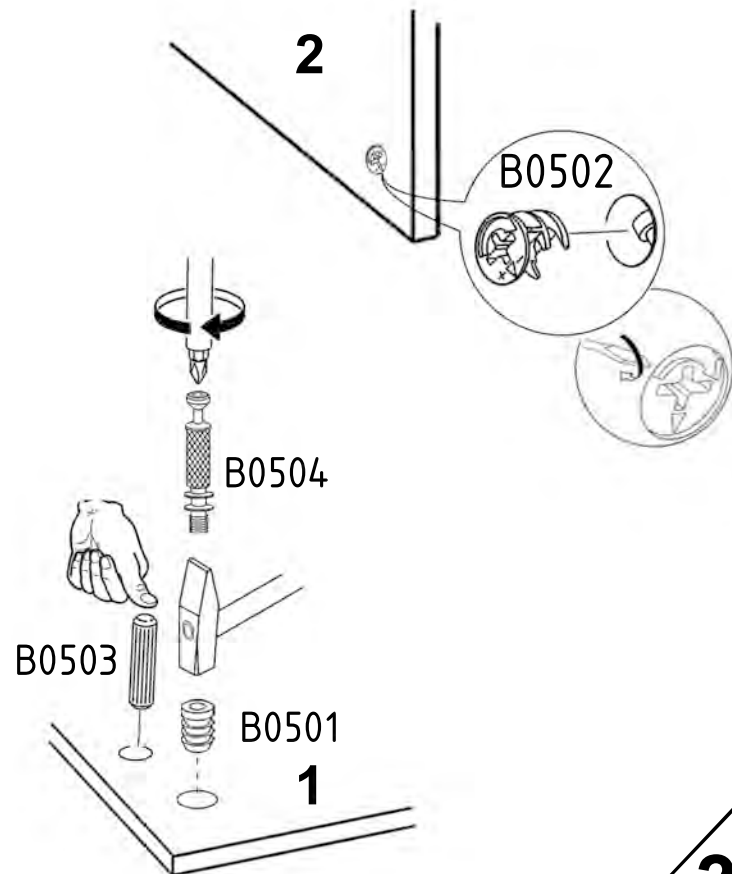
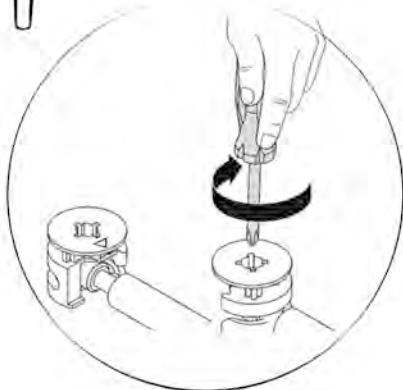
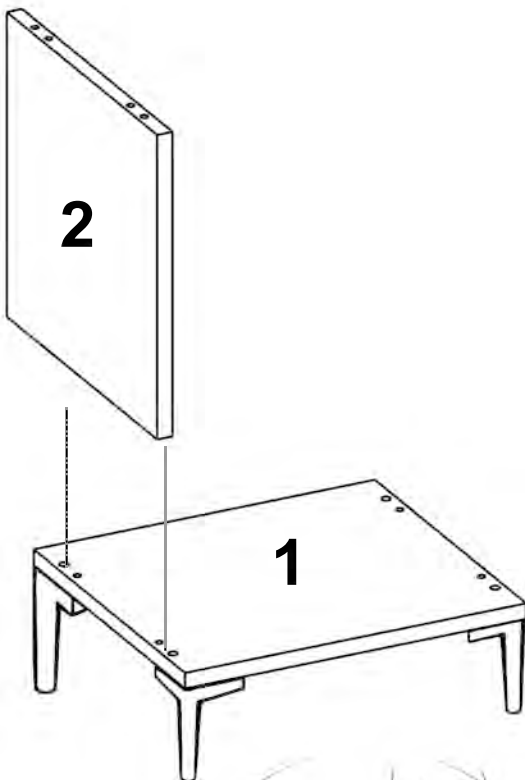
x16



1



2



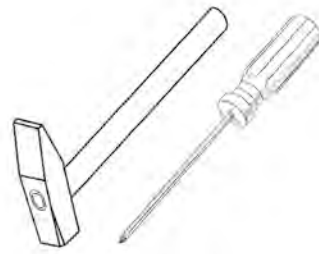
3



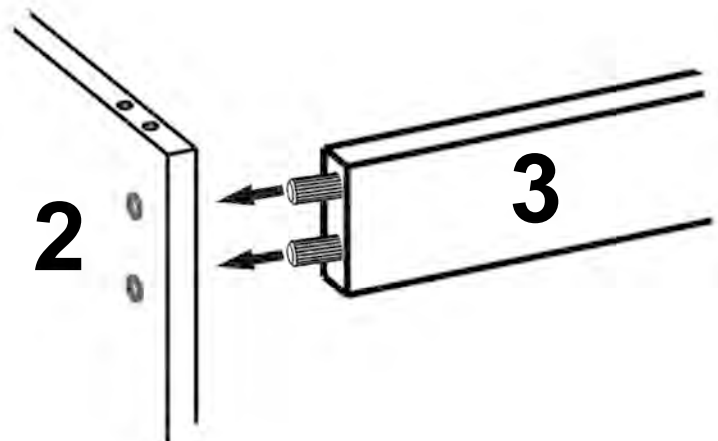
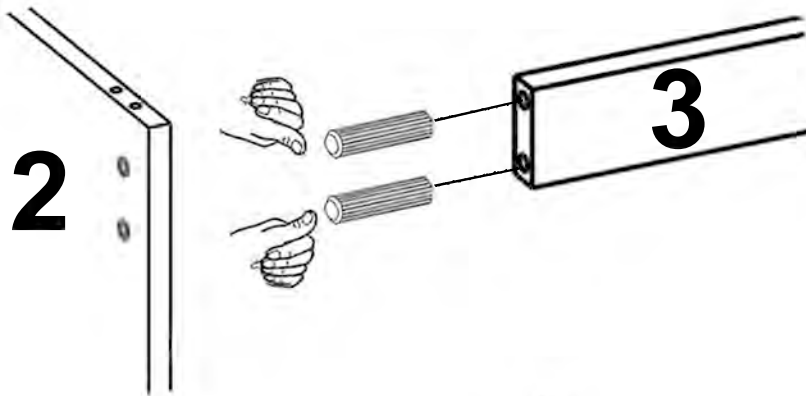
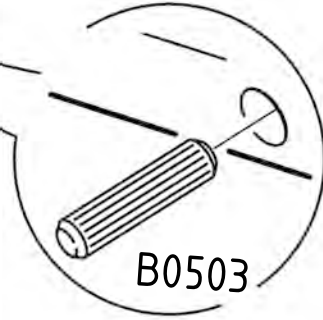
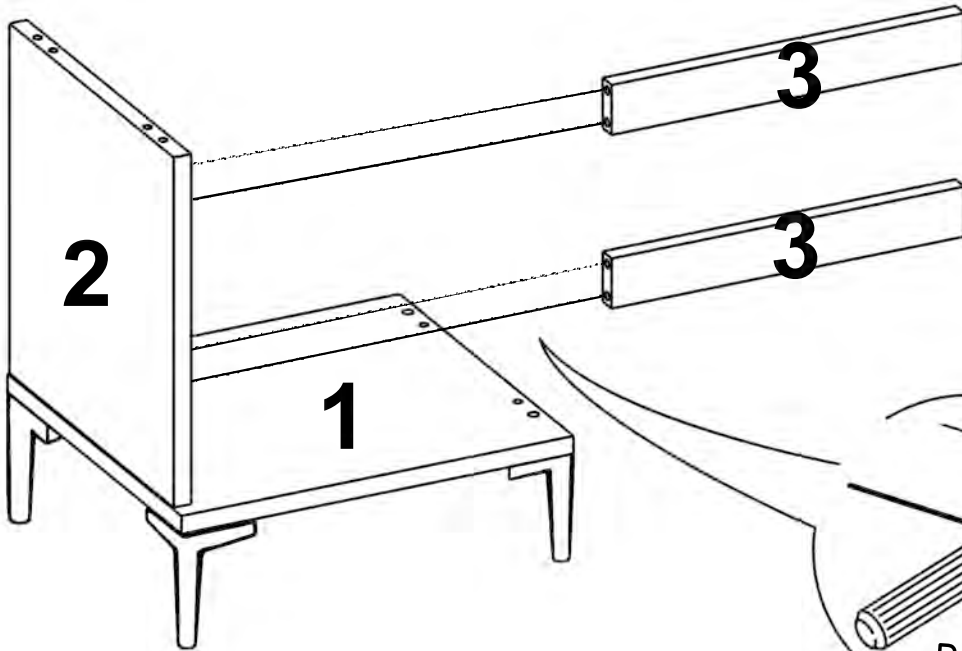
B0503



X4



3



4



B0502



x2

B0503



x6

B0504

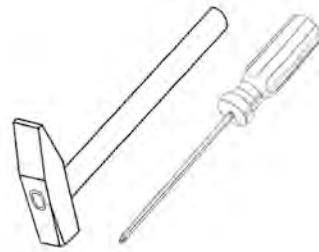


x2

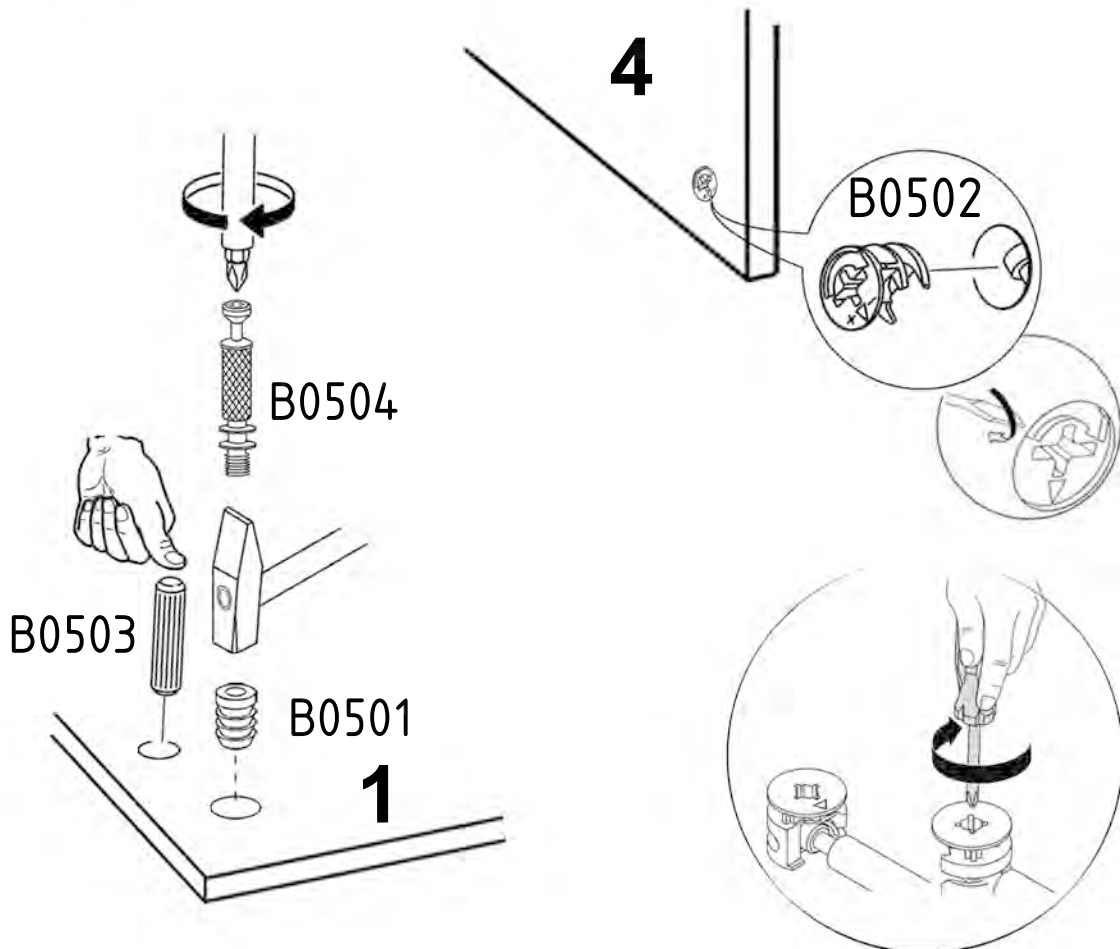
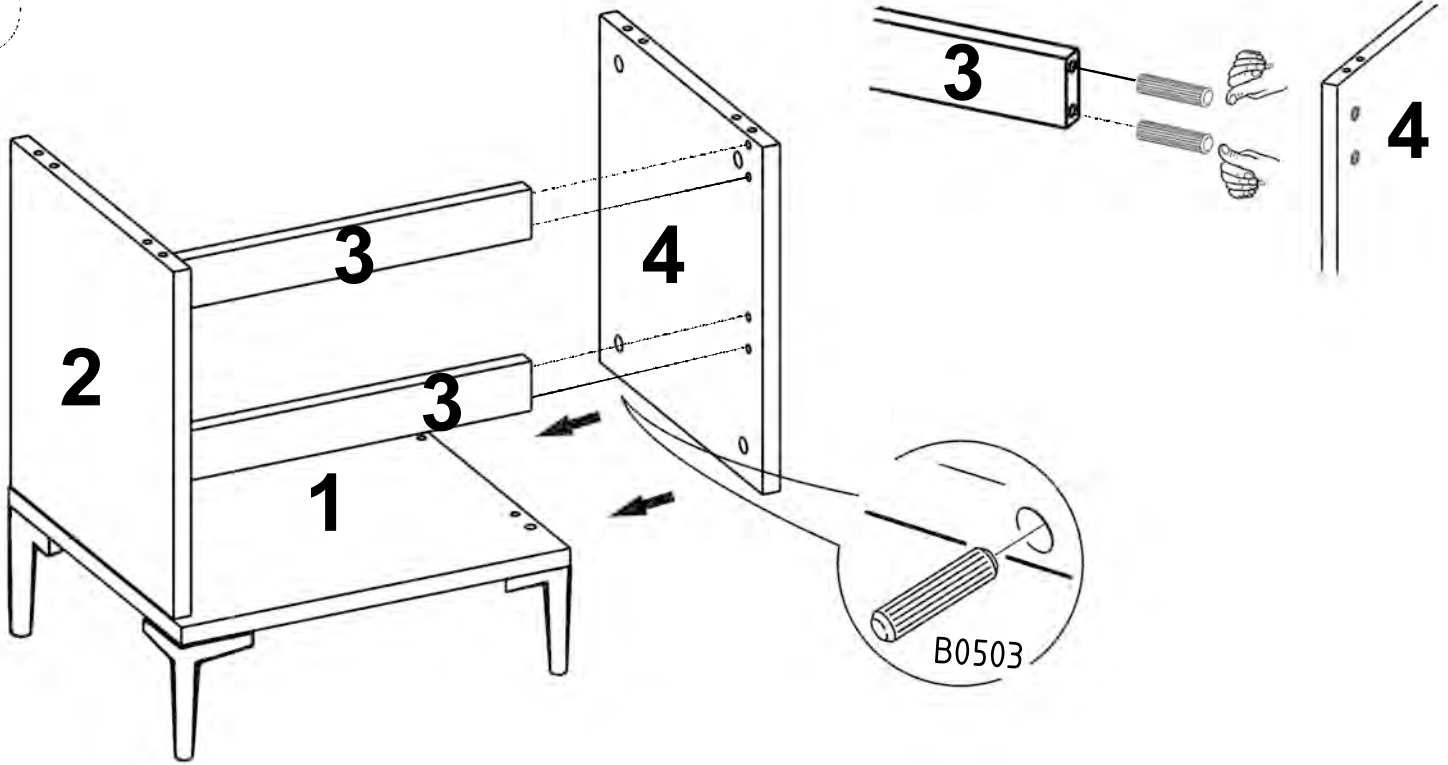
B0501



x2



4



5



B0502



x4

B0503



x4

B0504



x4

B0501



x4

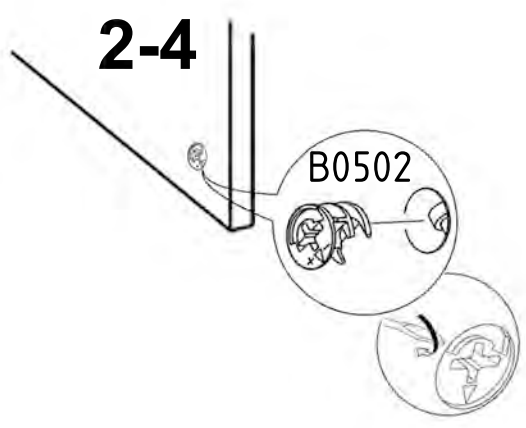
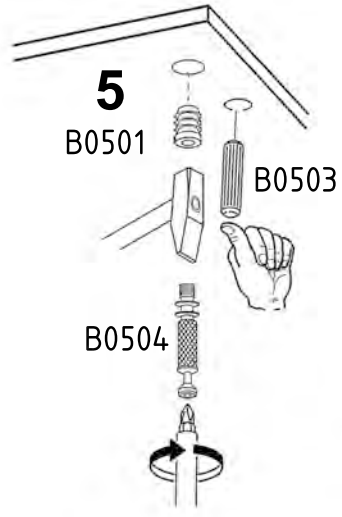
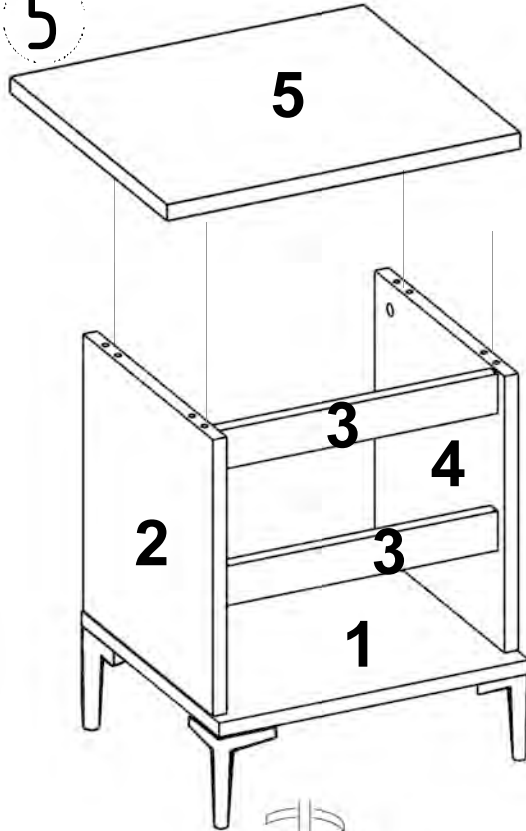
B0511



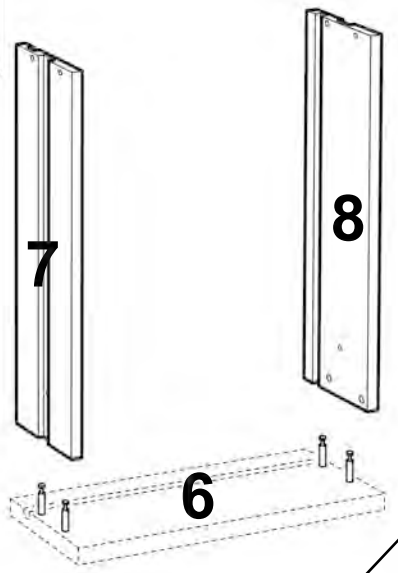
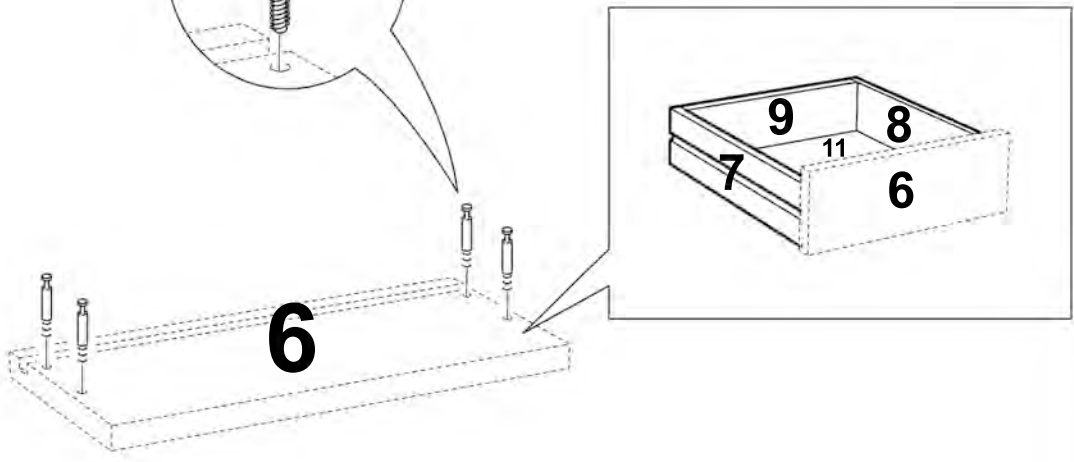
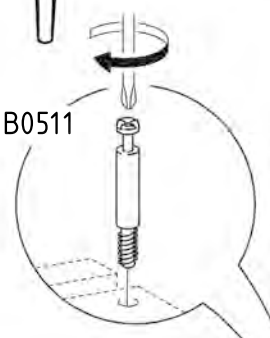
x8



5



6



6



B0510



x8

B0905



x4

B0304

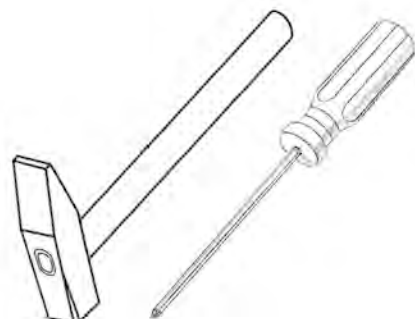


x8

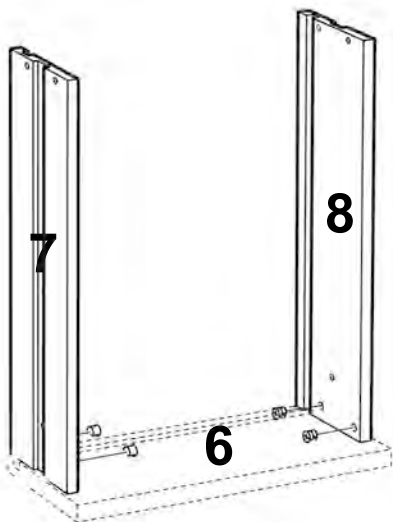
B0301



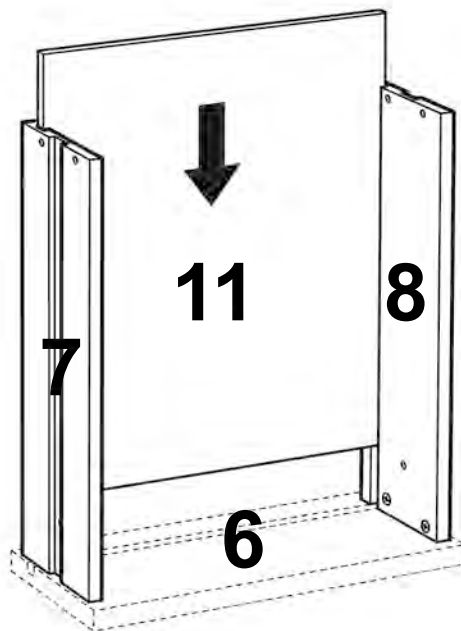
x8



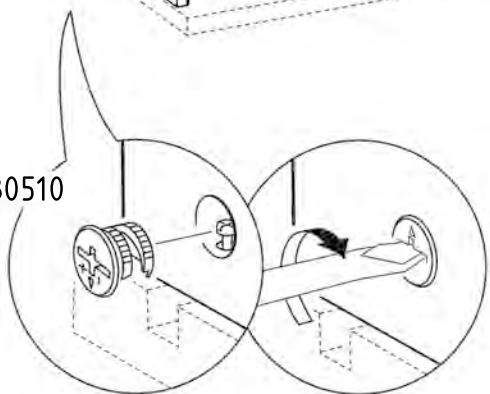
7



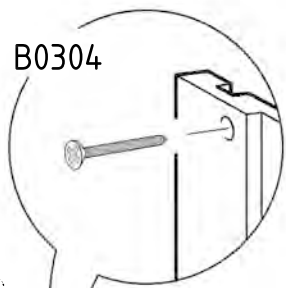
8



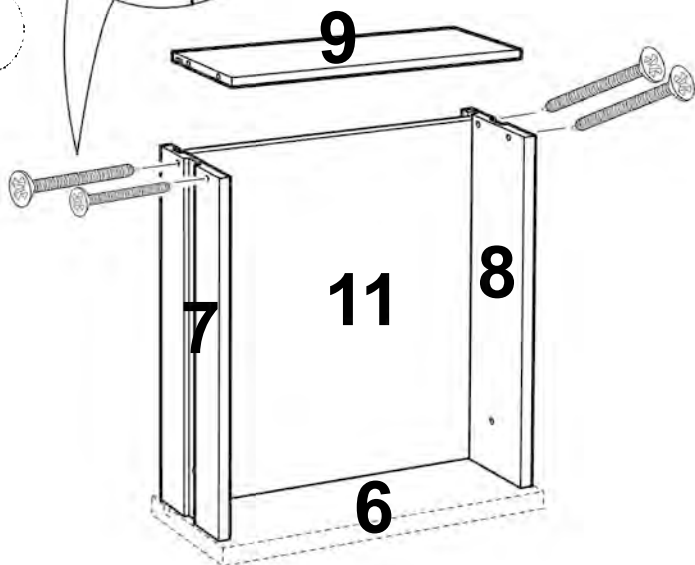
B0510



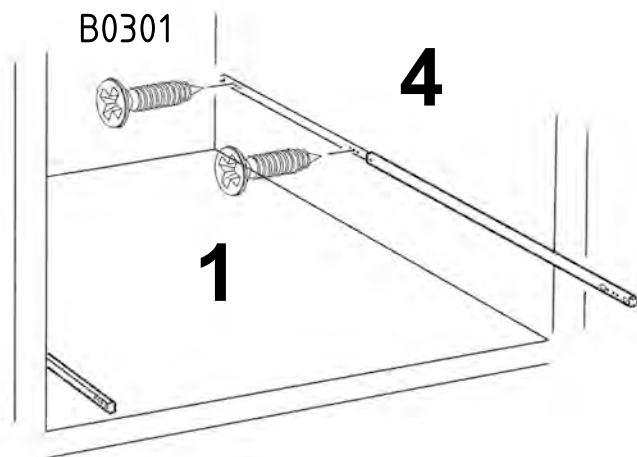
B0304



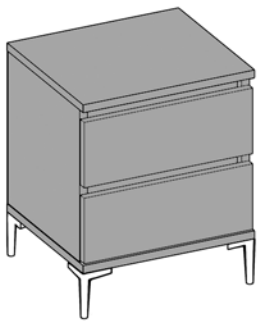
9



10



7



B0318

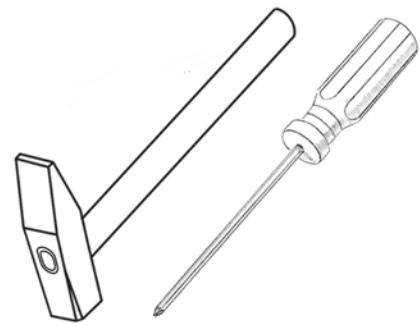


x15

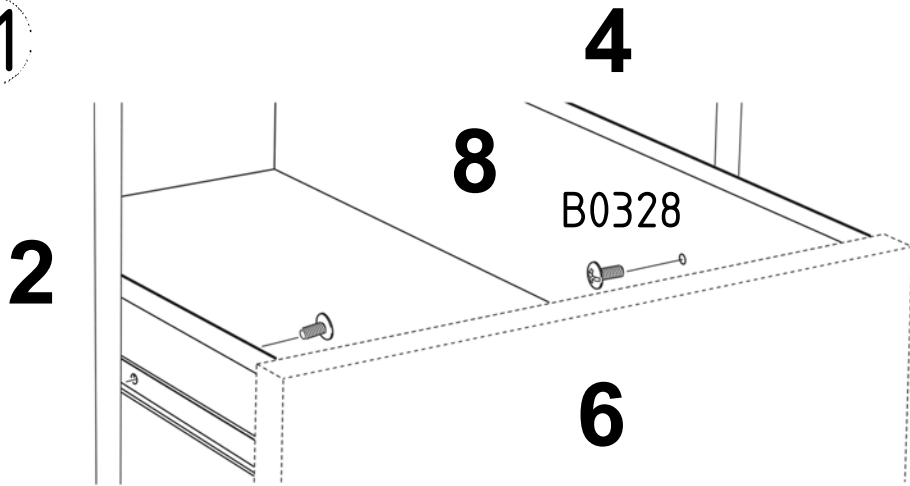
B0328



x4



11



12

