

ASSEMBLY INSTRUCTION

(Before assembling, read all the instruction!)

Hardware

Tools Required

Power tools NOT recommended



A
x4



M6X40mm

B
x14



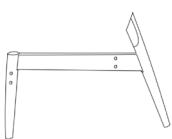
M6X20mm

C
x8

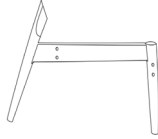


D

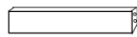
Components



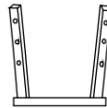
H
x1



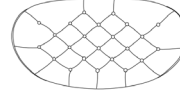
I
x1



J
x1



K
x1



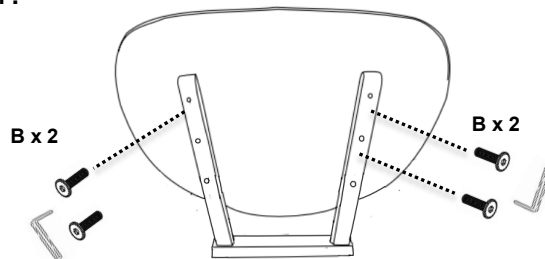
L
x1



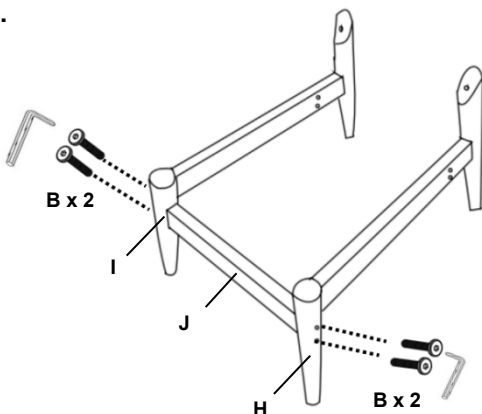
M
x1

Assembly Instructions

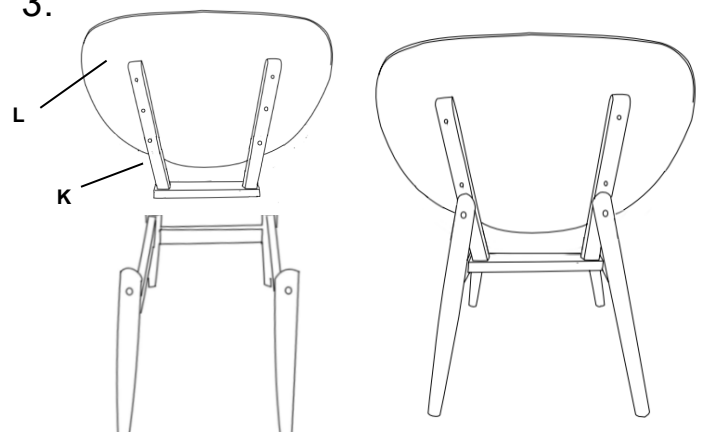
1.



2.



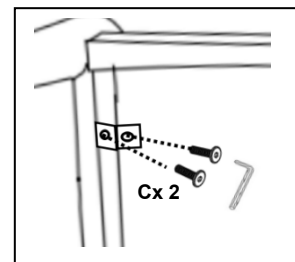
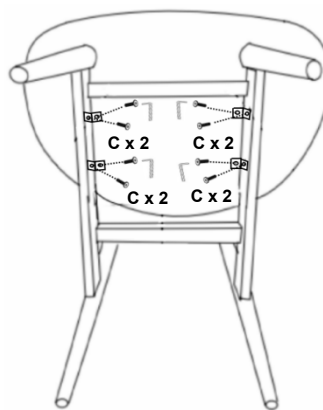
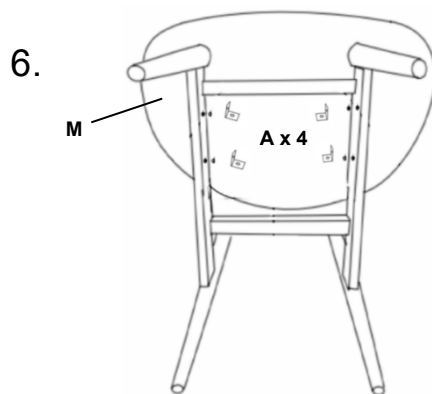
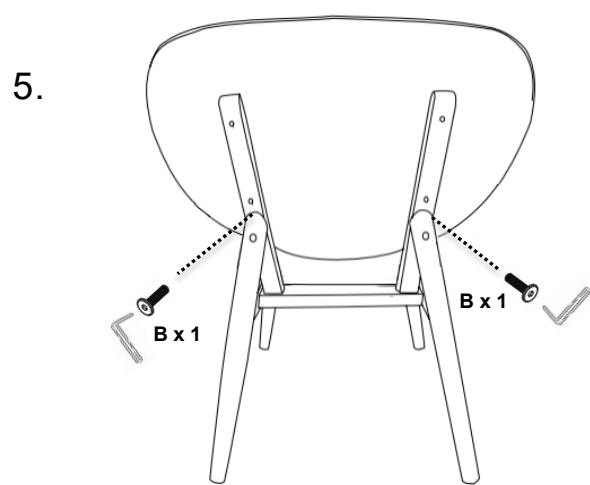
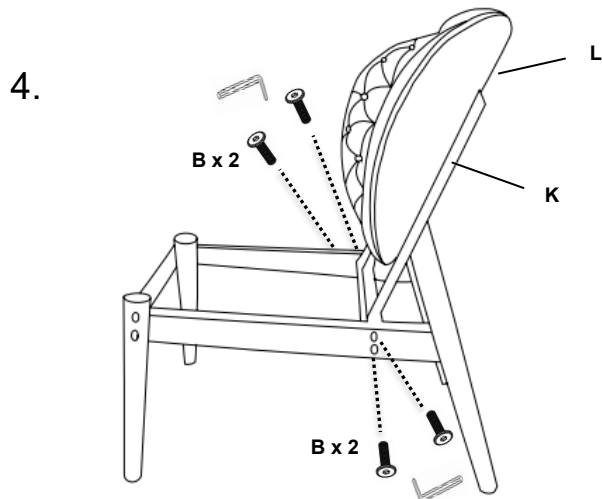
3.



ASSEMBLY INSTRUCTION

(Before assembling, read all the instruction!)

Assembly Instructions



ASSEMBLY INSTRUCTION

(Before assembling, read all the instruction!)

