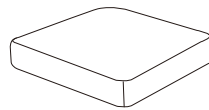
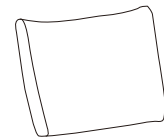


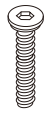
Ax1



Bx1



Cx1



Dx2



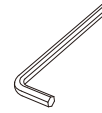
Ex2



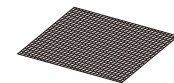
Fx2



Gx2



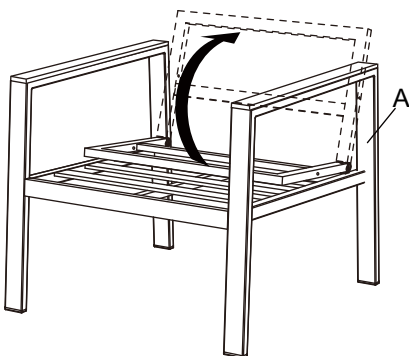
Hx1



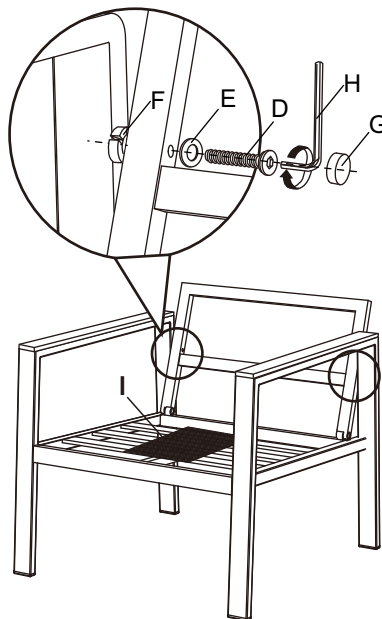
Non-slip mesh

I x1

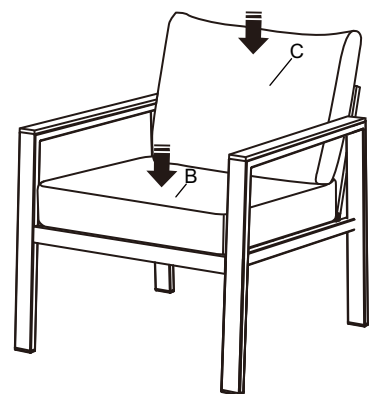
1

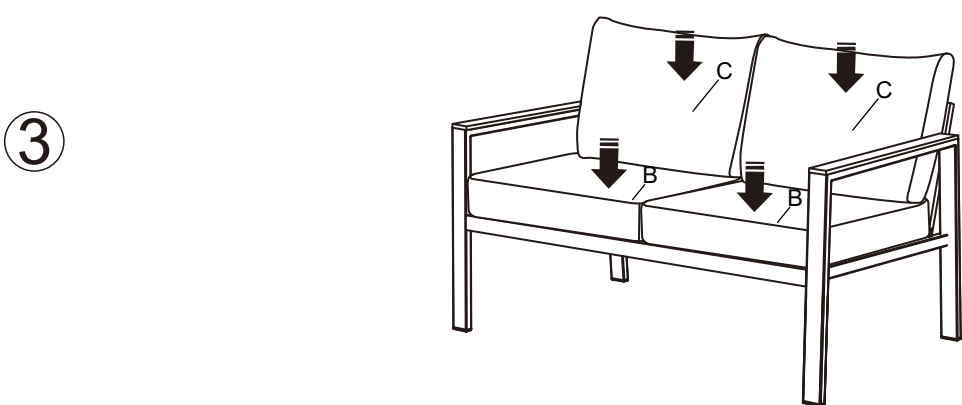
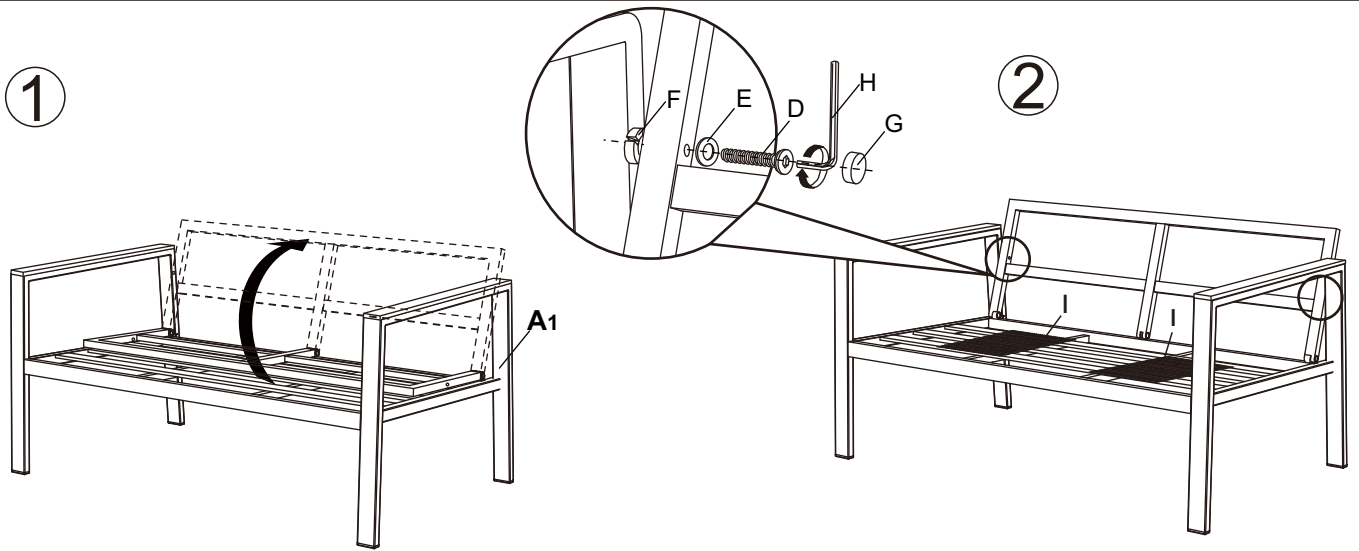
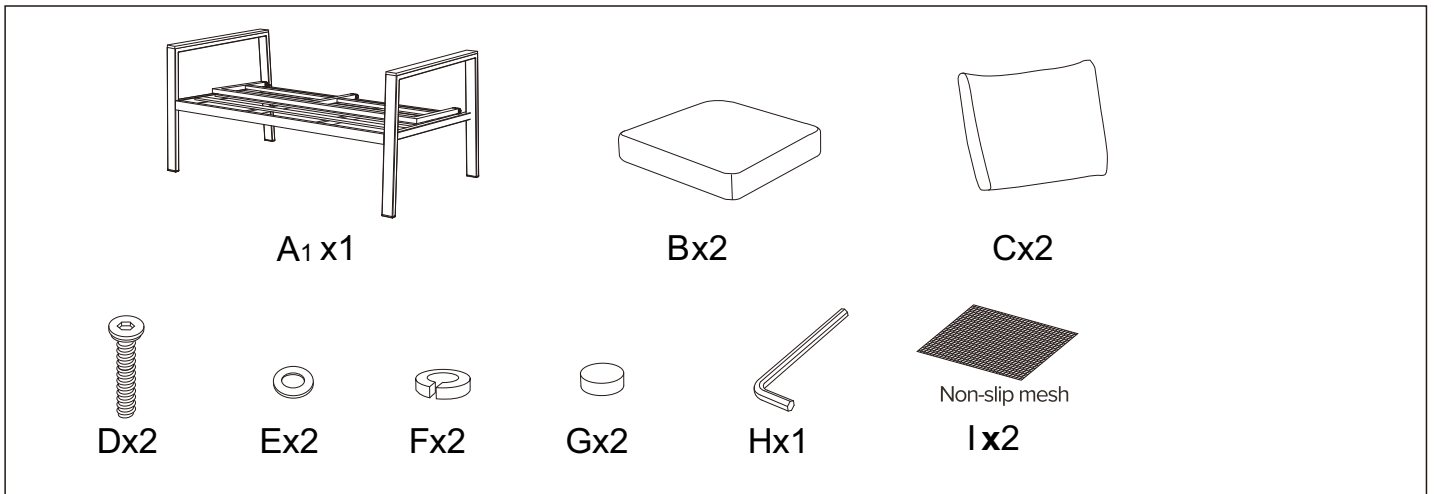
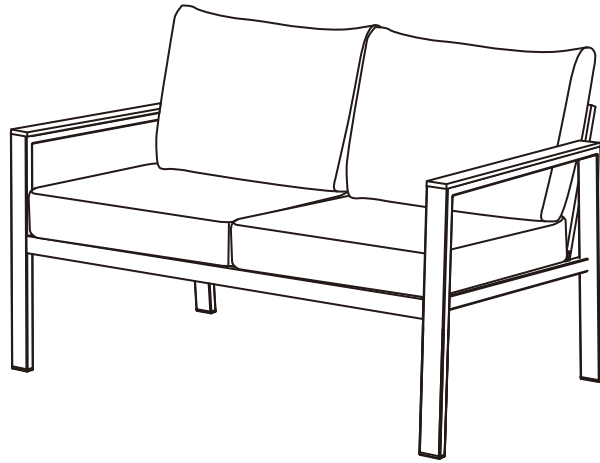


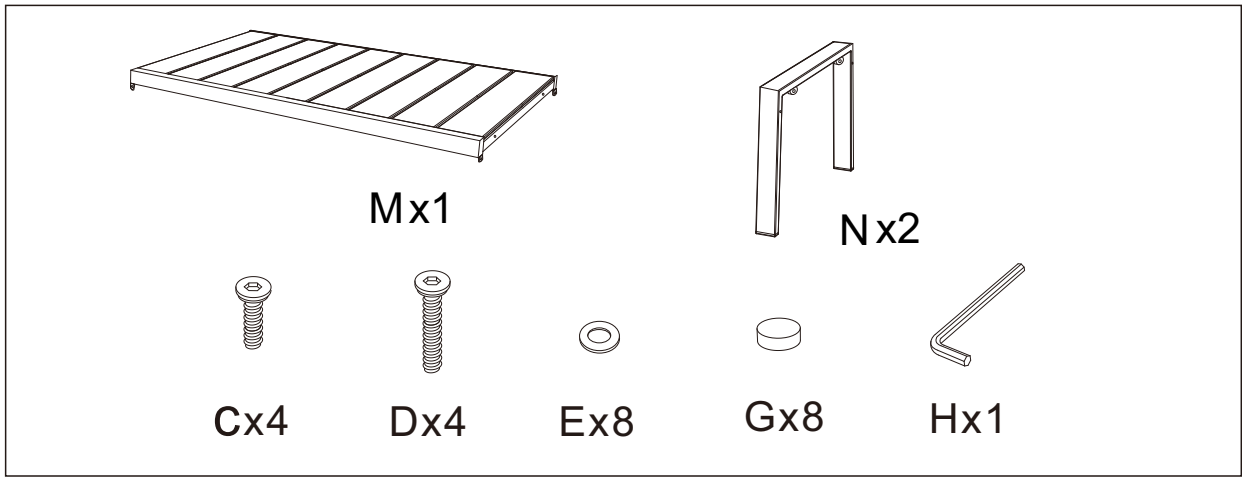
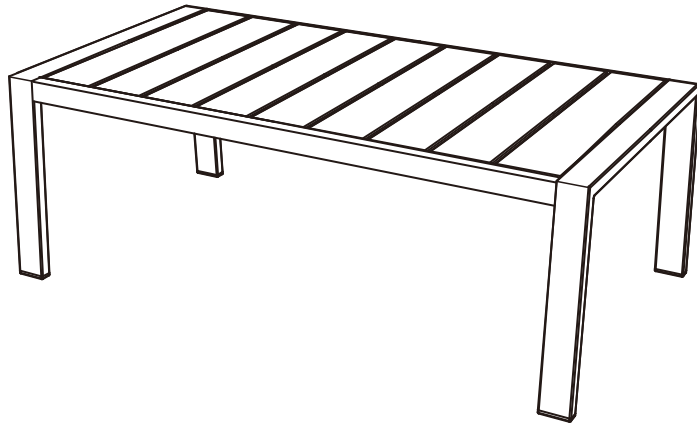
2



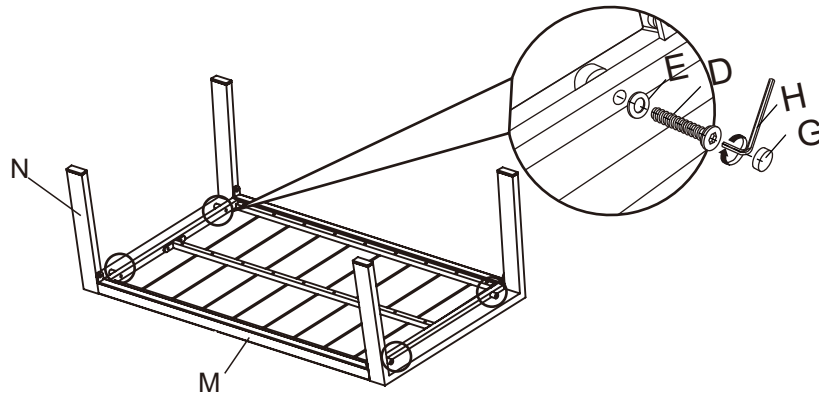
3







①



②

