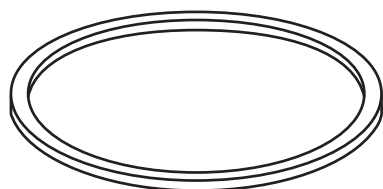
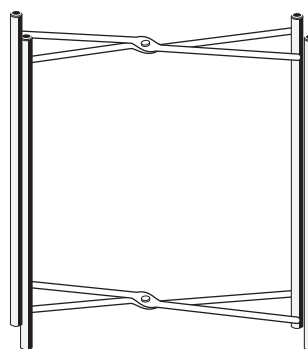
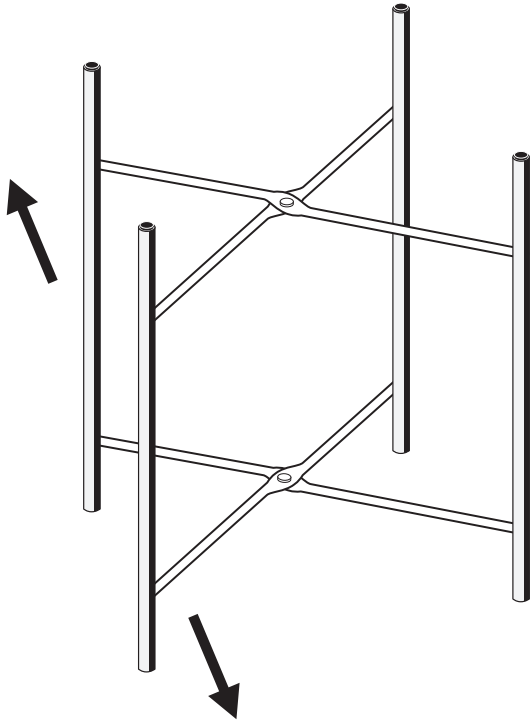
**READ & SAVE BELOW INSTRUCTIONS BEFORE ASSEMBLY**

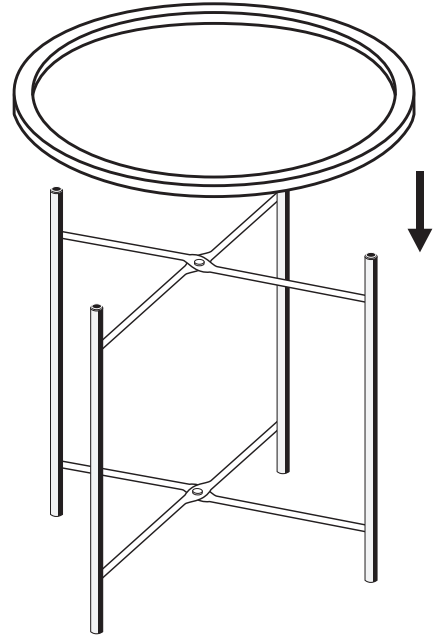
1. PLEASE SEPARATE AND IDENTIFY ALL PARTS, MAKING SURE THAT YOU HAVE ALL OF THE PARTS LISTED.
2. TO AVOID ANY SCRATCH DURING ASSEMBLY, PLEASE ASSEMBLE ON A SOFT MAT OR SIMILAR.
3. PLEASE ASSEMBLE STEP BY STEP AND FOLLOW THE INSTRUCTIONS.
4. TO CLEAN, WIPE WITH DAMP CLOTH. DO NOT USE BLEACH, ACID SOLVENTS OR ABRASIVE CLEANERS ON FRAMED PARTS AND CUSHIONS.

**Ax1****Bx1**

1



2



3

