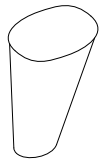
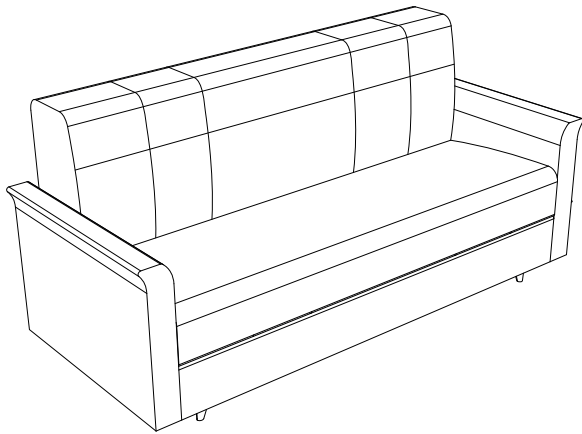




furniture
www.pakoworld.com

Diego Sofa

Product Code 144-000030



Leg(4)



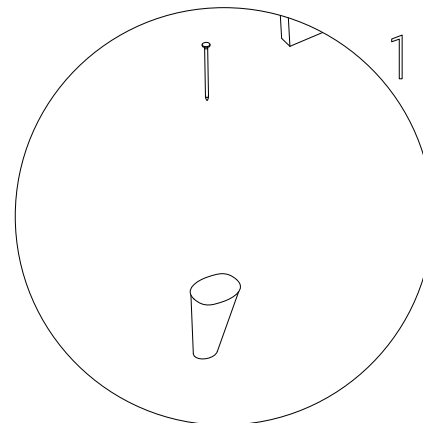
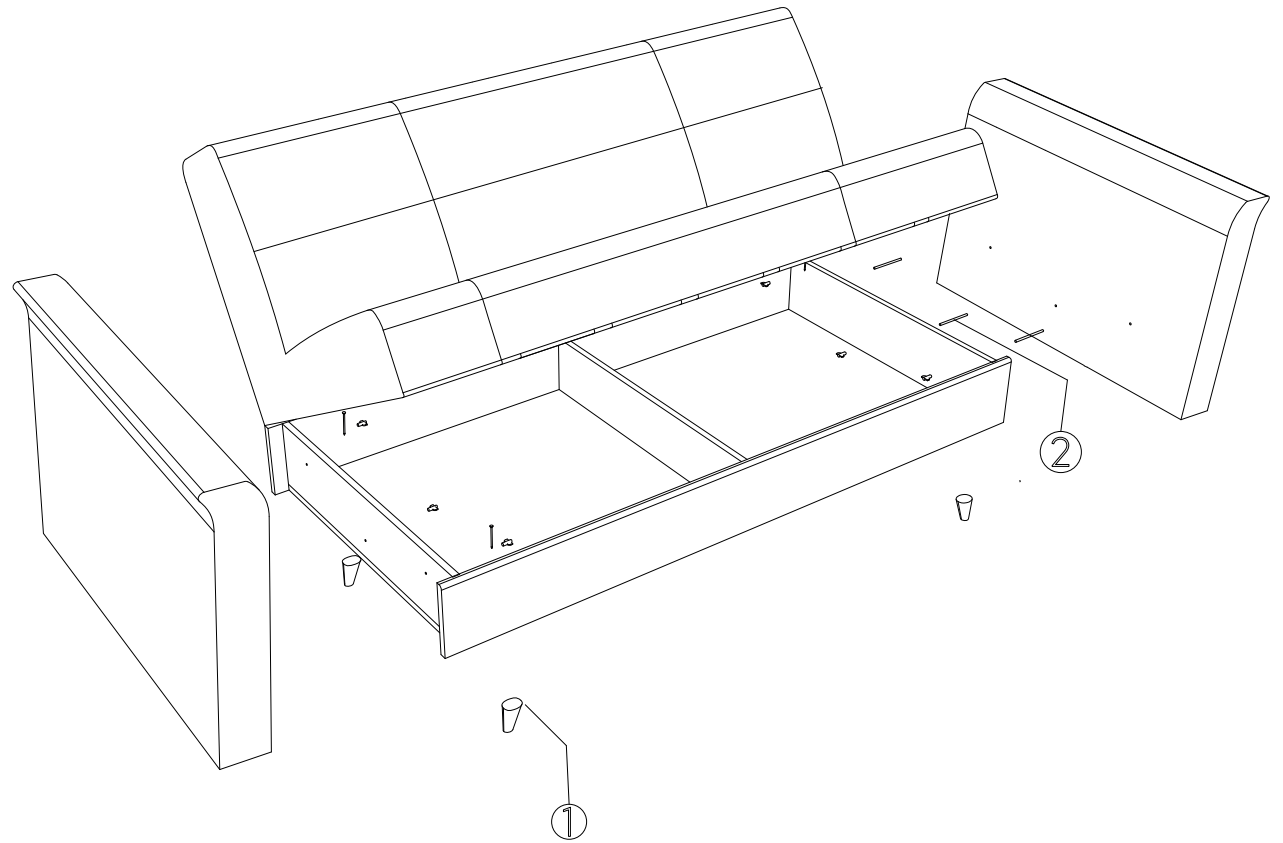
Screw(6)



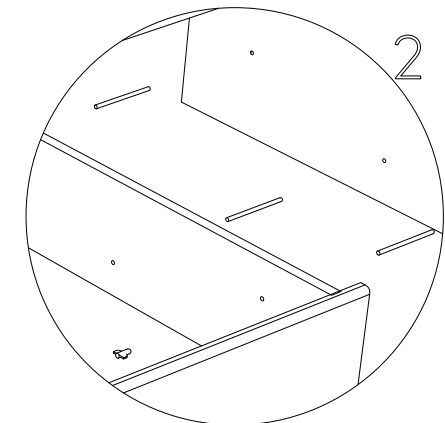
Wingnut(6)



Screw for leg (4)



Legs are fixed to the case and screwed.



Screws are screwed in first to the armrest and then to the case.