

ASSEMBLING INSTRUCTION

1 X1PC



2 X1PC



3 X2PCS



4 X2PCS



5 X1PC



A X8PCS



B X8PCS



C X1PC



D X4PCS



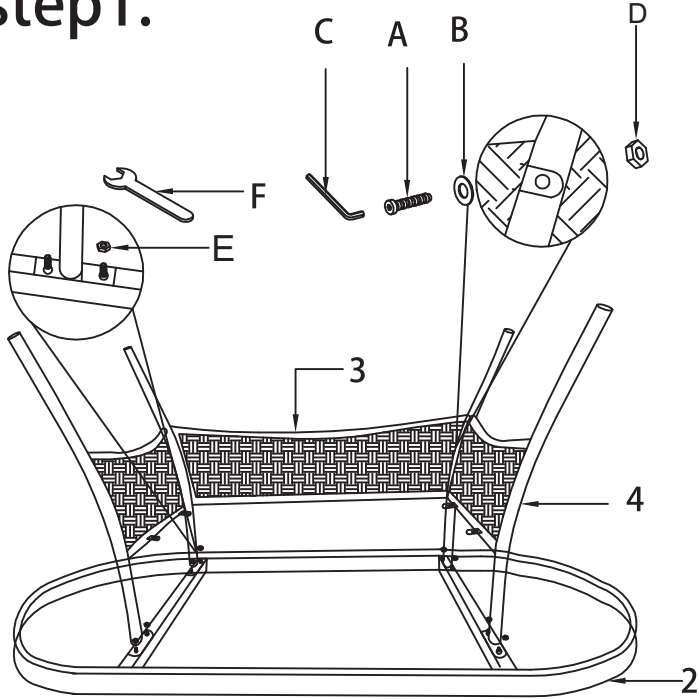
E X8PCS



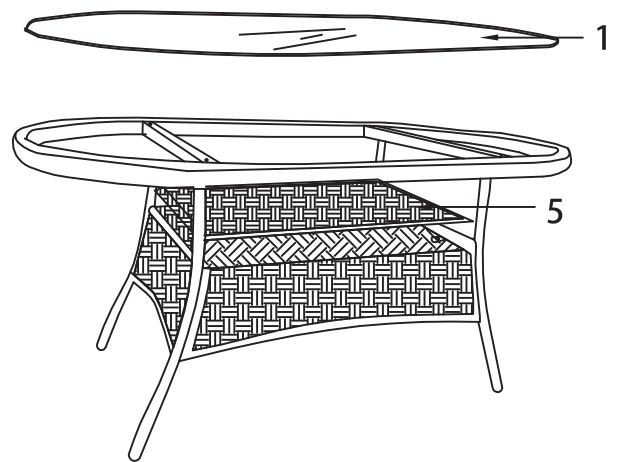
F X2PCS



step1.



step2.



step3.

