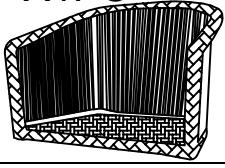
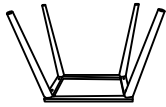


ASSEMBLING INSTRUCTION

1 X1PC



2 X1PC



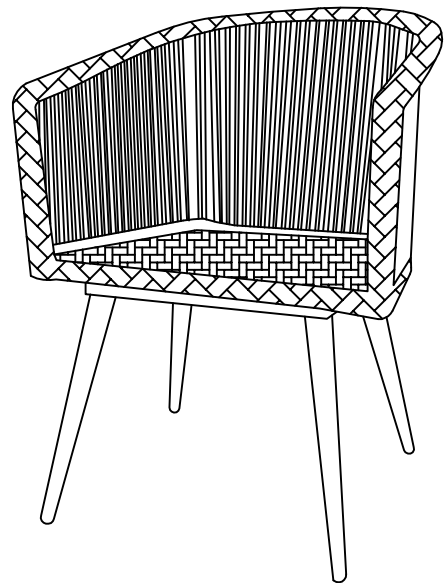
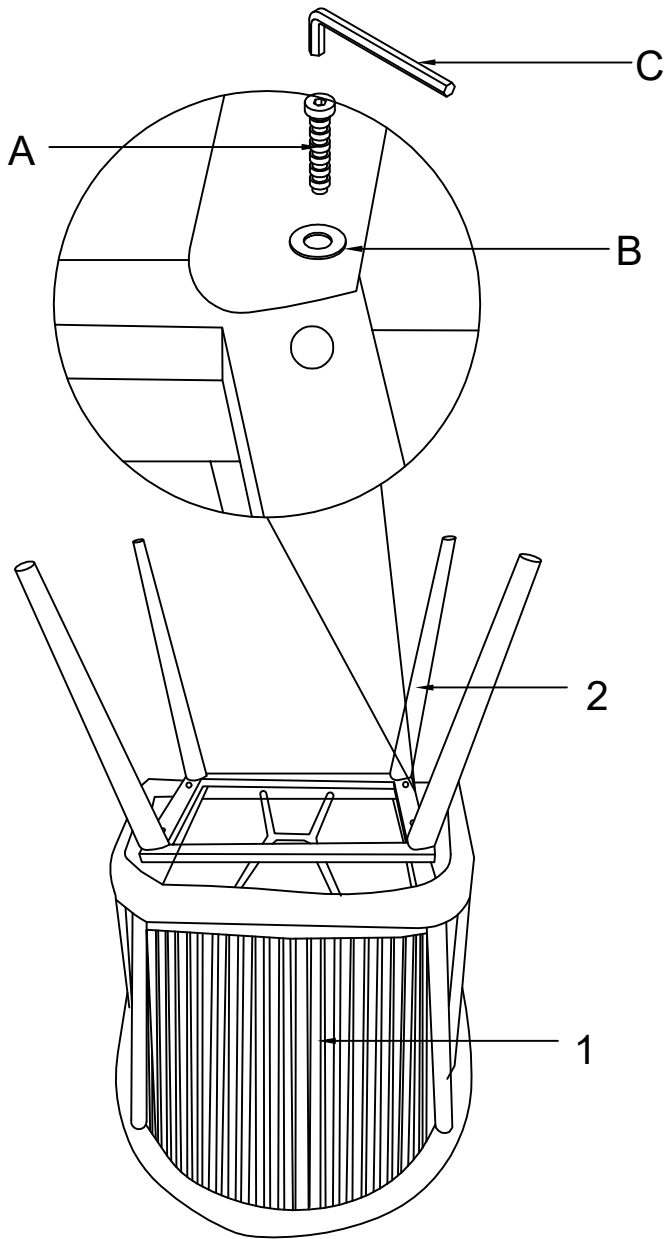
A X4PCS



B X4PCS

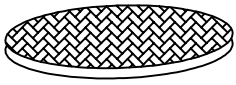


C X1PC



ASSEMBLING INSTRUCTION

1 X1PC



2 X4PCS



3 X1PC



A X8PCS



B X8PCS



C X1PC



D X4PCS

