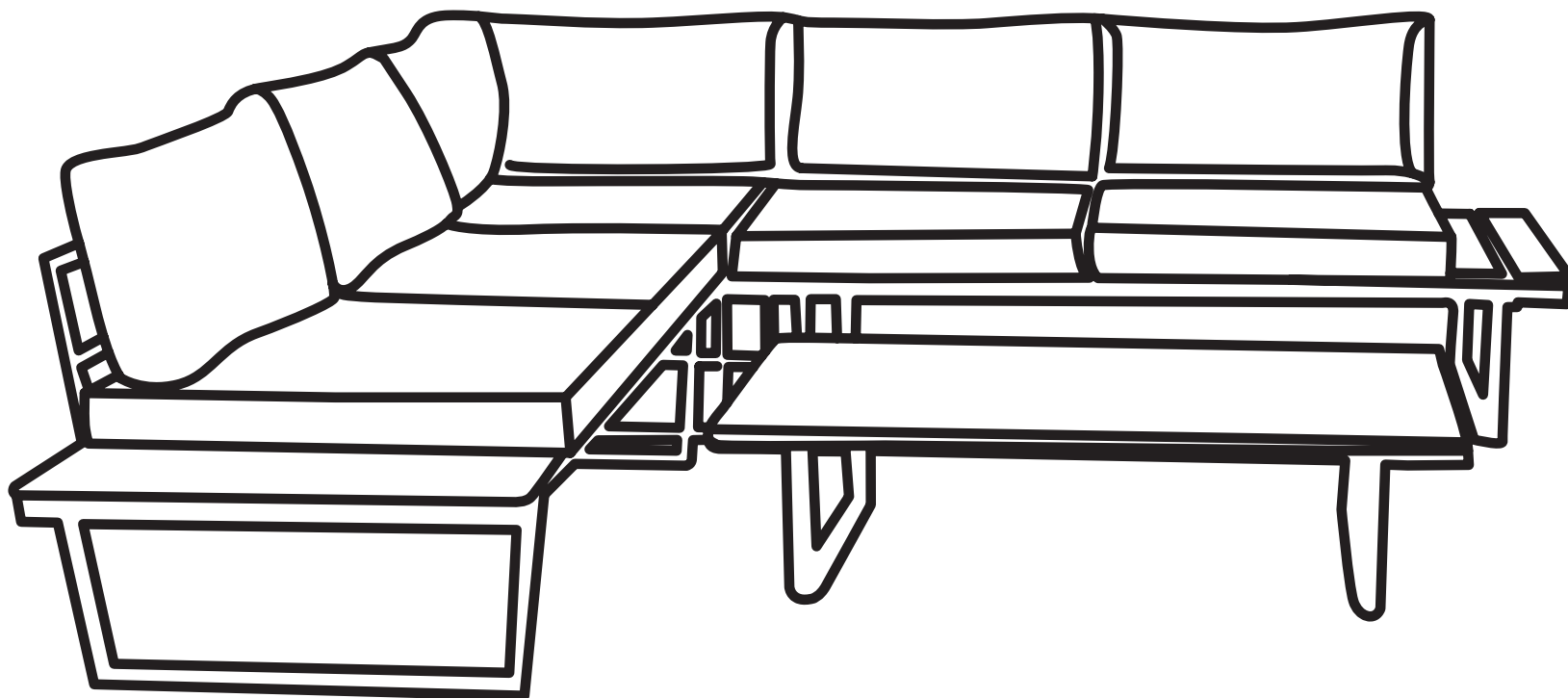






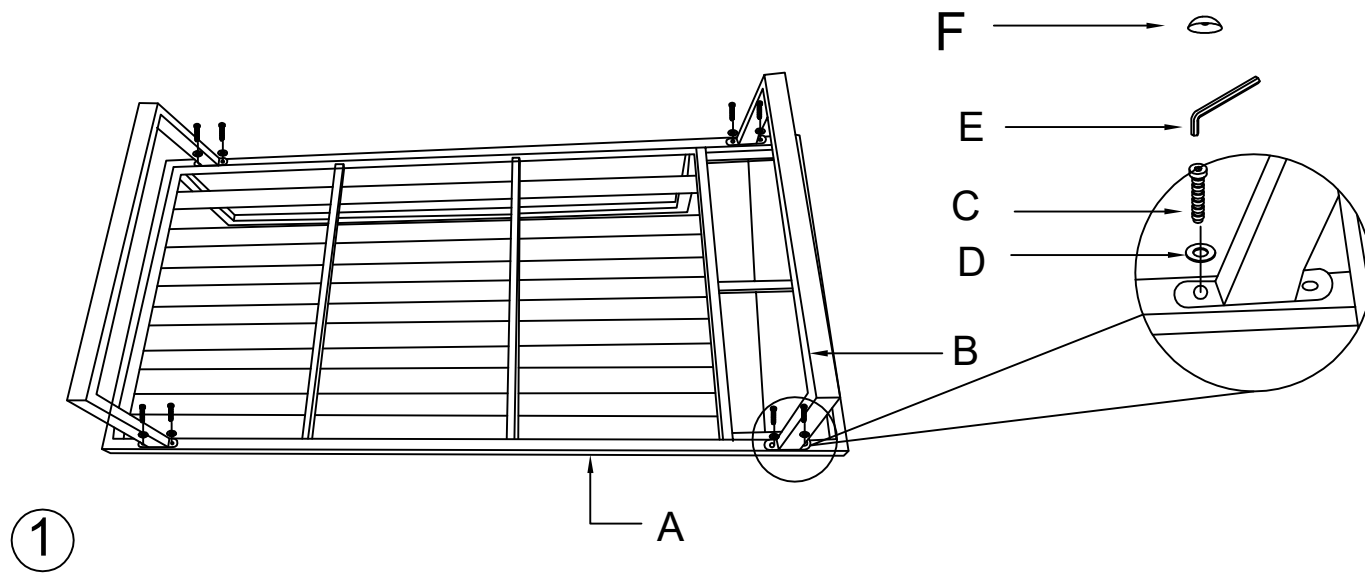


# ASSEMBLING INSTRUCTION

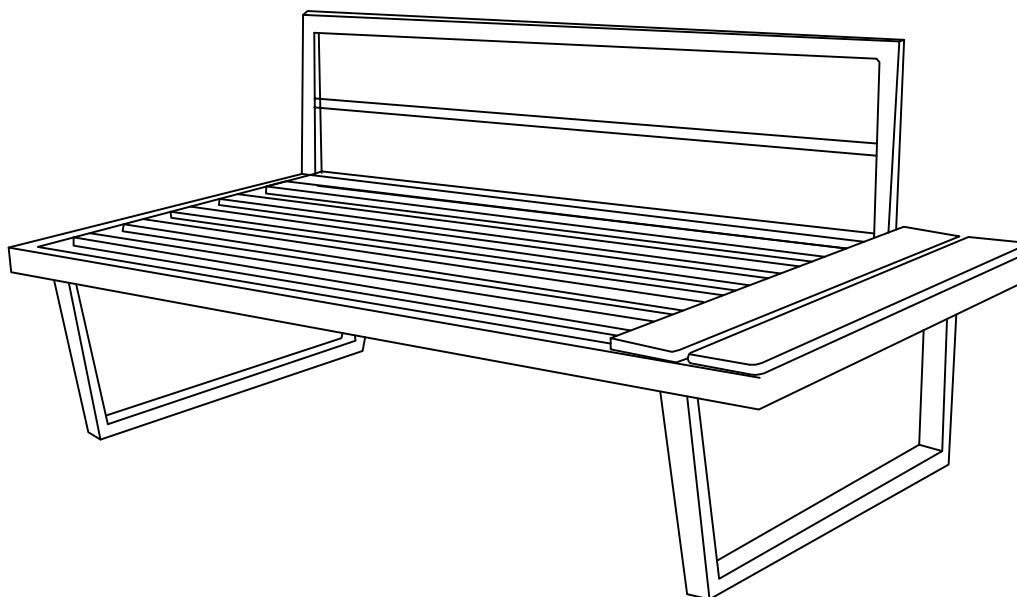











A		1
B		2
C	 M6*16	8
D	 Ø12*Ø6.5*1.0	8
E		1
F		8

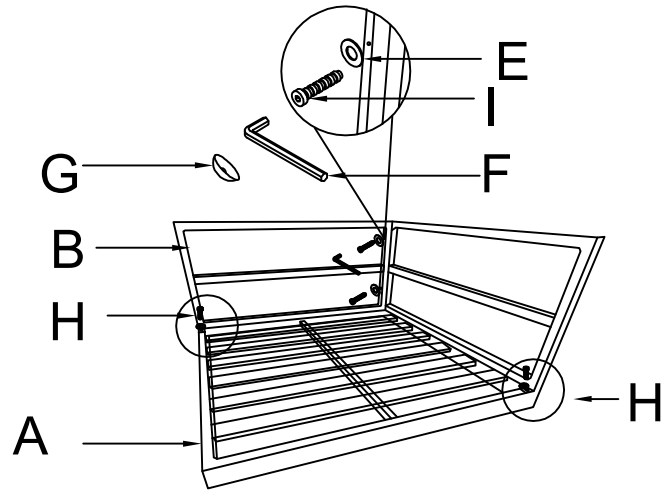


①

②



A		1
B		2
C		2
D	 M6*50	4
E	 Ø12*Ø6.5*1.0	16
F		1
G		16
H	 M6*16	10
I	 M6*30	2

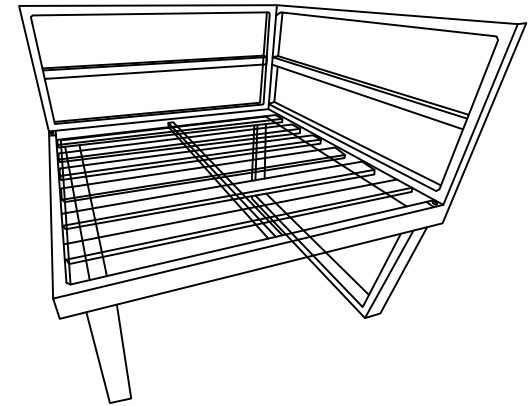
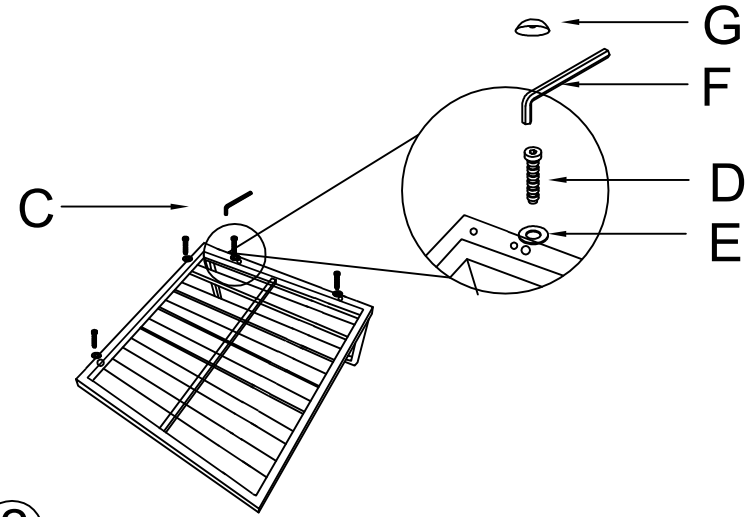
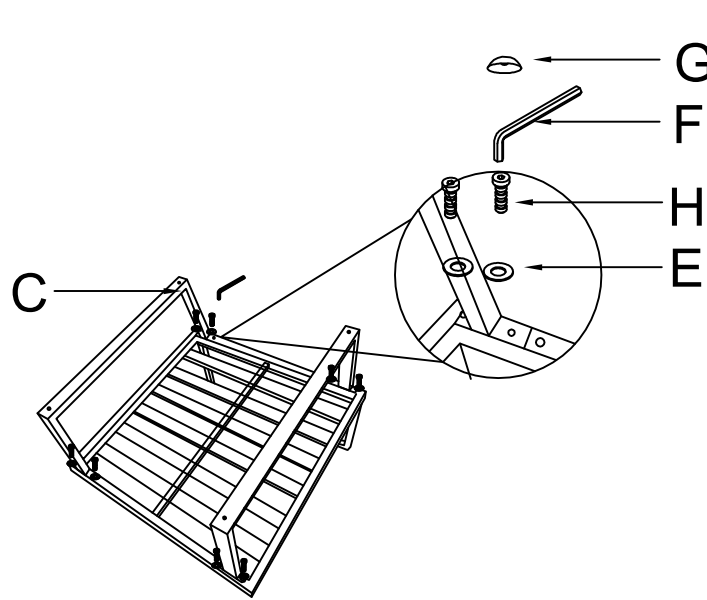








①

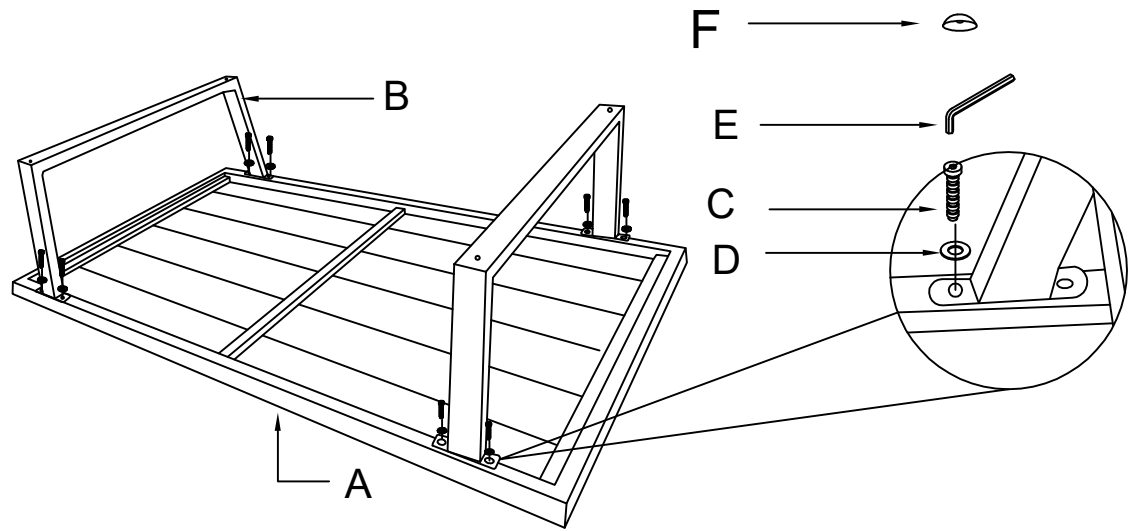
②

③

④



A		1
B		2
C	 M6*16	8
D	 Ø12*Ø6.5*1.0	8
E		1
F		8



①  
②

