



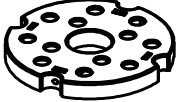


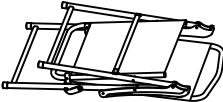
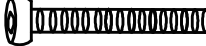
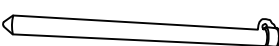

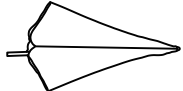
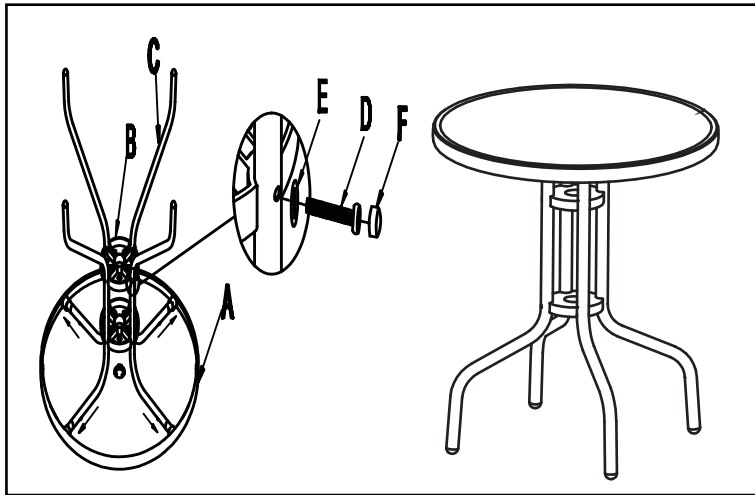
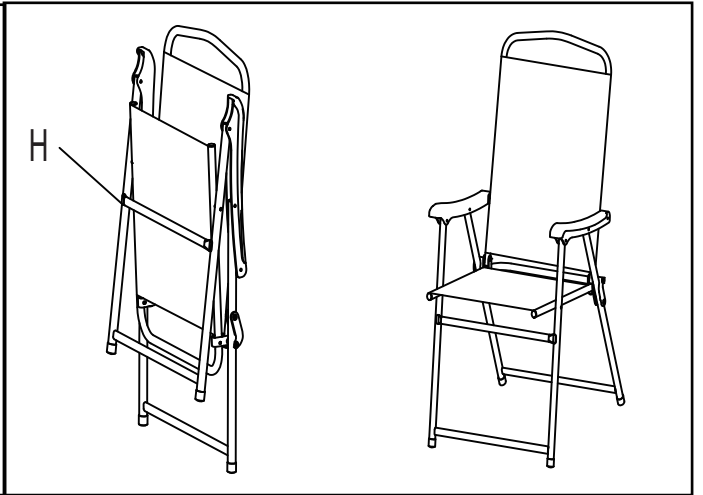
No.	Part	Qty	No.	Part	Qty
A		1	F		8
B		2	G		1
C		4	H		4
D	 M6*40	8	I		1
E		8	J		1

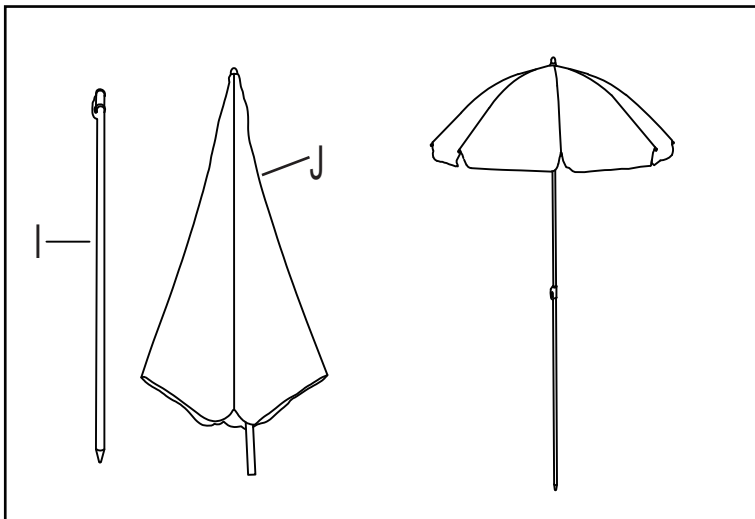
Table:



Chair:



Umbrella:



Whole set:

