

Installation diagram

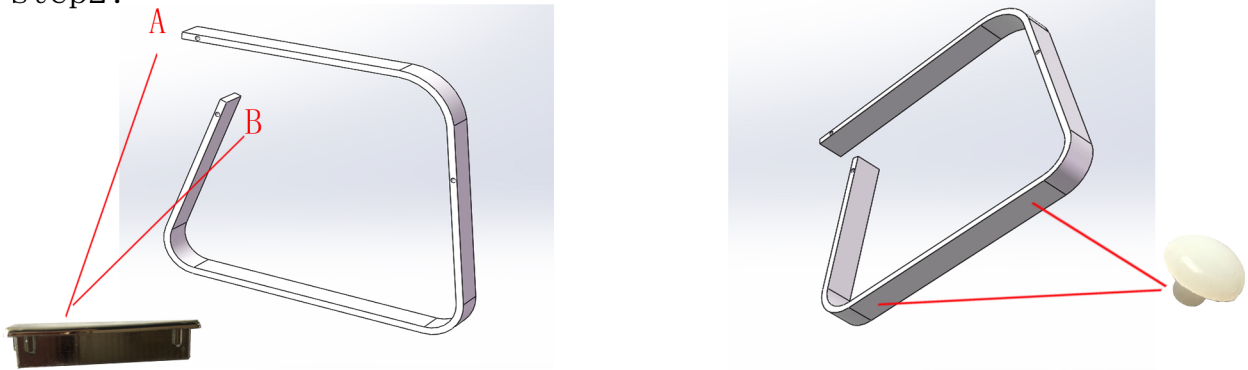
MODEL: SJ5350 (A three-person sofa is the same as a single one)

| | | | | | |
|-------|---|--|---|--|---|
| Parts |  2 or 4 6 |  some |  4 |  4 | TOOL |
| | Screw | Tapping screw | Plastic cover | Plastic shackles |  Hex wrench |

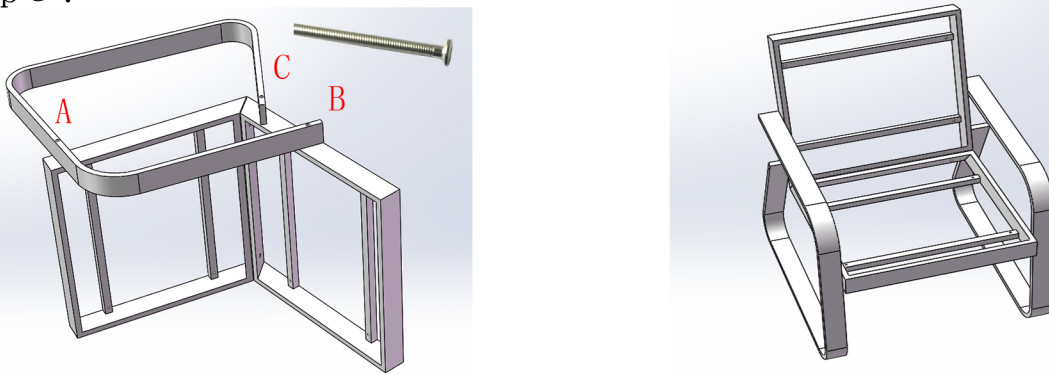
step1:



step2:



step 3 :



step 4 :

