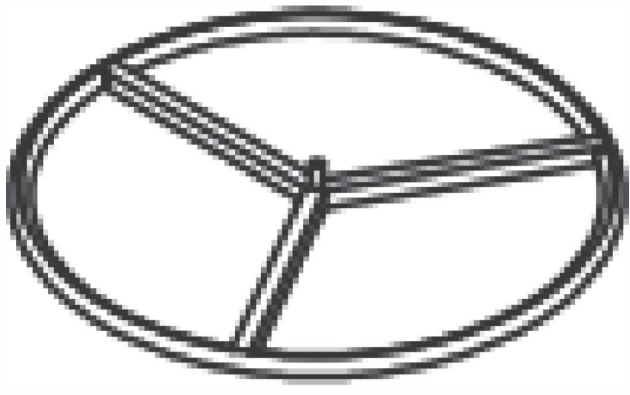


## Installation Instruction

### Part list

**A**



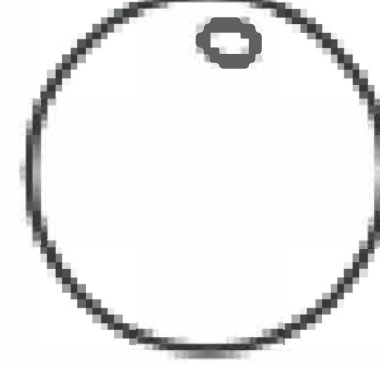
1 PCS

**B**



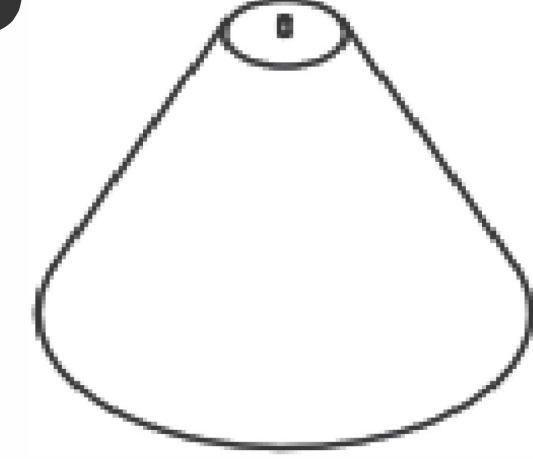
1 PCS

**C**



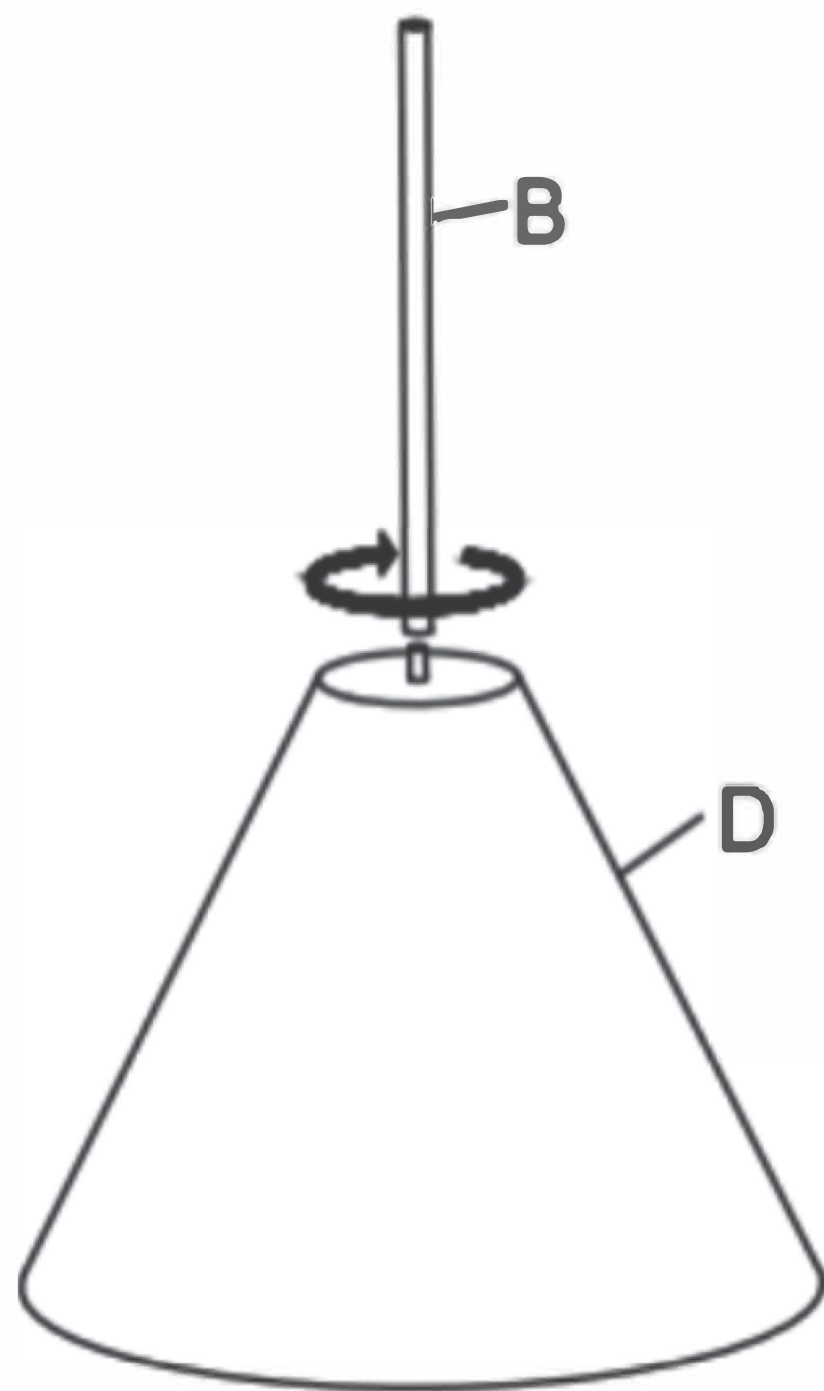
3 PCS

**D**

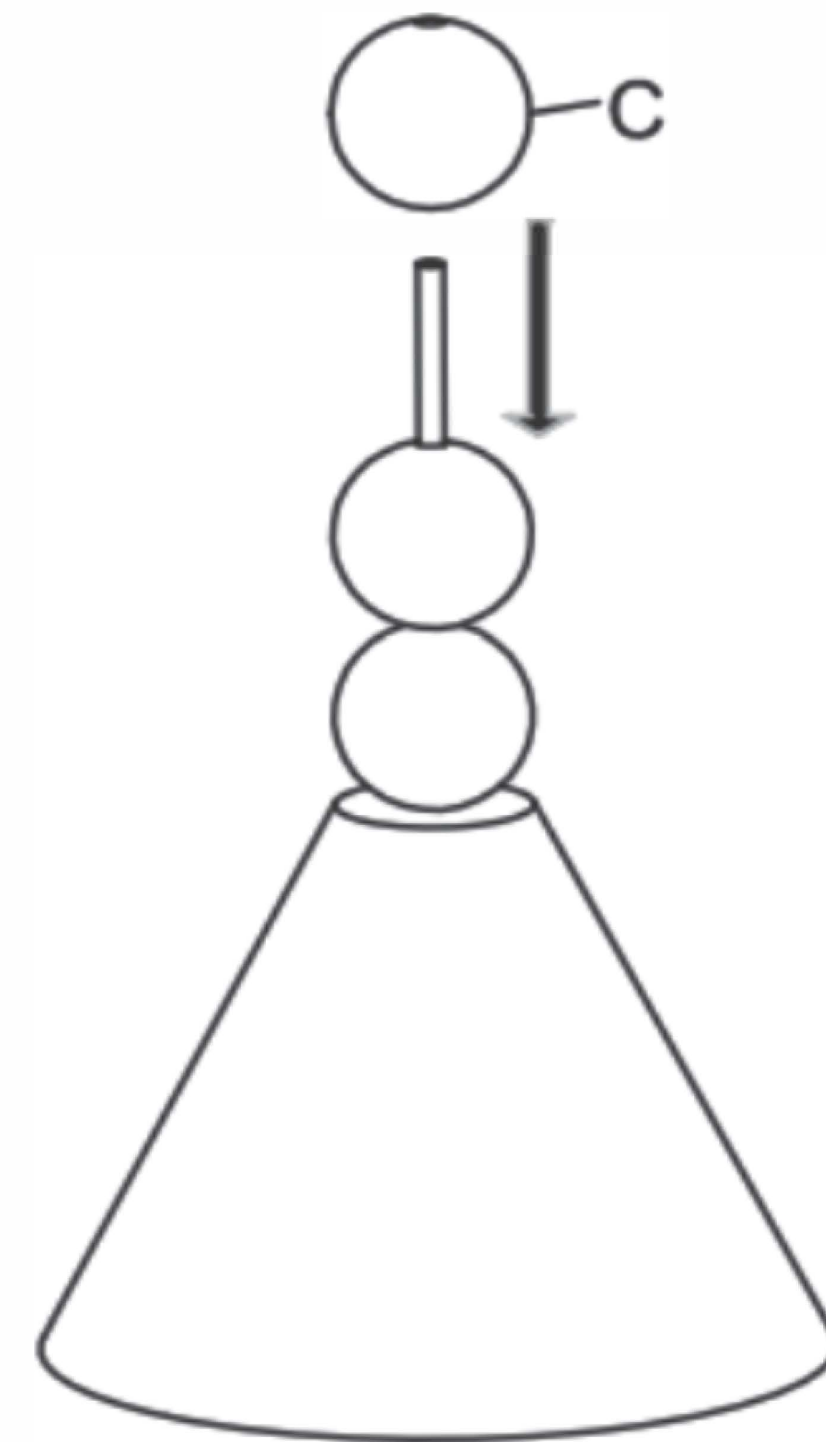


1 PCS

Step 1: Attach B to base D and tighten.



Step 2: Place the 3 balls C over B.



Step 3: Attach the table top A to B and tighten.

