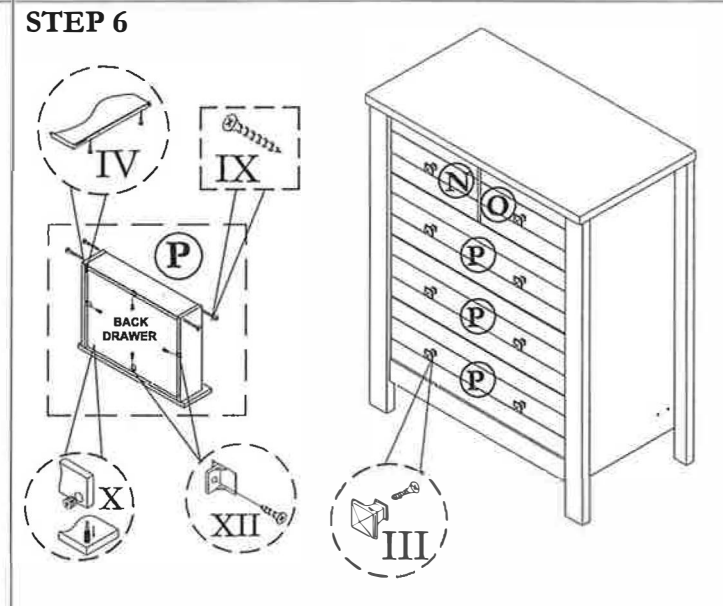
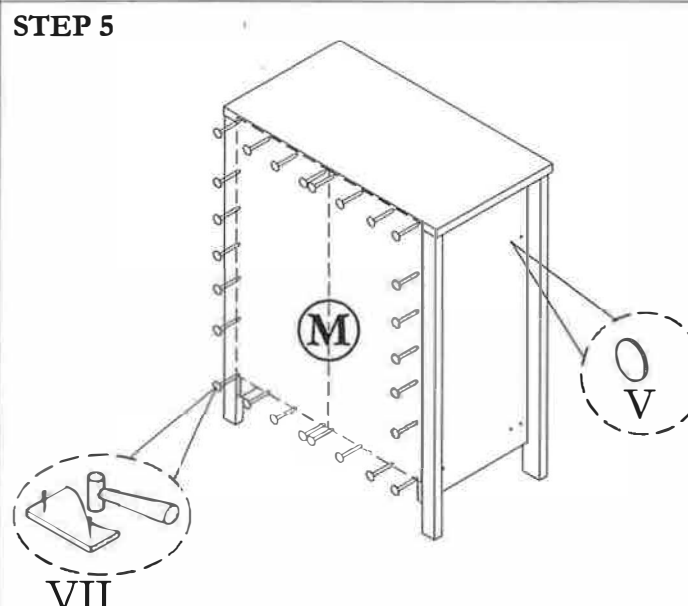
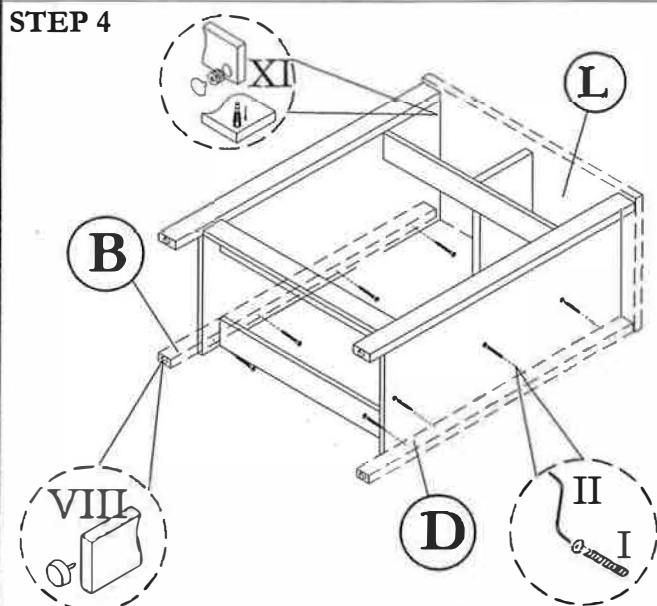
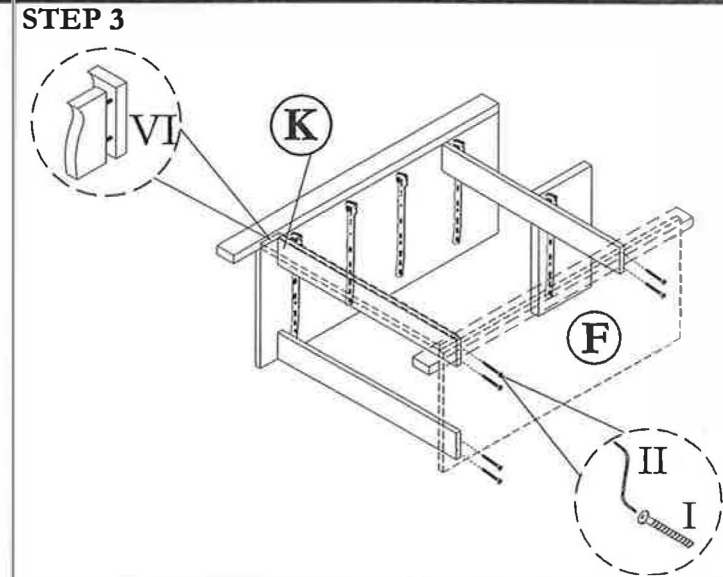
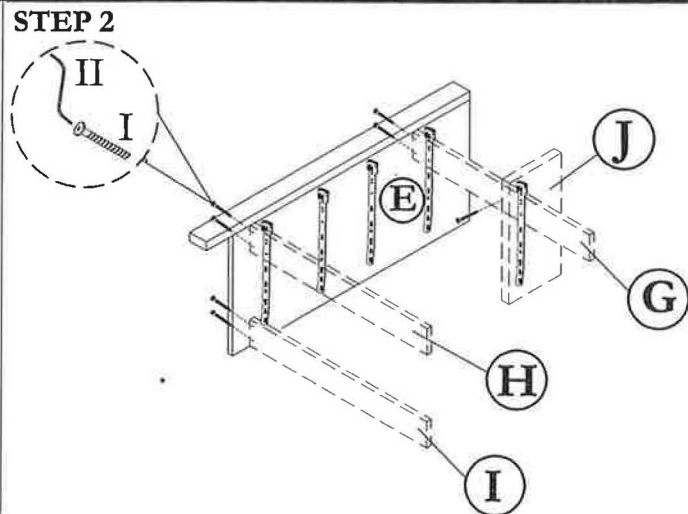
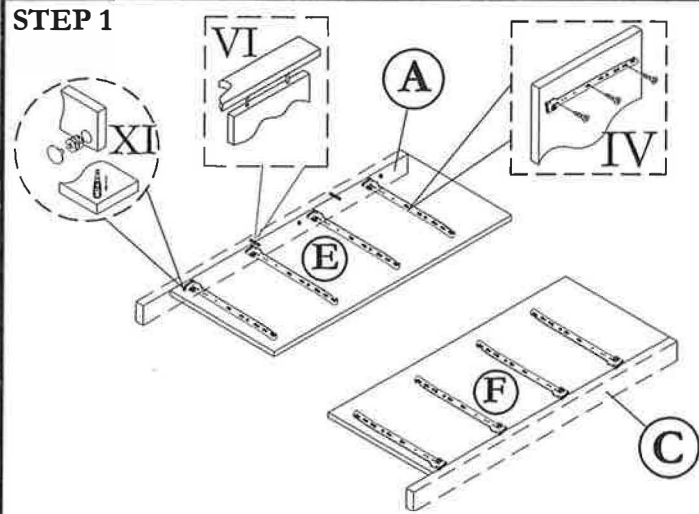


ASSEMBLY INSTRUCTION

MODEL : 4125 / CHEST OF DRAWER **pake**^{world} 123-000158

Before you begin, please follow assembly instruction carefully. Then follow them step by step.



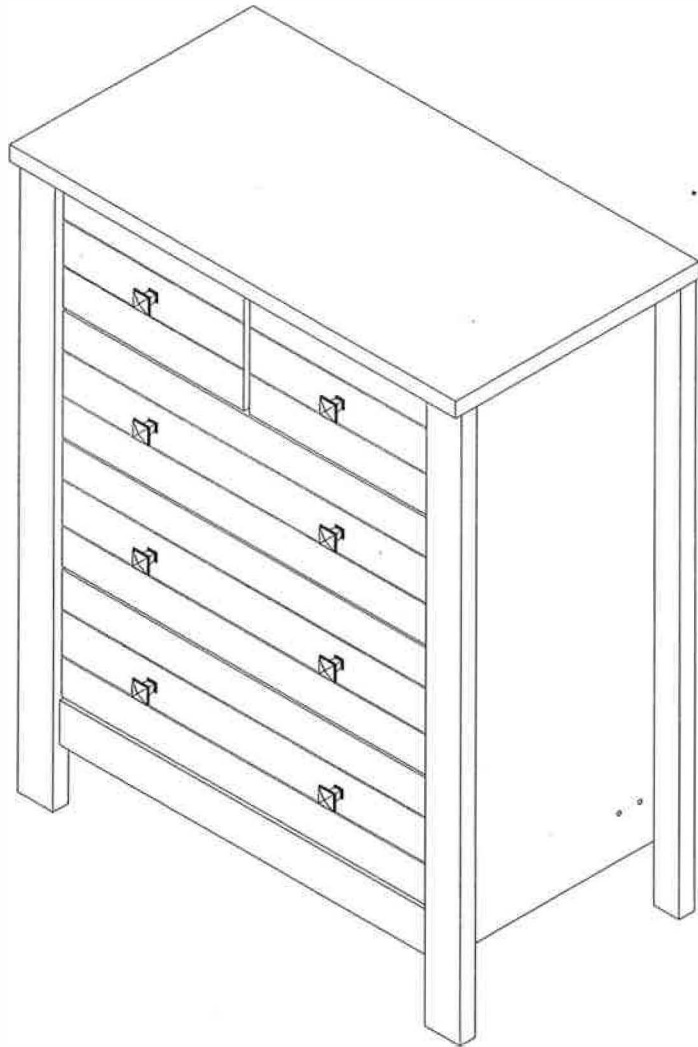
HARDWARE LIST			
NO	DESCRIPTION		QTY
I	JCBCW SCREW M6 x 45		21pcs
II	M4 ALLEN KEY		1pc
III	HANDLE & SCREW M4 x 22		8sets

IV	12" DRAWER SLIDER & SCREW M3.5 x 12		5sets
V	STICKER		10pcs
VI	M8 x 30 WOOD DOWEL		8pcs
VII	NAIL		40pcs
VIII	PVC NAIL WITH PIN		4pcs

IX	M8 x 32 CHIPBOARD SCREW		20pcs
X	Q-FIT		26sets
XI	Q-FIT (small)		6sets
XII	DRAWER SUPPORT & SCREW M3.5 x 12		12sets

CAUTION:

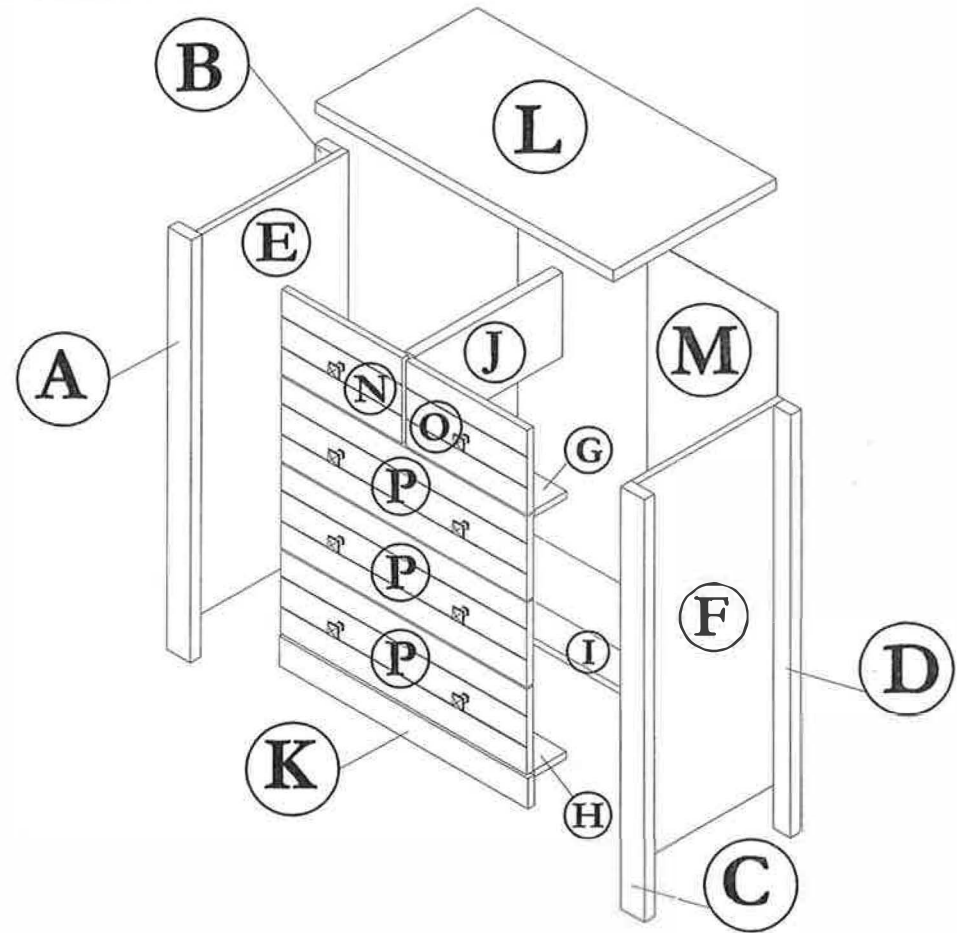
To clean use soft, dry cloth. Do not use detergent or chemicals
Avoid contact with water and direct sunlight.
To be assembled on a soft, dry, clean and smooth surface.



COMPLETE SET

ORDERING REPAIR PARTS

In order to obtain smooth and rapid service when ordering repair parts,
please give full attention to the following of PART NUMBER.



NO	DESCRIPTION	QTY
A	LEFT SIDE WRAPPING (Front)	01
B	LEFT SIDE WRAPPING (Back)	01
C	RIGHT SIDE WRAPPING (Front)	01
D	RIGHT SIDE WRAPPING (Back)	01
E	LEFT SIDE	01
F	RIGHT SIDE	01
G	CENTRE SHELF	01
H	CENTRE SHELF	01

NO	DESCRIPTION	QTY
I	CENTRE SHELF (Back)	01
J	CENTRE VERTICAL	01
K	LEG	01
L	TOP	01
M	BACK	02
N	DRAWER FACE (Left)	01
O	DRAWER FACE (Right)	01
P	DRAWER FACE	03