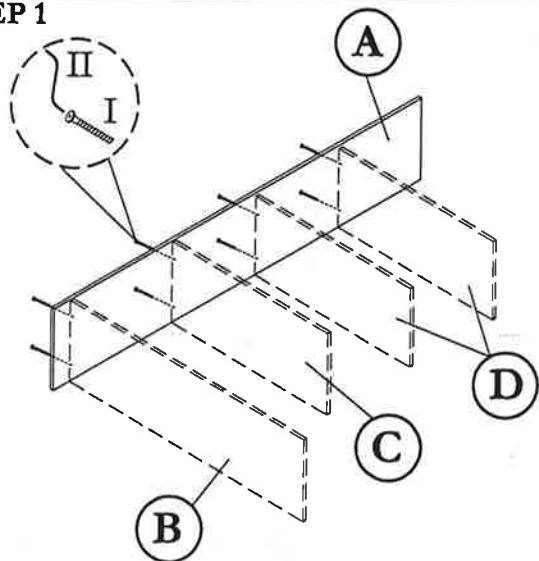


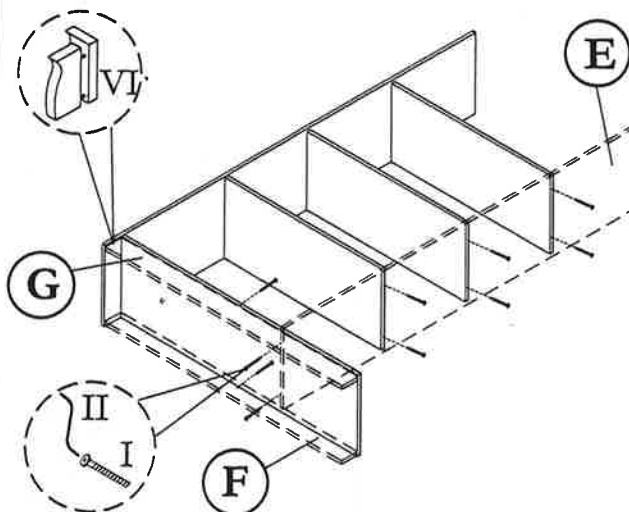
ASSEMBLY INSTRUCTION
MODEL : 1223 / BOOKCASE

Before you begin, please follow assembly instruction carefully.
 Then follow them step by step.

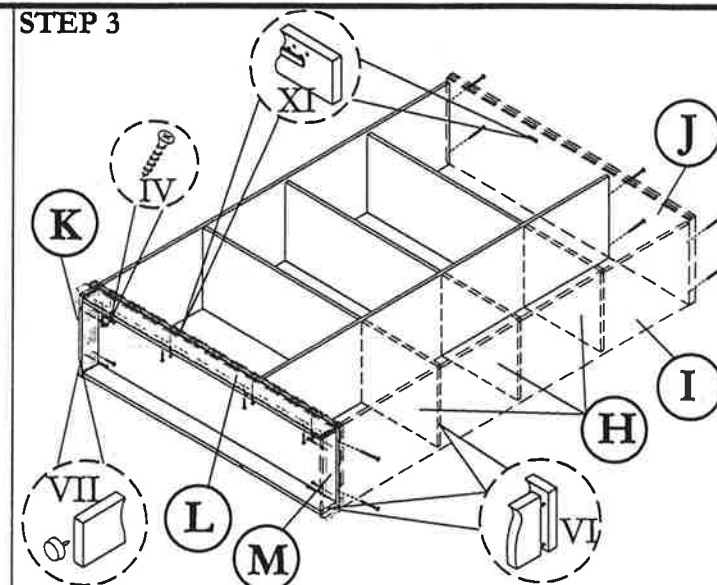
STEP 1



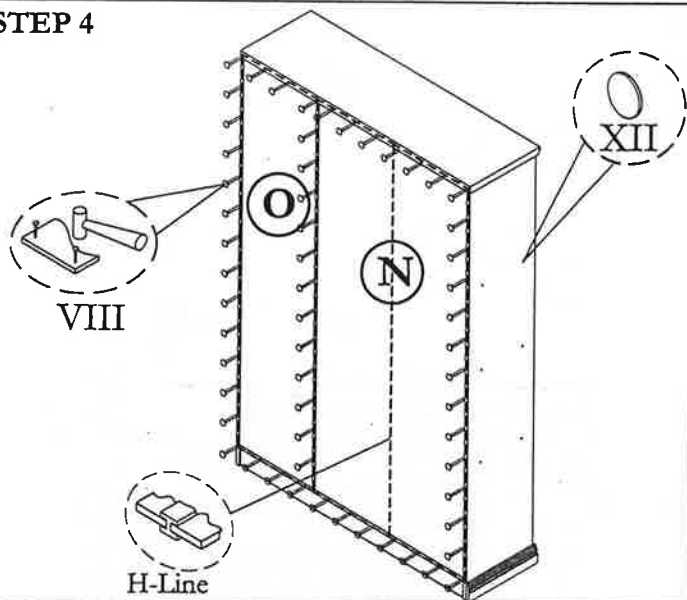
STEP 2



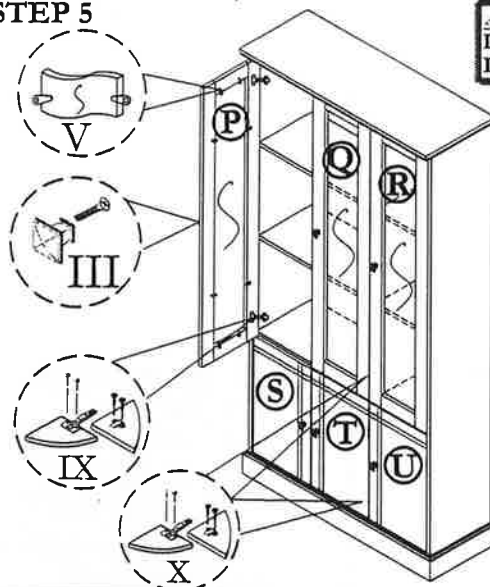
STEP 3



STEP 4

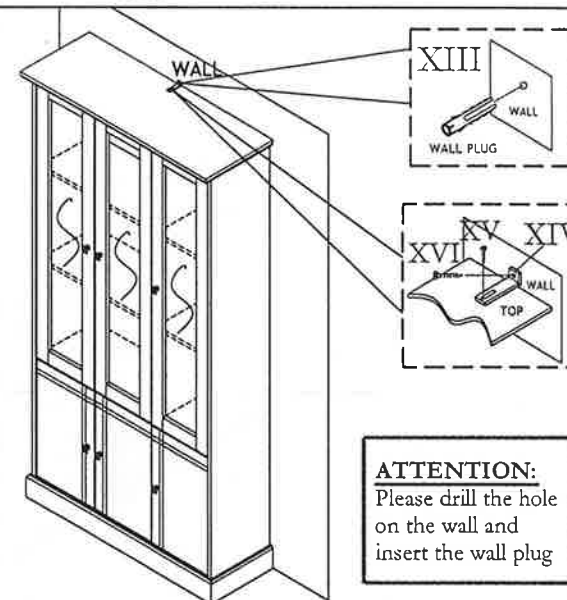


STEP 5



ATTENTION
 Door P,R,S & T use Hinge (C)
 Door Q & T use Hinge (B)

STEP 6



ATTENTION:
 Please drill the hole
 on the wall and
 insert the wall plug

HARDWARE LIST

NO	DESCRIPTION	QTY
I	JCBCW SCREW M6.3 x 50	26pcs
II	M4 ALLEN KEY	1pc
III	HANDLE & SCREW M4 x 22	6sets
IV	M4 x 25 CHIPBOARD SCREW	16pcs

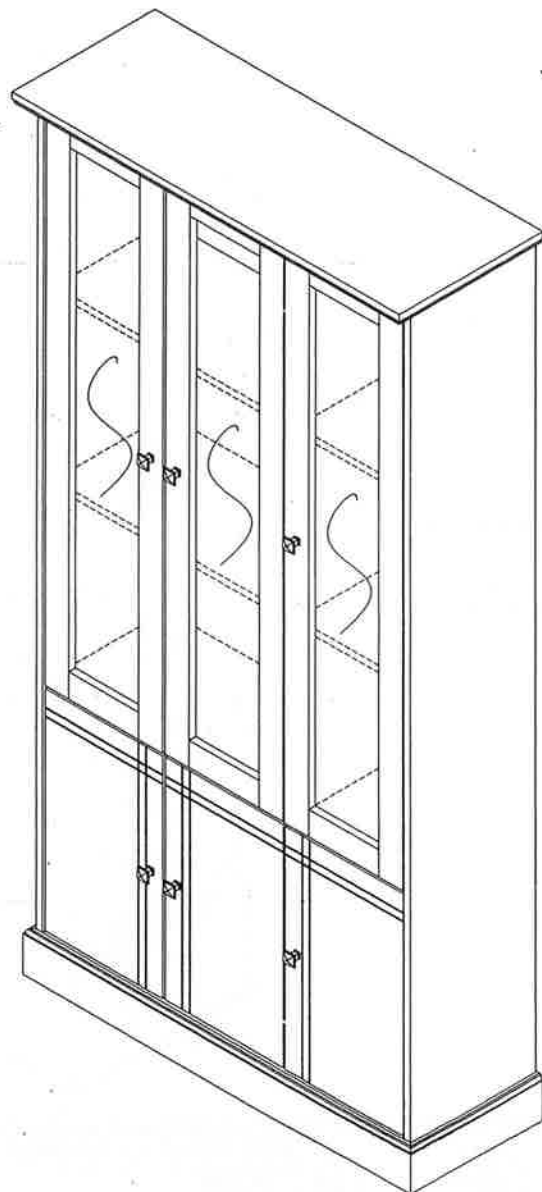
V	PE CLIP & SCREW M3.5 X 16	24sets
VI	M8 x 30 DOWEL	20pcs
VII	PVC NAIL WITH PIN	6pcs
VIII	NAIL	70pcs
IX	HINGE(C) & SCREW M3.5 x 16	8sets
X	HINGE(B) & SCREW M3.5 x 16	4sets

XI	HIPS STOPPER & SCREW M3.5 x 16	2sets
XII	STICKER	6pcs
XIII	WALL PLUG	1pc
XIV	L-BRACKET	1pc
XV	M4 x 16 CHIPBOARD SCREW	1pc
XVI	M4 x 38 CHIPBOARD SCREW	1pc

CAUTION:

To clean use soft, dry cloth. Do not use detergent or chemicals
Avoid contact with water and direct sunlight.

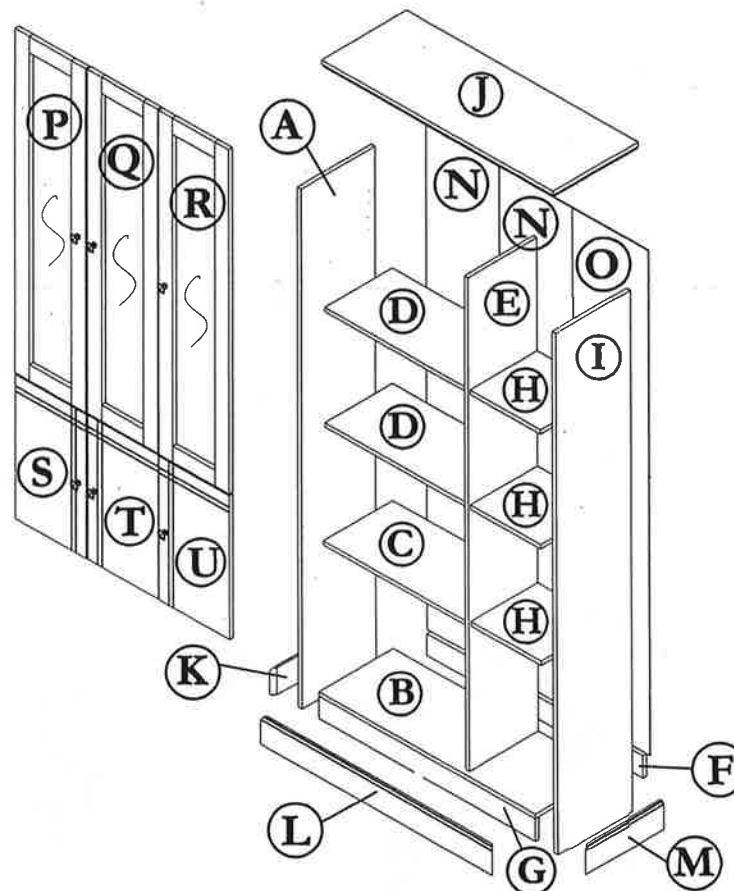
To be assembled on a soft, dry, clean and smooth surface.



COMPLETE SET

ORDERING REPAIR PARTS

In order to obtain smooth and rapid service when ordering repair parts, please give full attention to the following of PART NUMBER.



NO	DESCRIPTION	QTY
A	LEFT SIDE	01
B	LOWER SHELF	01
C	CENTRE SHELF	01
D	CENTRE SHELF	02
E	CENTRE VERTICAL	01
F	LEG (Back)	01
G	LEG (Front)	01
H	CENTRE SHELF	03
I	RIGHT SIDE	01
J	TOP	01
K	LEFT SIDE WRAPPING	01

NO	DESCRIPTION	QTY
L	FRONT WRAPPING	01
M	RIGHT SIDE WRAPPING	01
N	BACK (Left)	02
O	BACK (Right)	01
P	LEFT SIDE DOOR (Top)	01
Q	CENTRE DOOR (Top)	01
R	RIGHT SIDE DOOR (Top)	01
S	LEFT SIDE DOOR (Bottom)	01
T	CENTRE DOOR (Bottom)	01
U	RIGHT SIDE DOOR (Bottom)	01