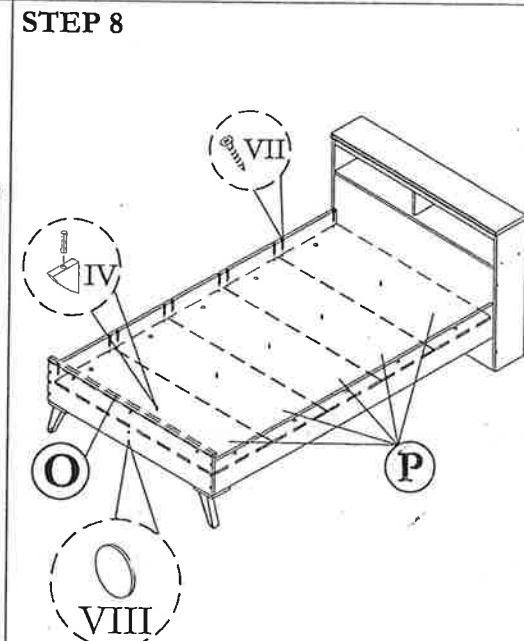
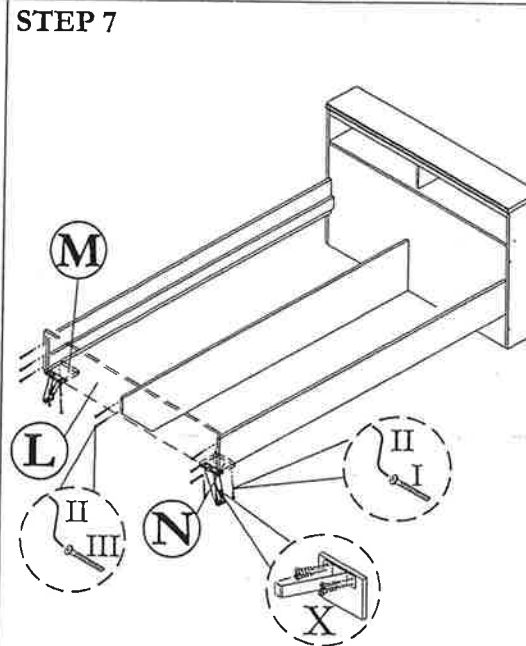
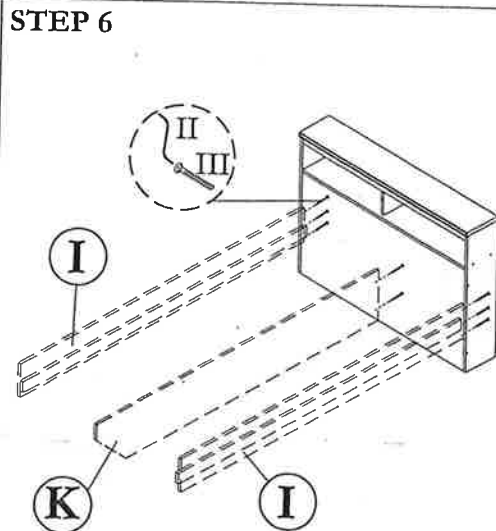
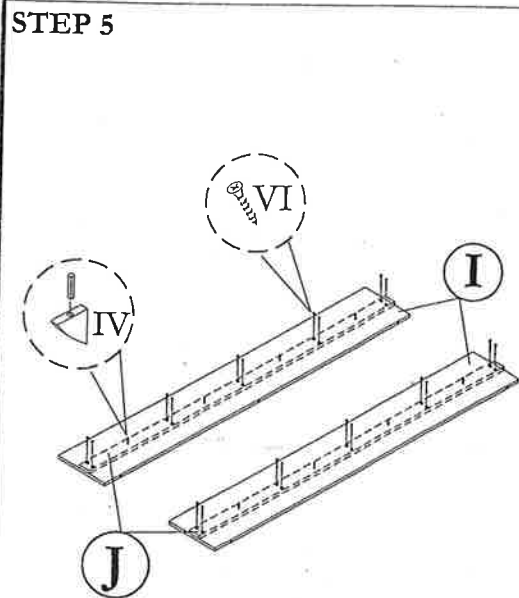
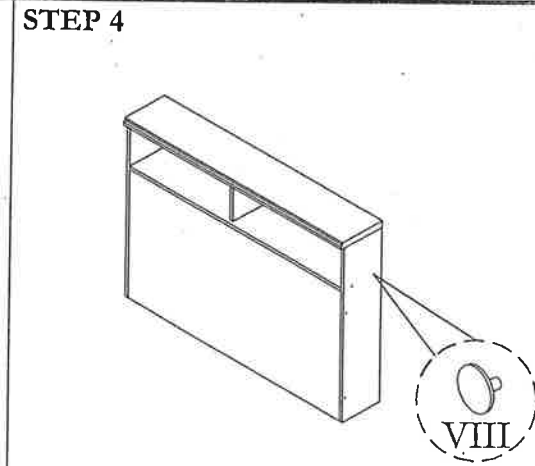
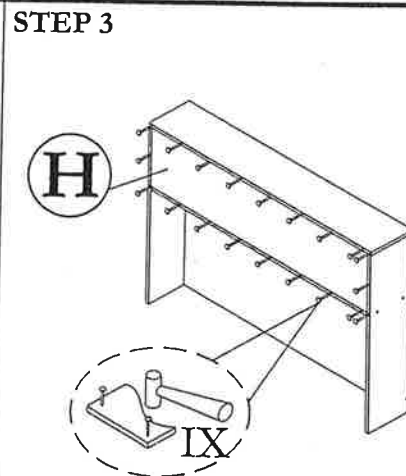
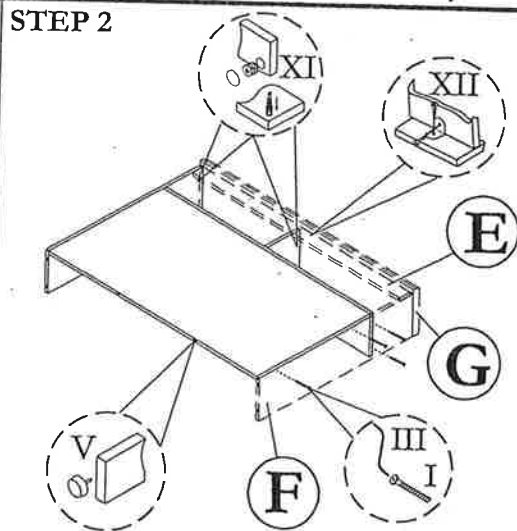
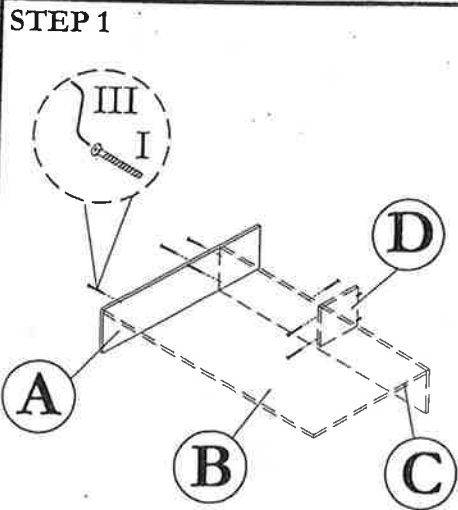


ASSEMBLY INSTRUCTION

MODEL : / SINGLE BED (1000 X 2000)

123-000103

Before you begin, please follow assembly instruction carefully. Then follow them step by step.



HARDWARE LIST

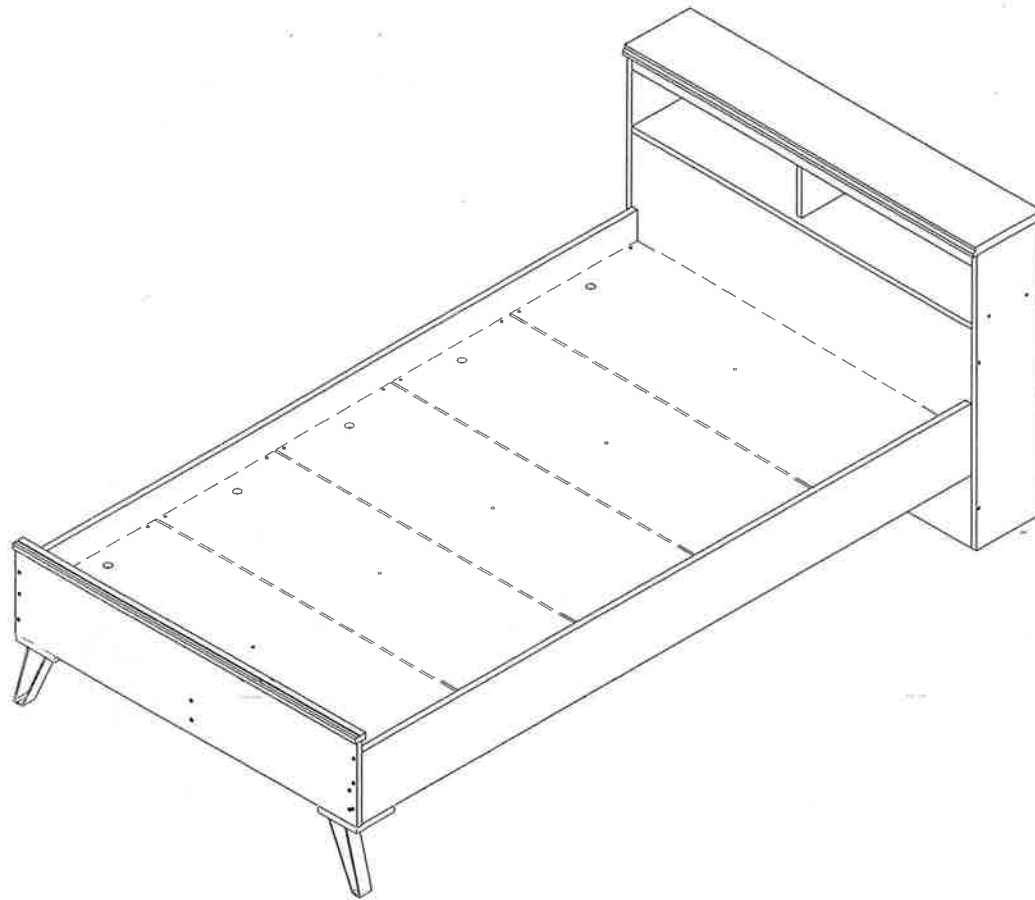
NO	DESCRIPTION	QTY
I	JCBCW SCREW M6 x 45	19pcs
II	JCBCW SCREW M6 x 60	16pcs
III	M4 ALLEN KEY	1pc

IV	M8 x 30 PLASTIC DOWEL	17pcs
V	PVC NAIL WITH PIN	9pcs
VI	M3.5 x 30 CHIPBOARD SCREW	20pcs
VII	M4 x 25 CHIPBOARD SCREW	20pcs
VIII	STICKER	17pcs

IX	NAIL	30pcs
X	180mm METAL LEG & SCREW M4 x 18	2sets
XI	Q-FIT	8sets
XII	METAL L BRACKET & SCREW M3.5 x 12	1sets

CAUTION:

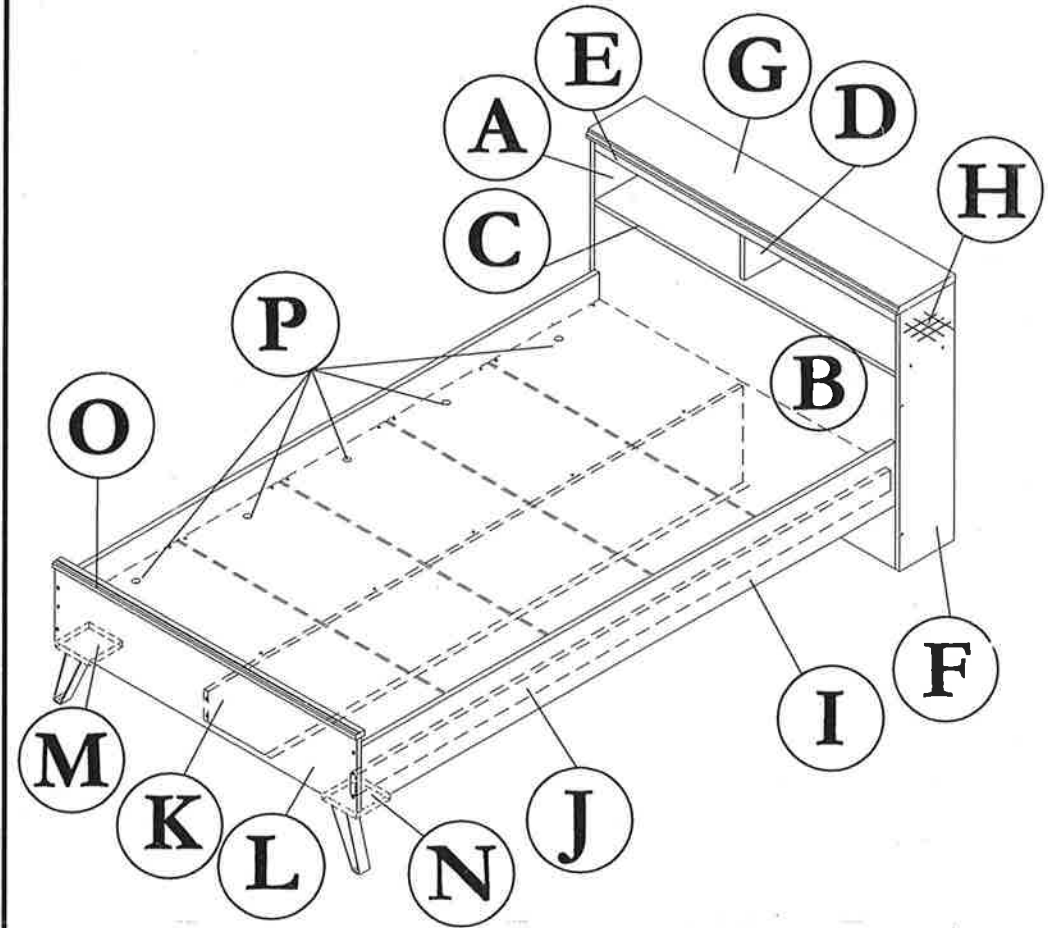
To clean use soft, dry cloth. Do not use detergent or chemicals
 Avoid contact with water and direct sunlight.
 To be assembled on a soft, dry, clean and smooth surface.



COMPLETE SET

ORDERING REPAIR PARTS

In order to obtain smooth and rapid service when ordering repair parts,
 please give full attention to the following of PART NUMBER.



NO	DESCRIPTION	QTY
A	LEFT SIDE (Head)	01
B	BACK VERTICAL (Head)	01
C	CENTRE SHELF (Head)	01
D	CENTRE VERTICAL (Head)	01
E	TOP SUPPORT (Head)	01
F	RIGHT SIDE (Head)	01
G	TOP (Head)	01
H	BACK (Head)	01
I	SIDE (Body)	02

NO	DESCRIPTION	QTY
J	SIDE SUPPORT (Body)	02
K	CENTRE VERTICAL (Body)	01
L	FRONT VERTICAL (Body)	01
M	LEFT SIDE SHELF (Body)	01
N	RIGHT SIDE SHELF (Body)	01
O	FRONT VERTICAL WRAPPING	01
P	DECORATIVE BOARD	05