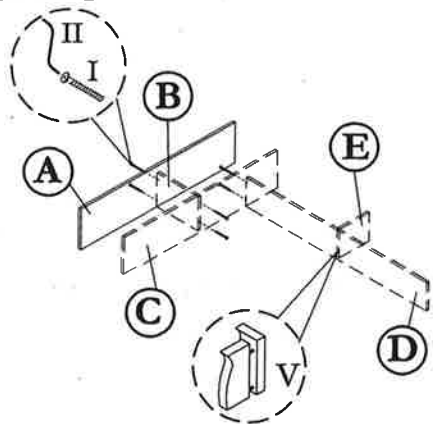


ASSEMBLY INSTRUCTION

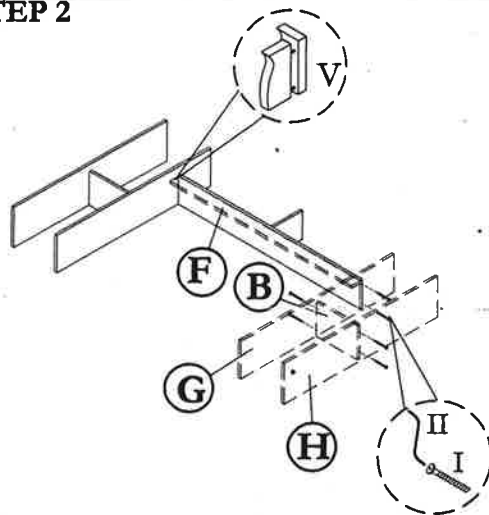
MODEL : 8243 / TV CABINET

Before you begin, please follow assembly instruction carefully.
Then follow them step by step.

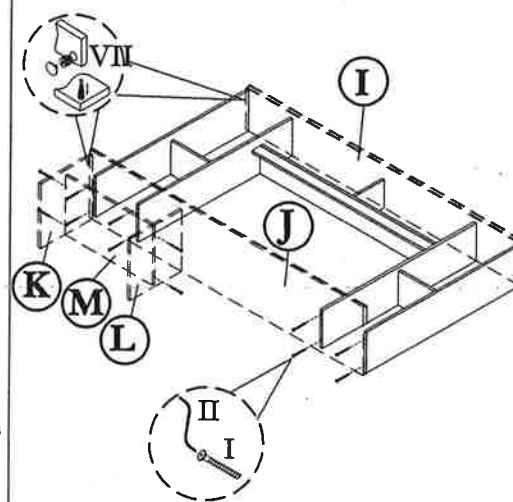
STEP 1



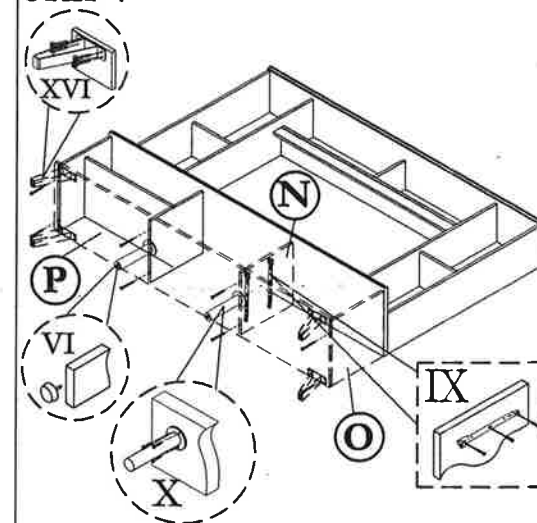
STEP 2



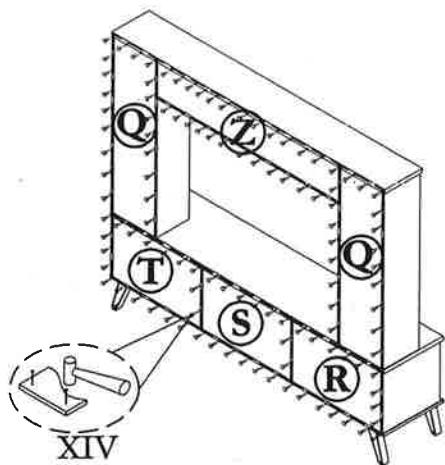
STEP 3



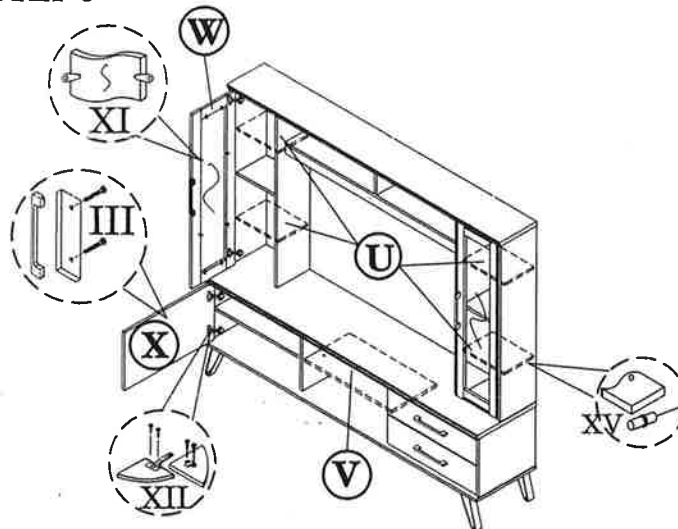
STEP 4



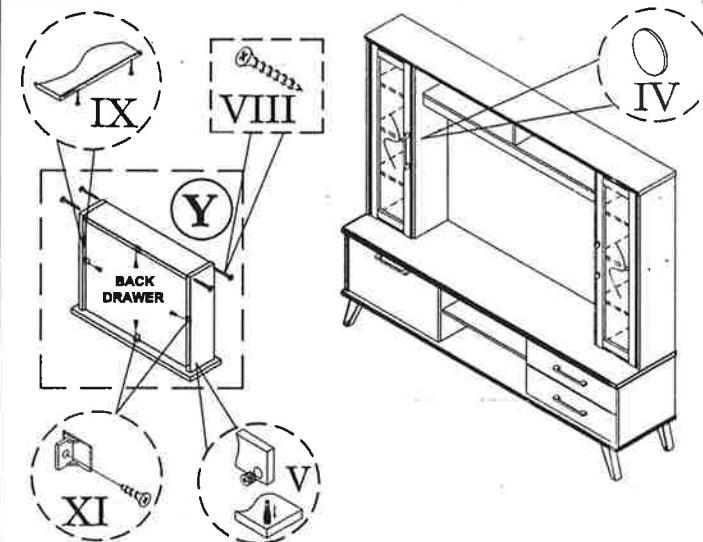
STEP 5



STEP 6



STEP 7



HARDWARE LIST		
NO	DESCRIPTION	QTY
I	JCBCW SCREW M6.3 x 50	32pcs
II	M4 ALLEN KEY	1pc
III	HANDLE & SCREW M4 x 22	5sets
IV	STICKER	12pcs
V	M8 x 30 DOWEL	8pcs

VI	PVC NAIL WITH PIN	2pcs
VII	Q-FIT	24sets
VIII	M8 X 32 CHIPBOARD SCREW	8pcs
IX	12" DRAWER SLIDER & SCREW M3.5 x 12	2sets
X	180mm PLASTIC LEG & SCREW M3.5 x 16	2sets
XI	PE CLIP & SCREW M3.5 X 16	12sets
XII	HINGES (C) & SCREW M3.5 x 16	6sets

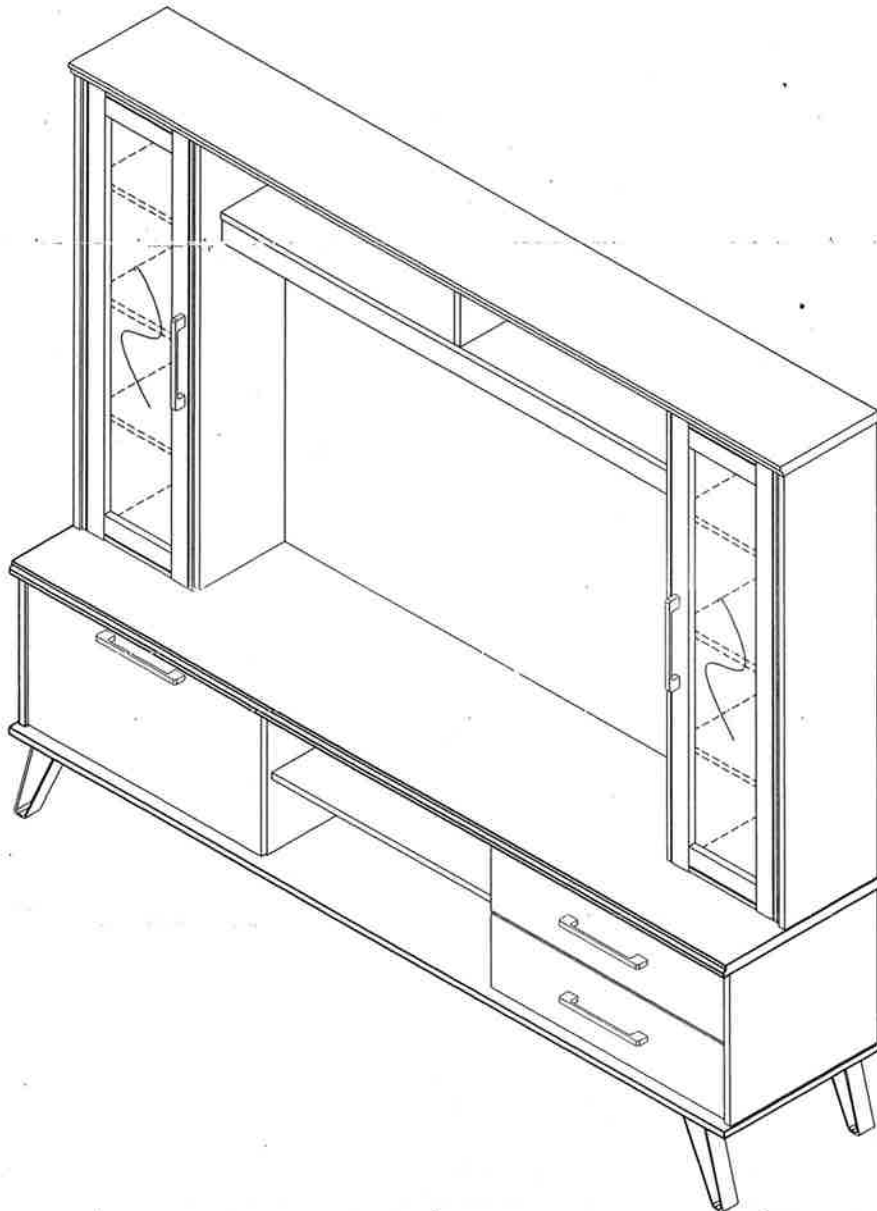
XIII	L BRACKET & SCREW M3.5 x 12	1sets
XIV	NAIL	100pcs
XV	SHELF SUPPORT	20pcs
XVI	180mm METAL LEG & SCREW M4 x 18	4sets

CAUTION:

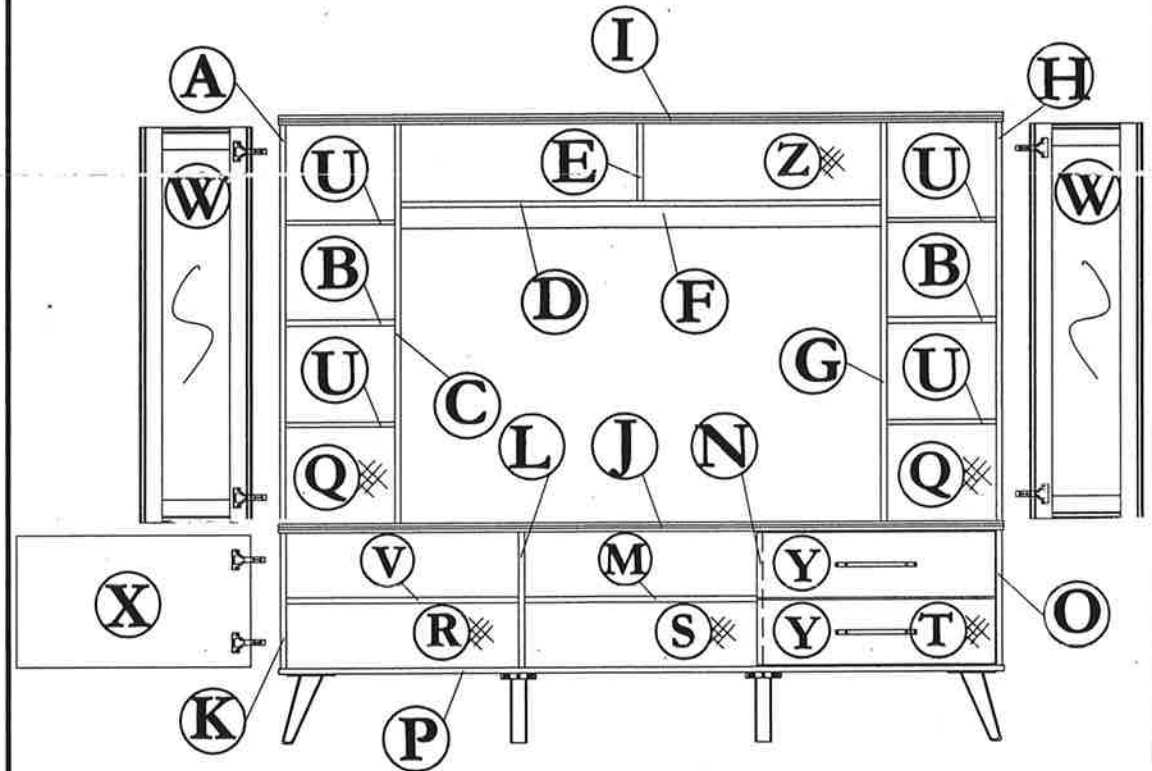
To clean use soft, dry cloth. Do not use detergent or chemicals
 Avoid contact with water and direct sunlight.
 To be assembled on a soft, dry, clean and smooth surface.

ORDERING REPAIR PARTS

In order to obtain smooth and rapid service when ordering repair parts,
 please give full attention to the following of PART NUMBER.



COMPLETE SET



NO	DESCRIPTION	QTY
A	LEFT SIDE (Top)	01
B	CENTRE SHELF (Top)	02
C	CENTRE VERTICAL (Top)	01
D	CENTRE SHELF (Top)	01
E	CENTRE VERTICAL (Top)	01
F	CENTRE SHELF SUPPORT (Top)	01
G	CENTRE VERTICAL (Top)	01
H	RIGHT SIDE (Top)	01
I	TOP (Top)	01

NO	DESCRIPTION	QTY
J	TOP (Bottom)	01
K	LEFT SIDE (Bottom)	01
L	CENTRE VERTICAL (Bottom)	01
M	CENTRE SHELF (Bottom)	01
N	CENTRE VERTICAL (Bottom)	01
O	RIGHT SIDE (Bottom)	01
P	LOWER SHELF (Bottom)	01
Q	BACK (Top)	02
R	BACK (Bottom)	01

NO	DESCRIPTION	QTY
S	BACK (Bottom)	01
T	BACK (Bottom)	01
U	MOVABLE SHELF (Top)	04
V	MOVABLE SHELF (Bottom)	01
W	DOOR (Bottom)	02
X	DOOR (Top)	01
Y	DRAWER FACE	02
Z	BACK (Top)	01