

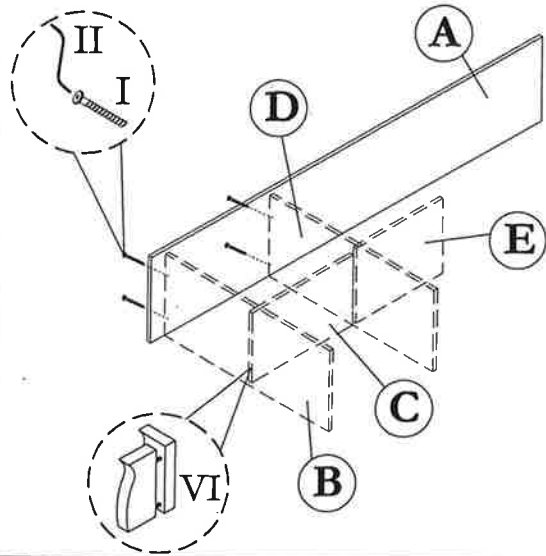
# ASSEMBLY INSTRUCTION

MODEL : / BOOKCASE

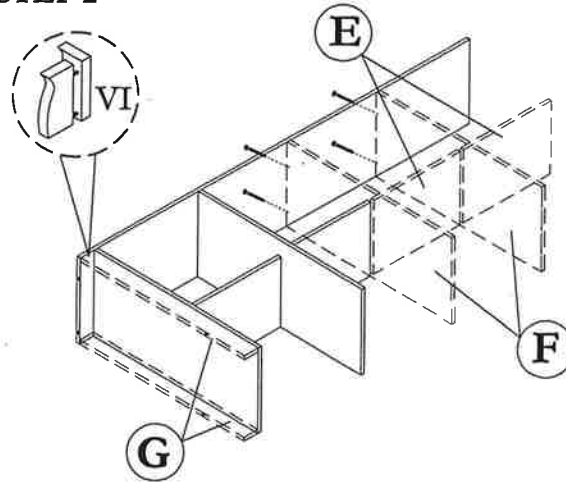
## 123-000082

Before you begin, please follow assembly instruction carefully. Then follow them step by step.

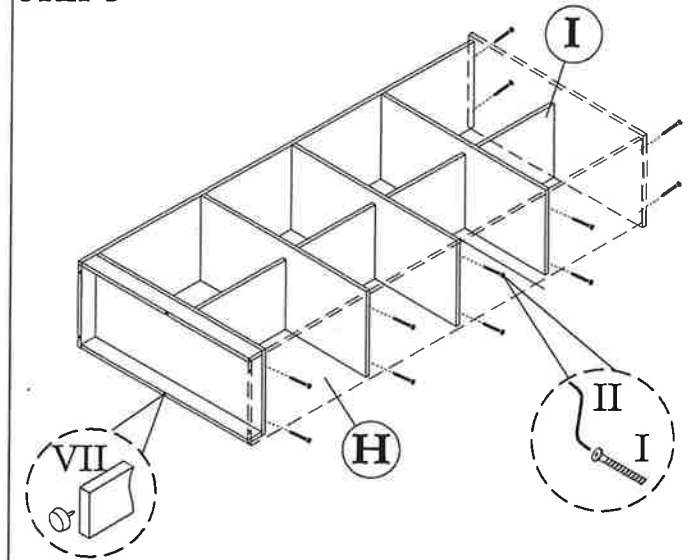
STEP 1



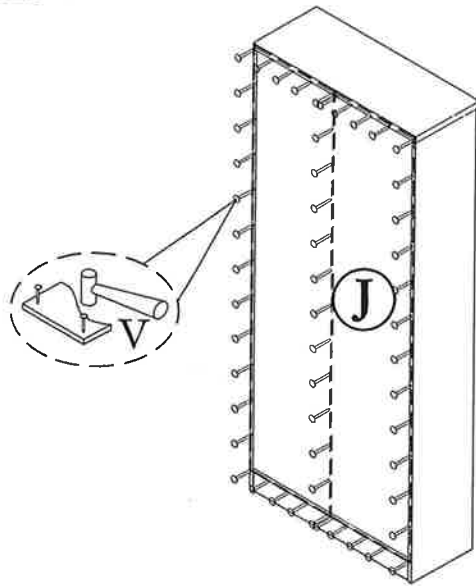
STEP 2



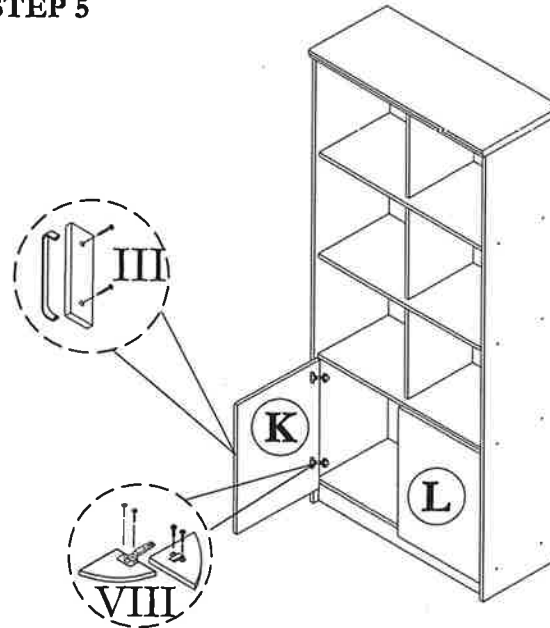
STEP 3



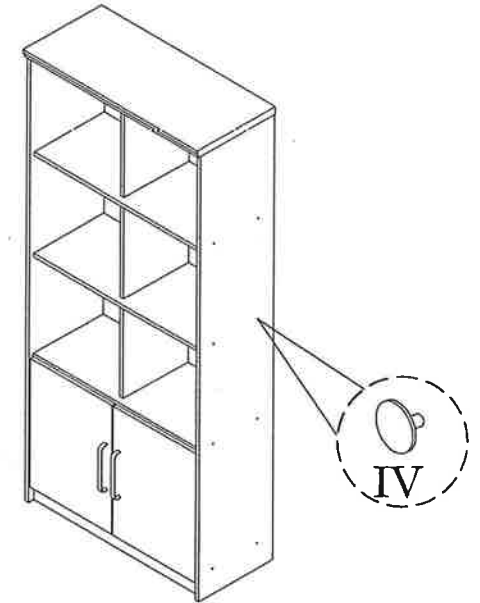
STEP 4



STEP 5



STEP 6



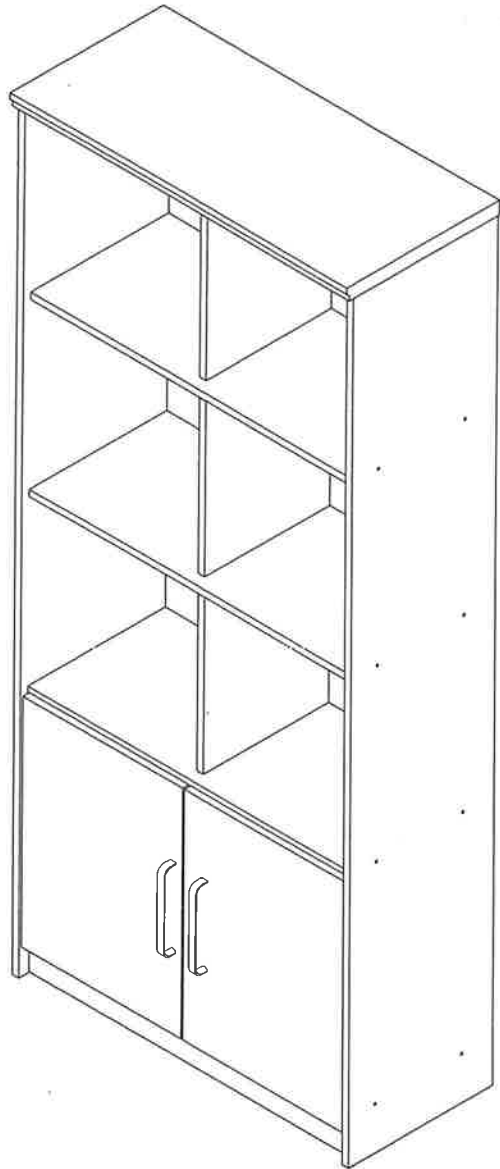
HARDWARE LIST			
NO	DESCRIPTION		QTY
I	JCBCW SCREW M6 x 45		20pcs
II	M4 ALLEN KEY		1pc

III	HANDLE & SCREW M3.5 x 30		2sets
IV	CAP SMALL		16pcs
V	NAIL		60pcs
VI	M8 x 30 PLASTIC DOWEL		24pcs

VII	PVC NAIL WITH PIN		6pcs
VIII	HINGES (C) & SCREW M3.5 x 16		4sets

**CAUTION:**

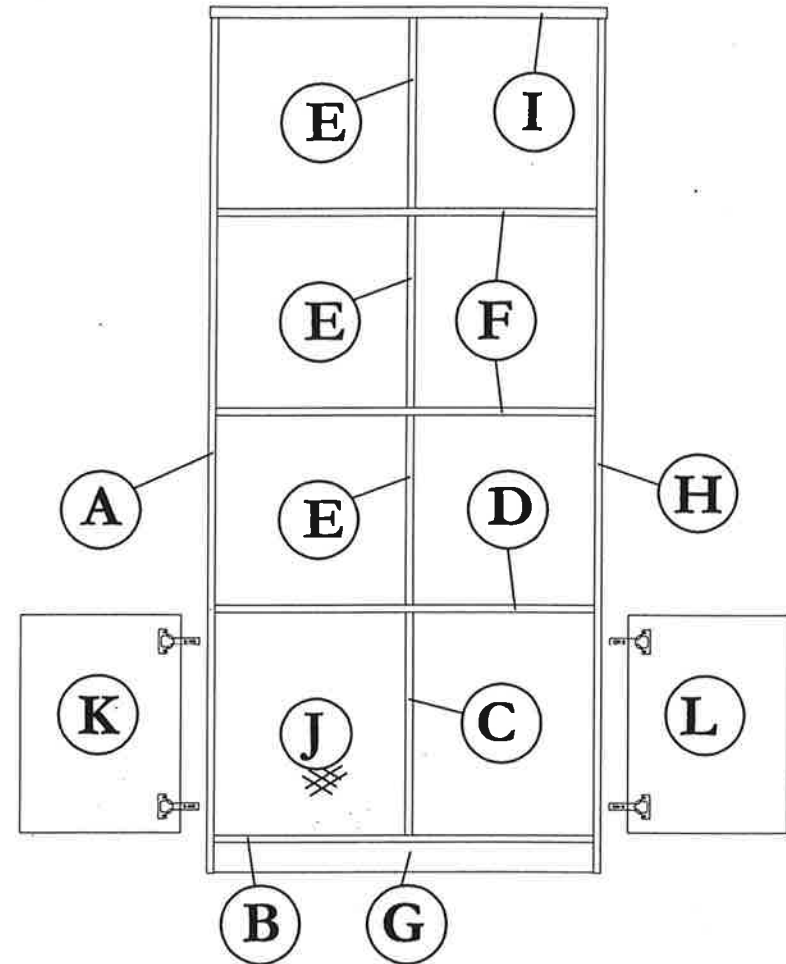
To clean use soft, dry cloth. Do not use detergent or chemicals  
Avoid contact with water and direct sunlight.  
To be assembled on a soft, dry, clean and smooth surface.



# COMPLETE SET

**ORDERING REPAIR PARTS**

In order to obtain smooth and rapid service when ordering repair parts, please give full attention to the following of PART NUMBER.



NO	DESCRIPTION	QTY
A	LEFT SIDE	01
B	LOWER SHELF	01
C	CENTRE VERTICAL (Bottom)	01
D	CENTRE SHELF	01
E	CENTRE VERTICAL	03
F	CENTRE SHELF	02

NO	DESCRIPTION	QTY
G	LEG	02
H	RIGHT SIDE	01
I	TOP	01
J	BACK	02
K	LEFT SIDE DOOR	01
L	RIGHT SIDE DOOR	01