

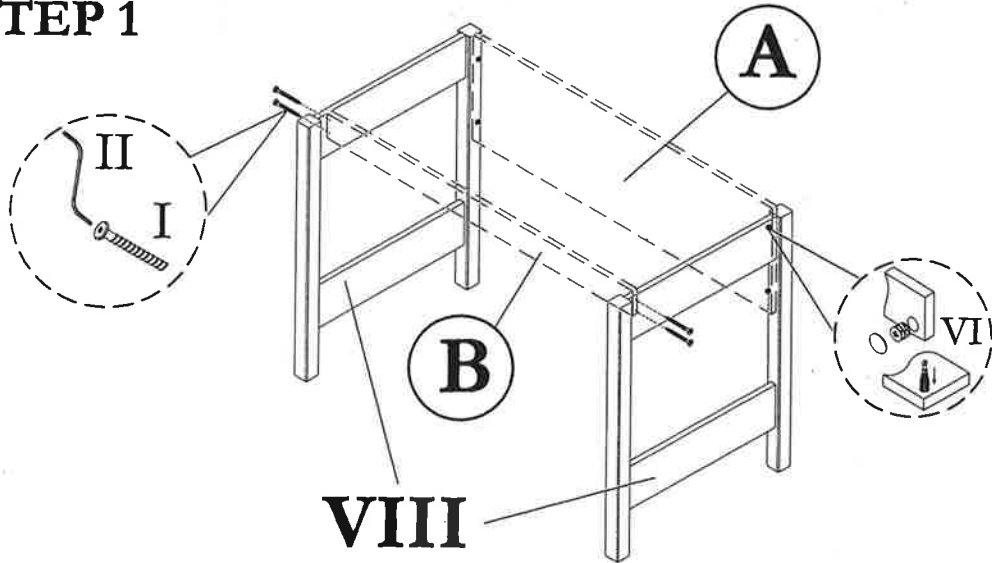
ASSEMBLY INSTRUCTION

MODEL : / OFFICE TABLE

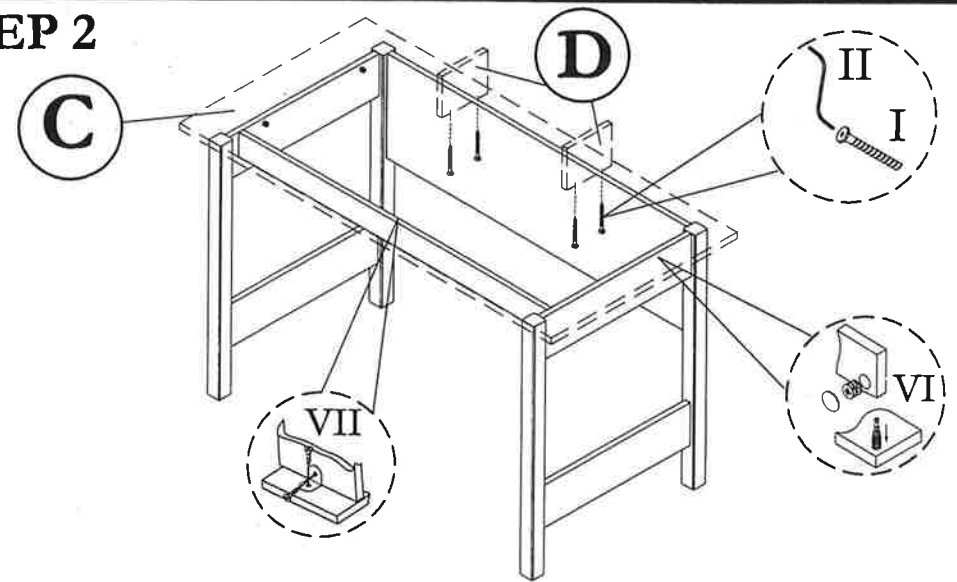
123-000055

Before you begin, please follow assembly instruction carefully. Then follow them step by step.

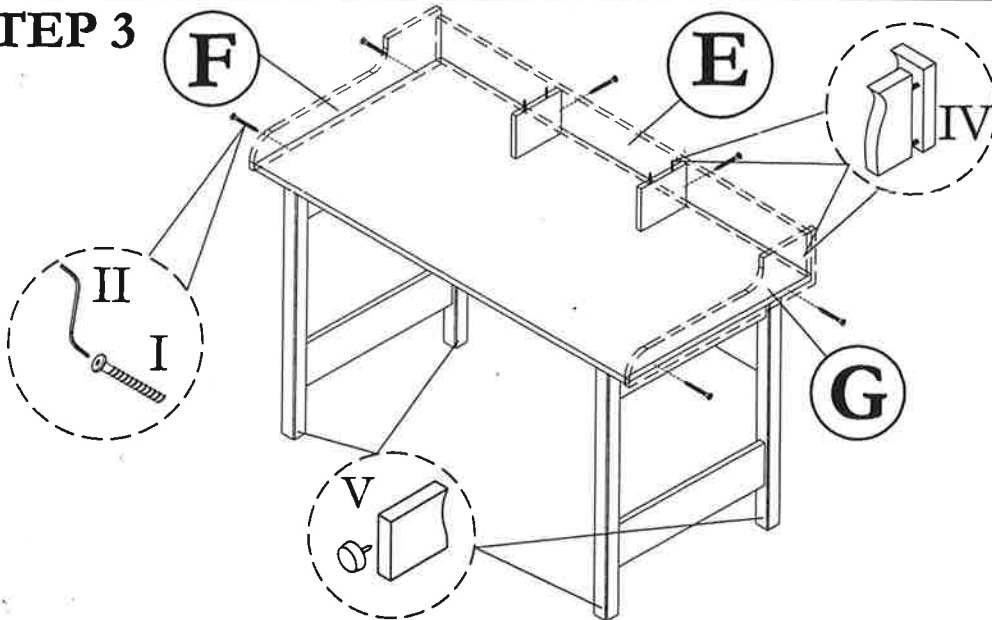
STEP 1



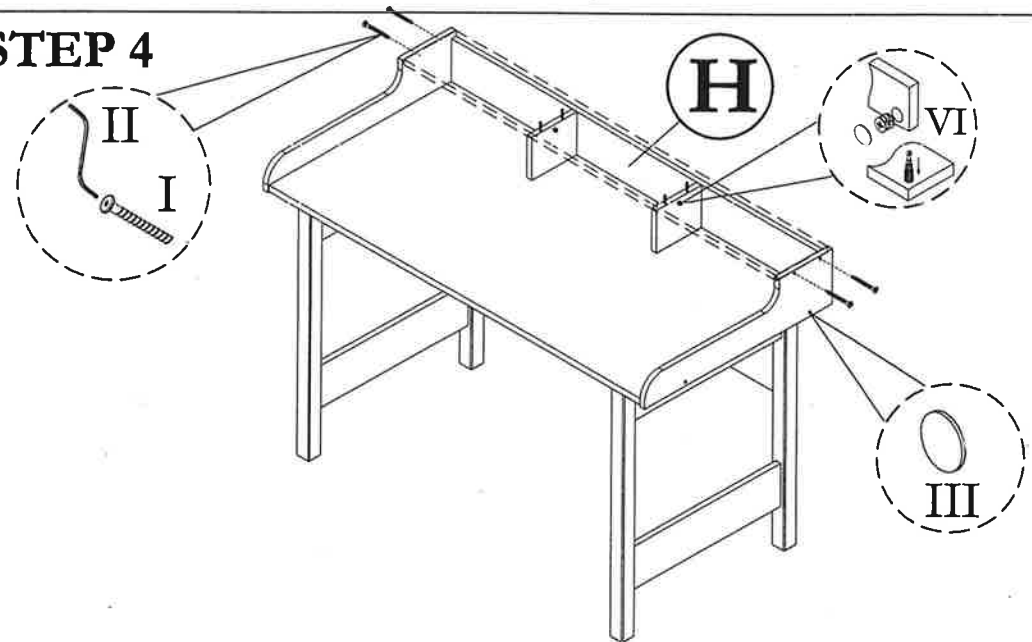
STEP 2



STEP 3



STEP 4



HARDWARE LIST

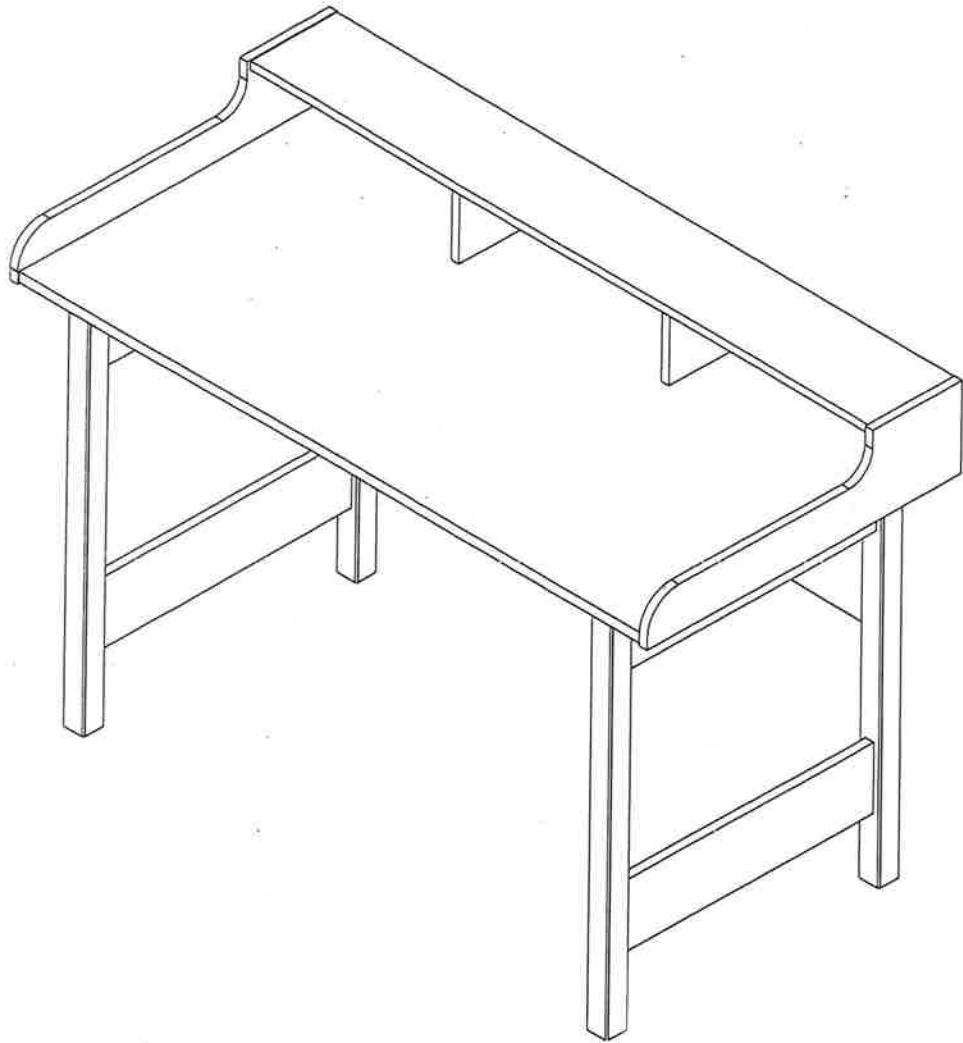
NO	DESCRIPTION	QTY
I	JCBCW SCREW M6 x 45	18pcs
II	M4 ALLEN KEY	1pc

III	STICKER	14pcs
IV	PLASTIC DOWEL	8pcs
V	PVC NAIL WITH PIN	4pcs
VI	Q-FIT	10sets

VII	L BRACKET & SCREW M3.5 x 12	1sets
VIII	WOOD LEG SIZE : 22 0.5/8 "	2pcs

CAUTION:

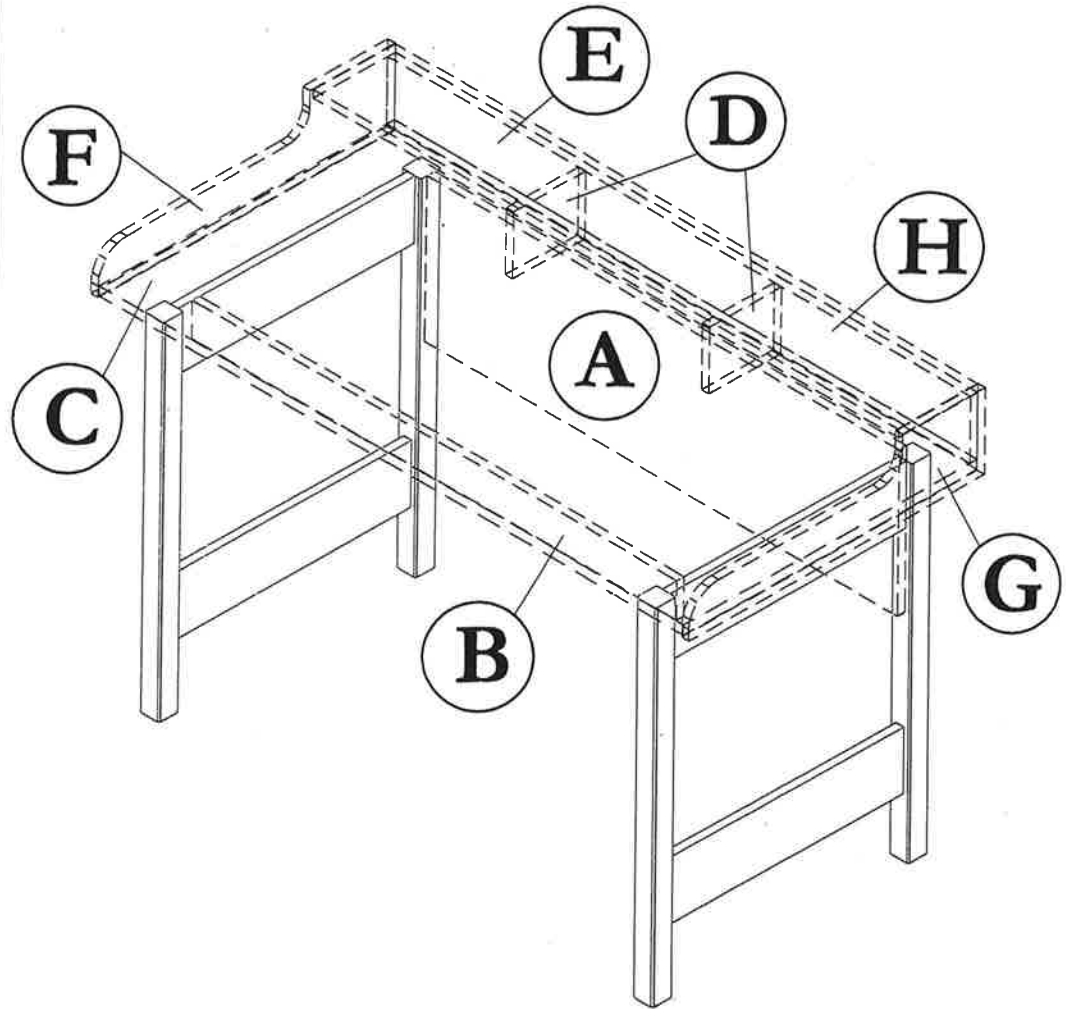
To clean use soft, dry cloth. Do not use detergent or chemicals
Avoid contact with water and direct sunlight.
To be assembled on a soft, dry, clean and smooth surface.



COMPLETE SET

ORDERING REPAIR PARTS

In order to obtain smooth and rapid service when ordering repair parts,
please give full attention to the following of PART NUMBER.



NO	DESCRIPTION	QTY
A	BACK SUPPORT	01
B	TABLE TOP SUPPORT	01
C	TABLE TOP	01
D	CENTRE VERTICAL	02

NO	DESCRIPTION	QTY
E	BACK SUPPORT	01
F	LEFT SIDE	01
G	RIGHT SIDE	01
H	UPPER SHELF	01