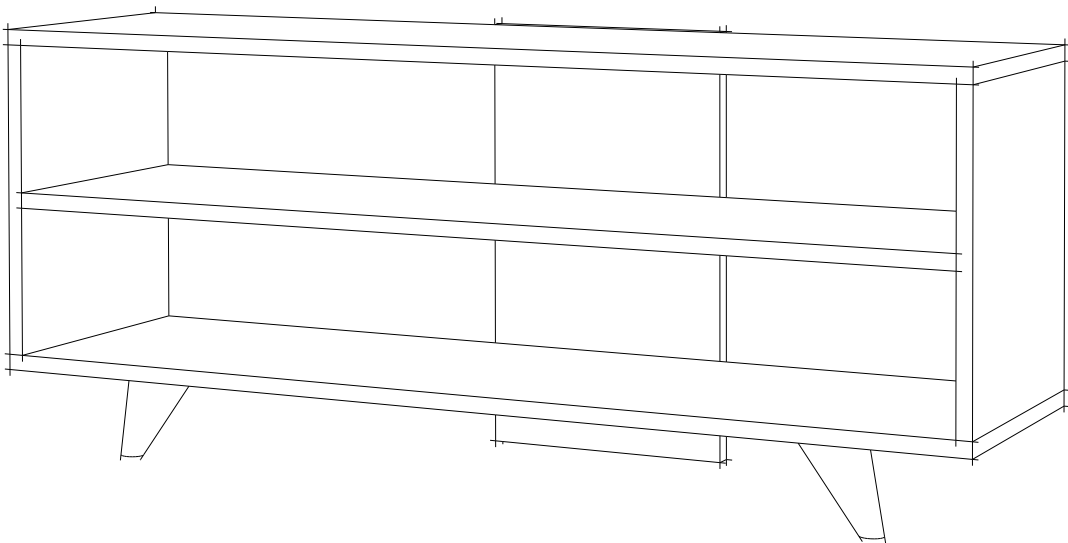
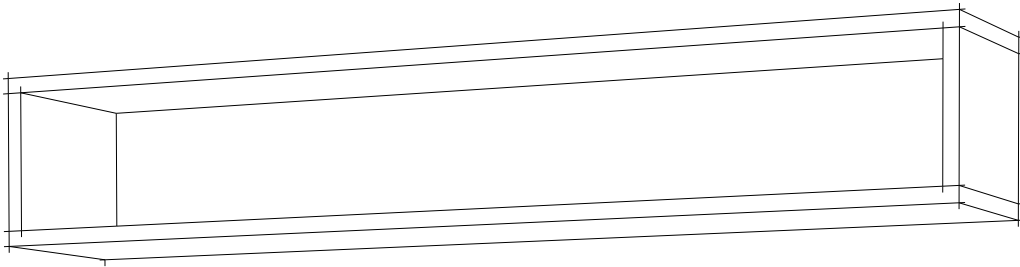


120-000535

---

ASSEMBLY MANUAL





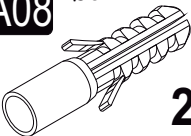

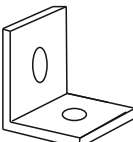
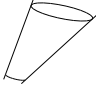


This unit should be assembled by two persons.

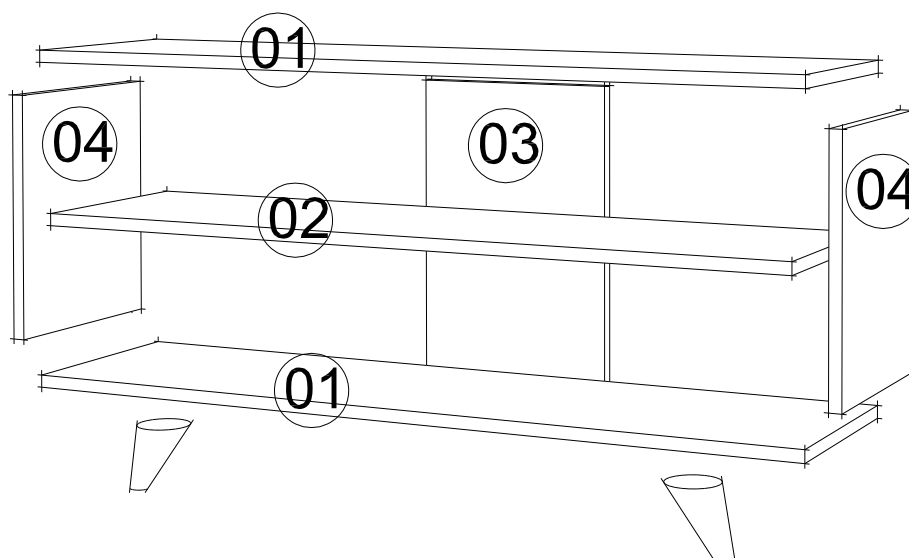
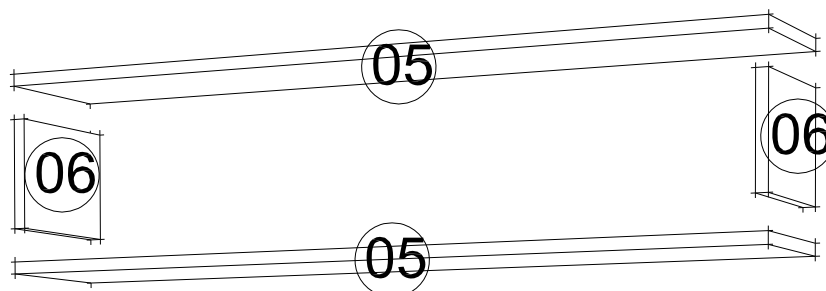


## ACCESSORY LIST

The necessary tools (not included)

<b>A10</b> 3,5x18  <b>20x</b>	<b>A09</b> 4x50  <b>26x</b>	<b>A08</b> Ø8  <b>2x</b>	<b>A16</b>  <b>26x</b>	 <b>2x</b>
<b>A20</b>  <b>2x</b>				

## GENERAL VIEW



# ASSEMBLYMANUAL

