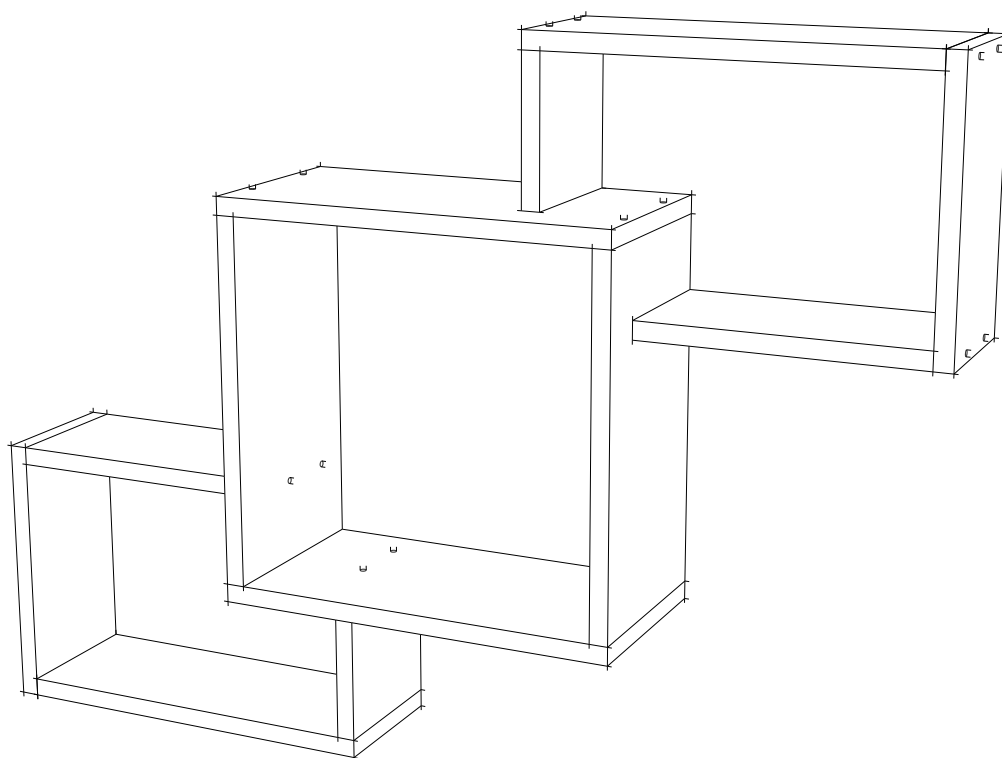

ASSEMBLYMANUAL




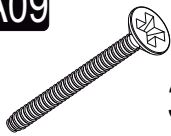


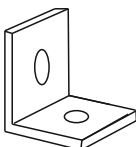


This unit should be assembled by two persons.

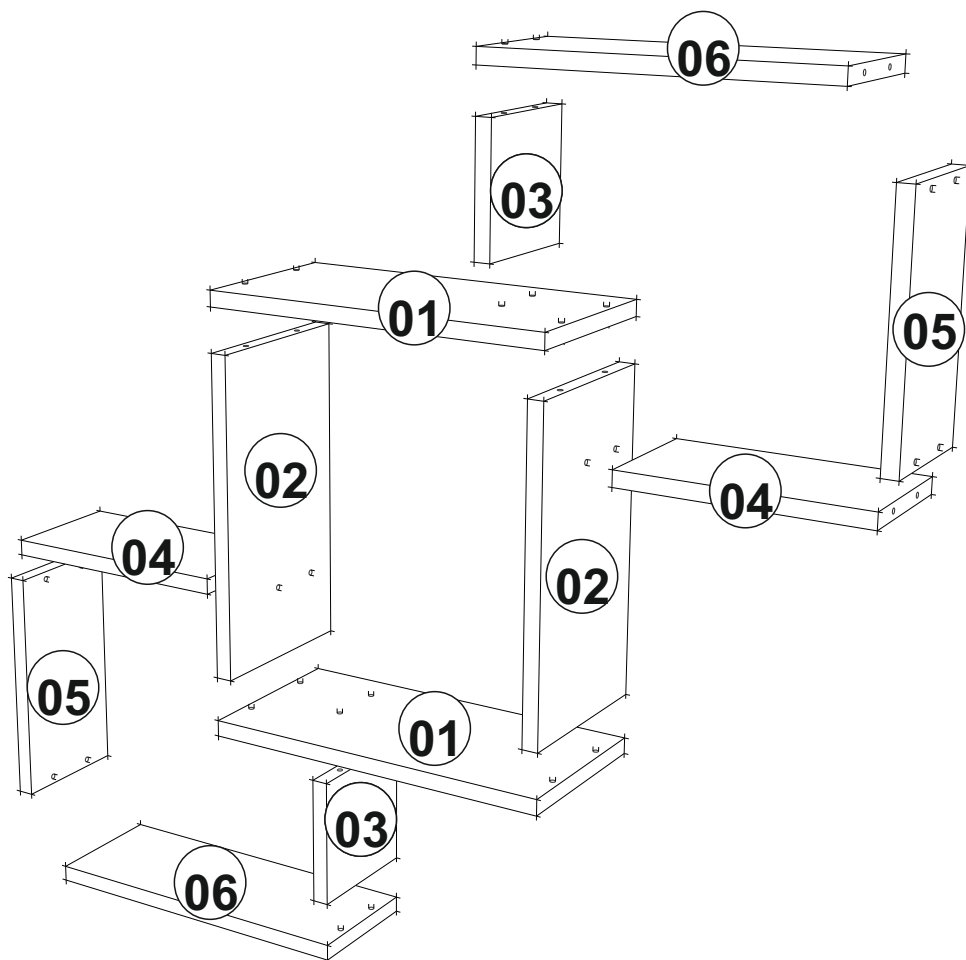


ACCESSORY LIST

The necessary tools (not included)

A10 3,5x18  6x	A09 4x50  32x	A08 Ø8  3x	A16  16x	(L)  3X
--	---	--	--	--

GENERAL VIEW



ASSEMBLY MANUAL

