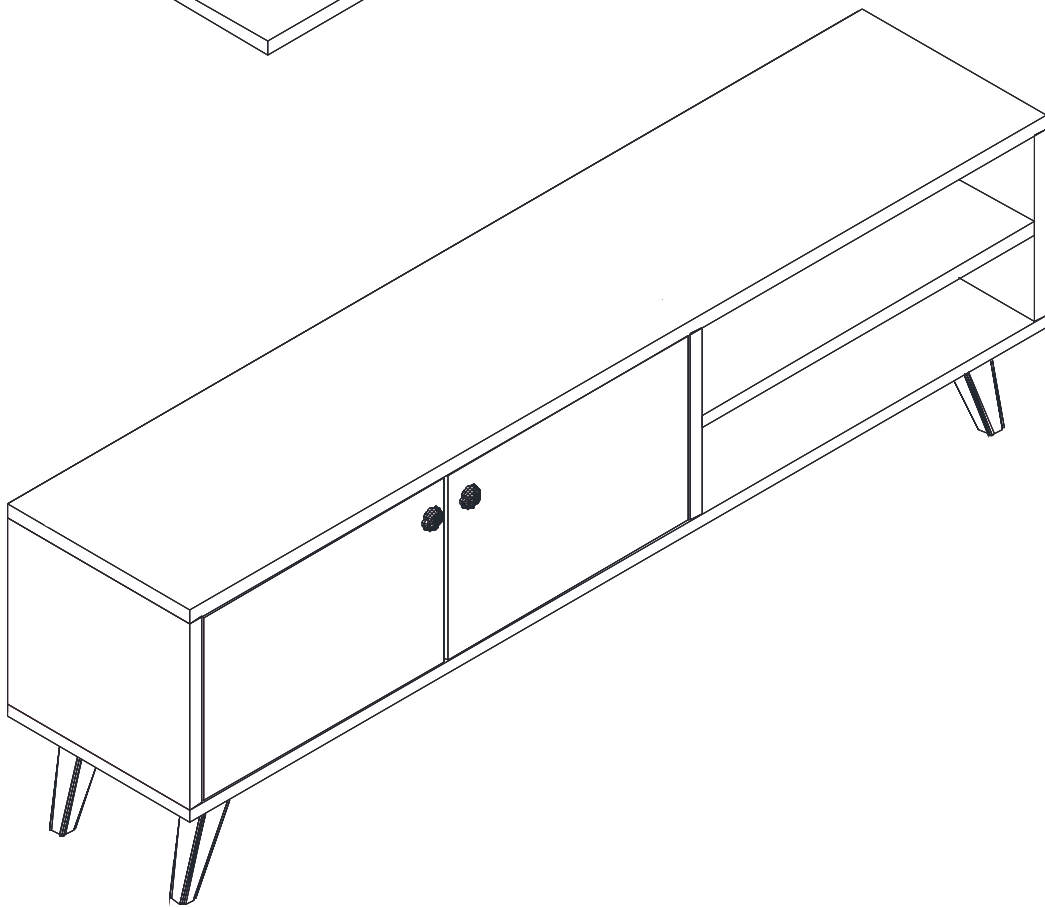
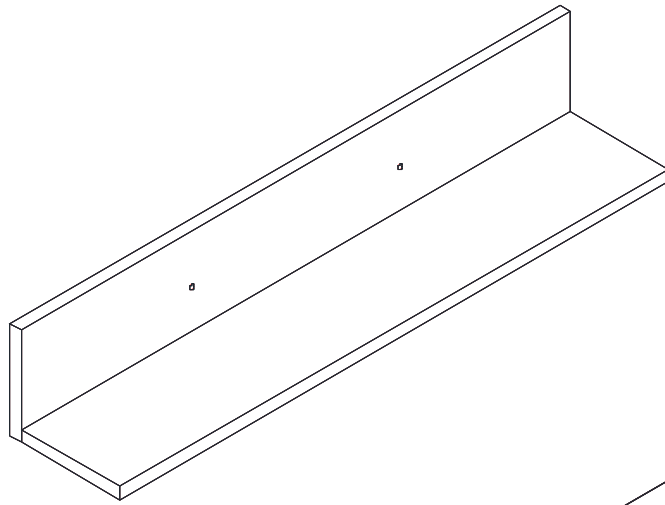


120-000386

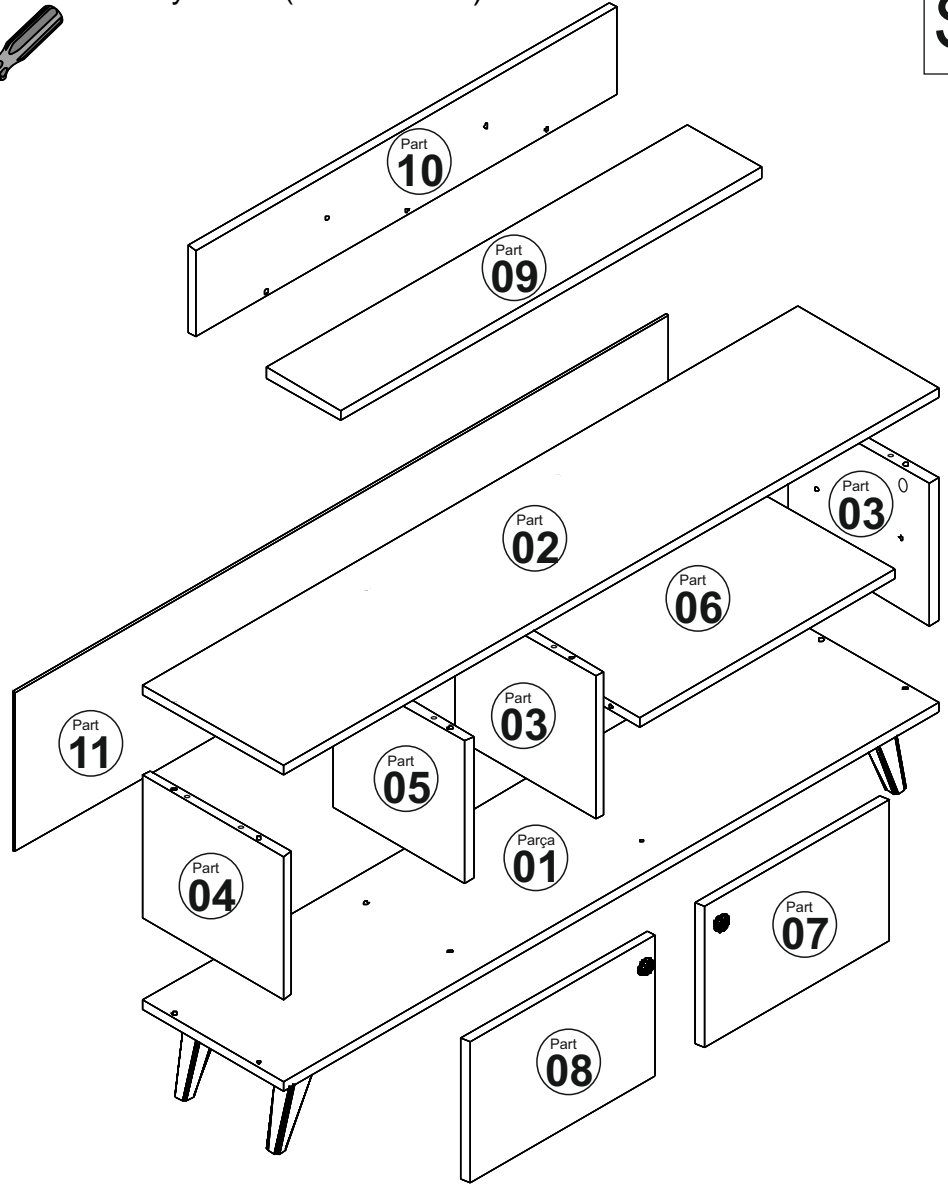
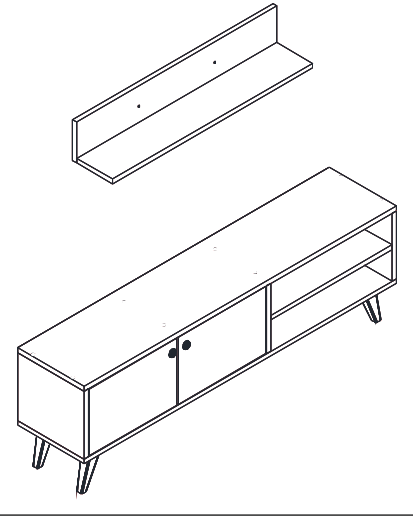
TV UNIT




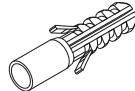

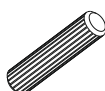

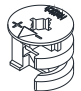

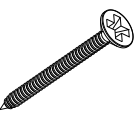
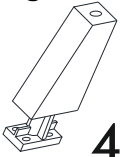

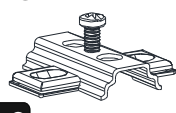
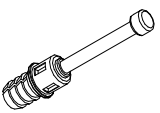
ASSEMBLY INSTRUCTION

S 1

The Necessary Tools (Not Included)



ACCESSORY LIST

 A09 11x	 A08 2x	 A11 16x	 A03 12x	 A15 2x	 A01 8x
 A28 12x	 A10 2x	 A36 4x	 A12 4x	 A13 4x	 A02 8x

Dear Customer,

The product you bought was subjected to all sorts of test and control before sending out to you. Even in this situation, sometimes happen that some component is damaged during the transportation. In such case please do not send the whole article back to us. Just request/order the damaged part. While requesting the required part, describe it exactly by looking to the service card. Missing parts will be sent to you as soon as possible.

Before starting assembly, please check all the components and accessories according to the lists. After being sure that every part and accessory are okay and right, start assembling. Before starting assembly, please clean all the components with a damp cloth. If you bought more than one product, to prevent confusion be sure that you completed the first product. Then start the other product's assembly.

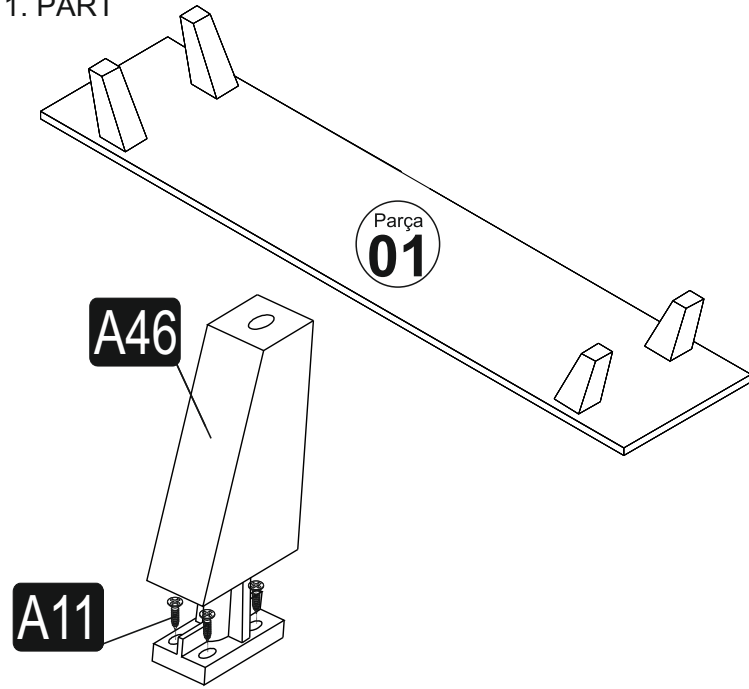
Never drag the products. While carrying, disassemble and lift the product and carry with a minimum of 2 people. For long distances carry the product with the package.

It is very easy to clean the surfaces of your product. It is enough to wipe with a damp and soapy cloth or other household cleaners. Do not directly contact your furniture with excessive heat, cold and humidity because the product can be affected.

Do not use your furniture for other purposes.

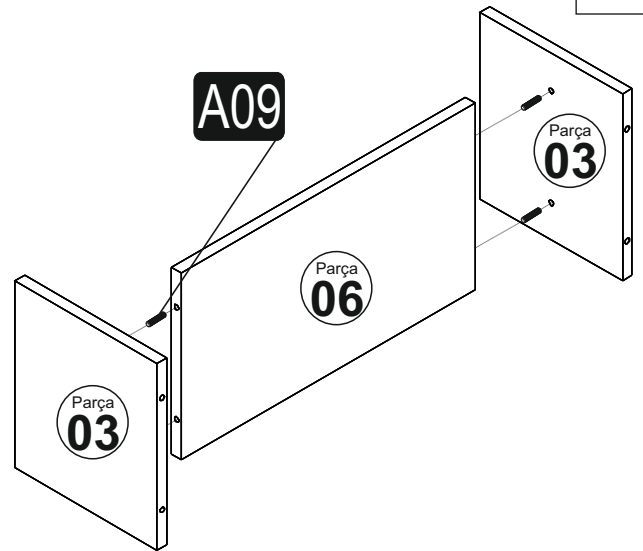
ASSEMBLY MANUAL

1. PART

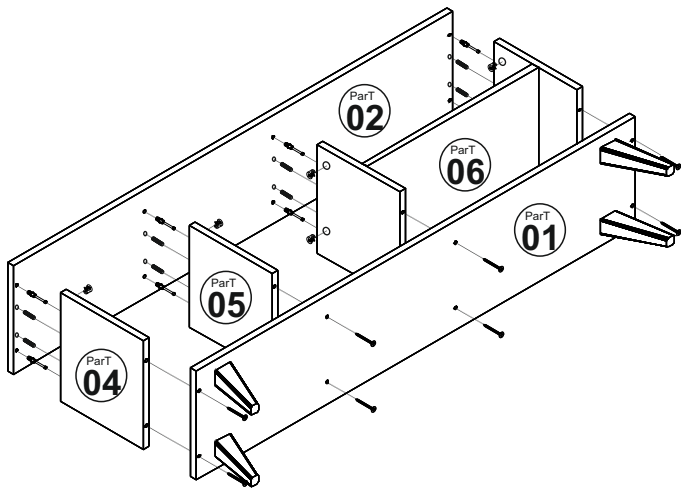


2. PART

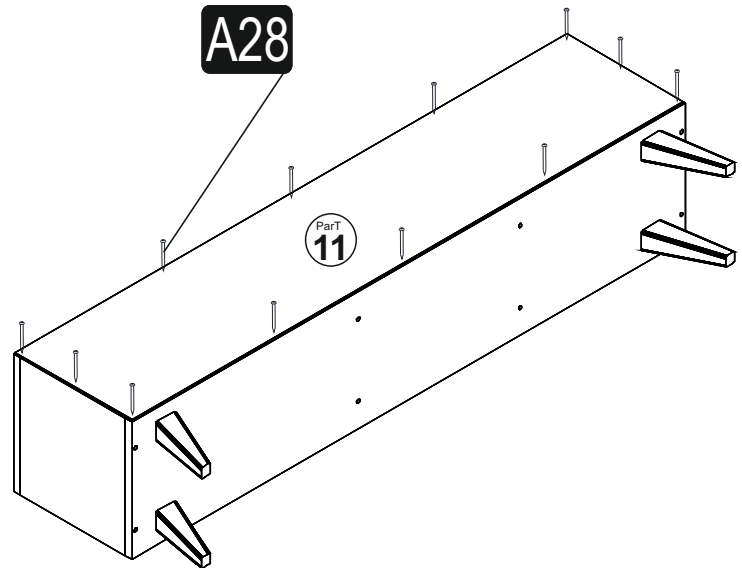
S 2



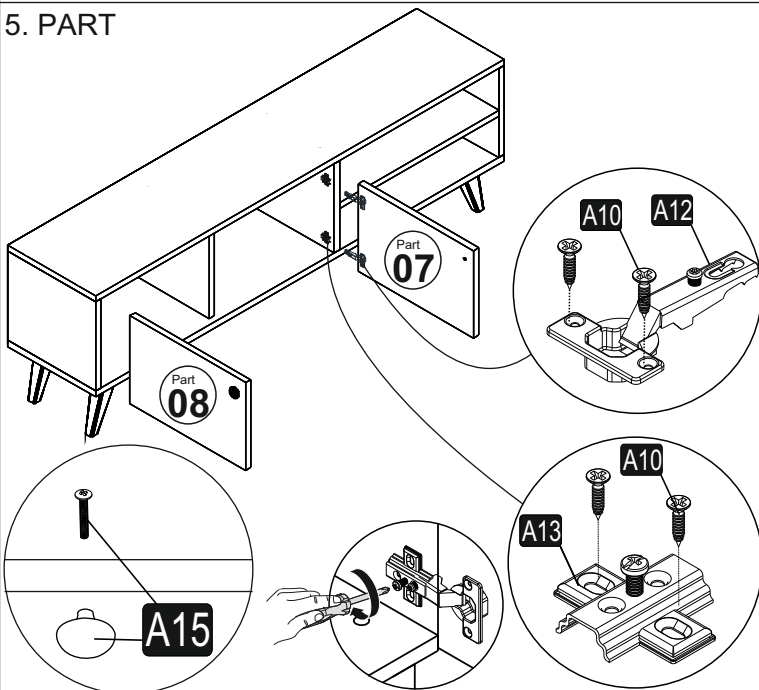
3. PART



4. PART



5. PART



6. PART

