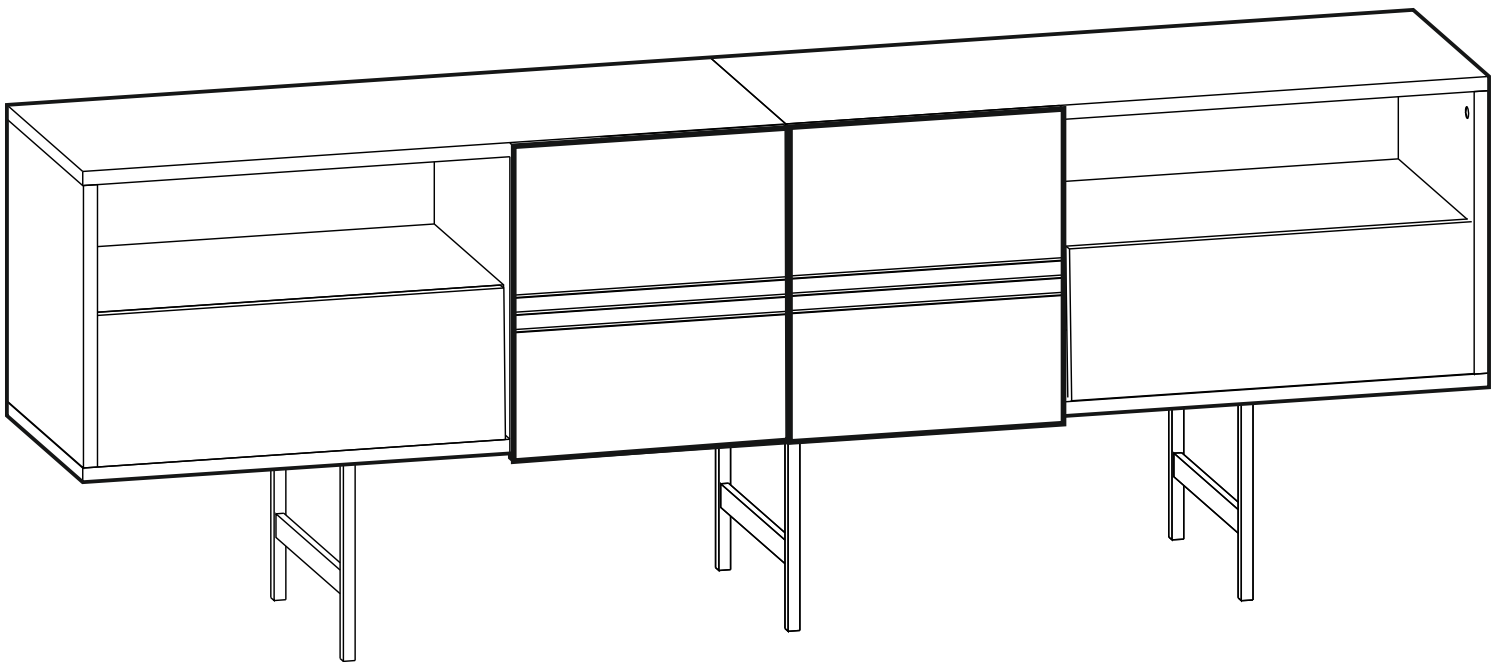


120-000380

Sideboard

Assembly Instruction





Valued Customer,

We design and carefully manufacture our products for our customers, We wish that our customers to have fun while they are doing their new furniture

The product you just purchased was subjected to all sorts of tests and controls before sending out to you.

Hope you enjoy your new furniture.



Before starting, please check all components and accessories according to the provided list. If you purchased more than one product, to prevent confusion, be sure that you completed the first product, then start the next one. Please make sure that you select correct numbered part and use specific connector to assemble. We do not recommend any modification or rotation in assembly. Please follow the manual carefully.



Furniture parts are going to several manufacturing procedures. During this process, parts can have little dust or marks. Please clean the parts with damp cloth before assembly to get the best result. Usual cleaning would be suffice.



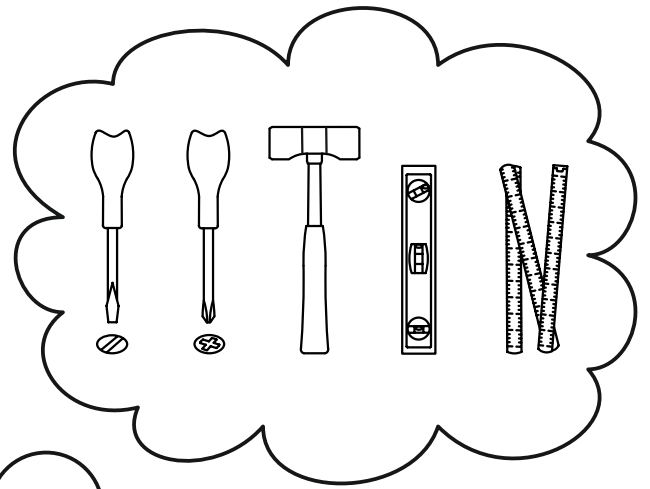
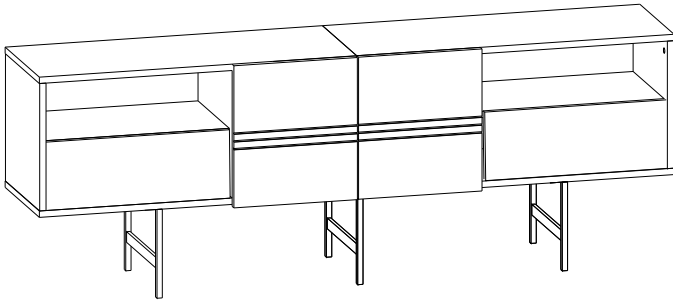
Although all products are carefully manufactured and packed, sometimes we experience damage during transportation. In such cases, please check the damaged part, note the part number written on the part and do not hesitate to contact us



Do not use your furniture for out of purposes. If you would like to use it out of purpose or would like to do some modification or rotation, please contact us for more details.

Please do not expose your furniture with excessive heat, cold and humidity because product can be affected negatively.

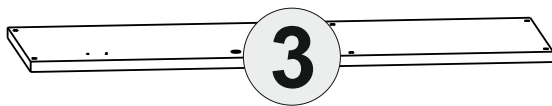
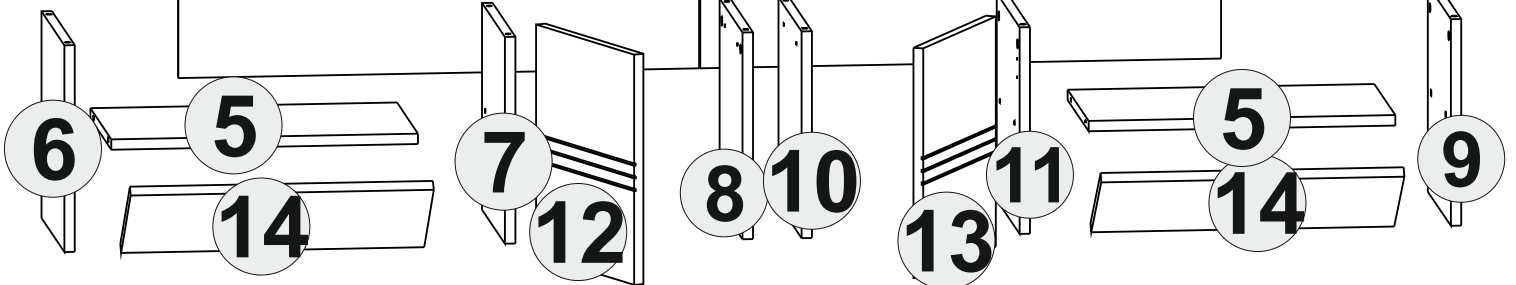
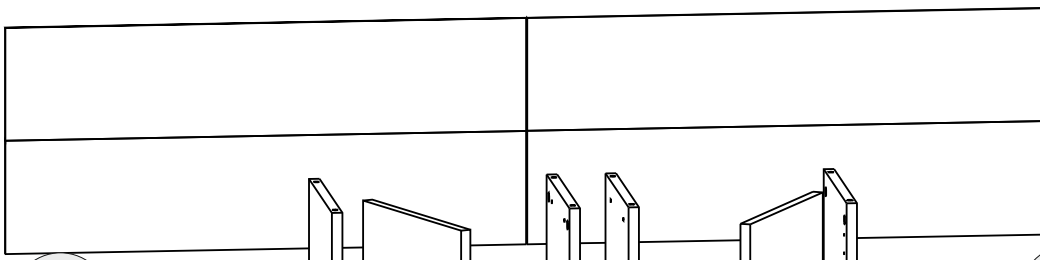
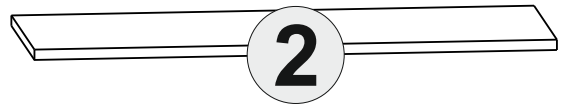
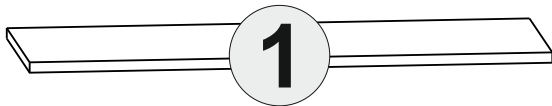
If you need your product to mount on the wall, Please use suitable rawlplug for your wall type. We send you rawlplugs suitable for concrete and brick walls.

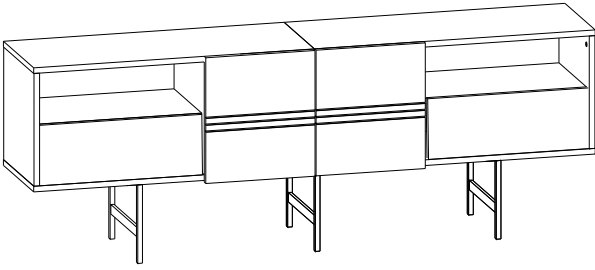


Part#1	1x
Part#2	1x
Part#3	1x
Part#4	1x
Part#5	2x
Part#6	1x
Part#7	1x
Part#8	1x
Part#9	1x
Part#10	1x
Part#11	1x
Part#12	1x
Part#13	1x
Part#14	2x

Disassembled Parts

TOTAL 16





Tools & Installation Components



A19 3,5x18 screw

50x



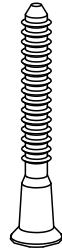
A23 Q10 minifix screw

16x



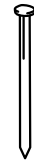
A02 15x14 minifix head

16x



A17 6x50 screw

20x



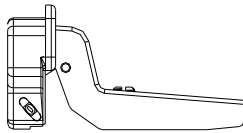
A28 nail

30x



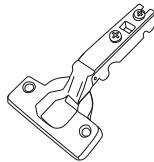
A06 mounting screw

4x



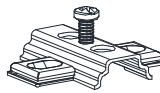
C02 inset hinge

4x



C01 hinge base

4x



C04 hinge mounting plate

8x



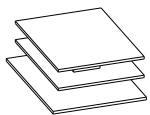
Q12 sticker

4x



Q15 sticker

10x

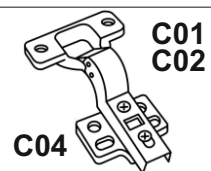


6x

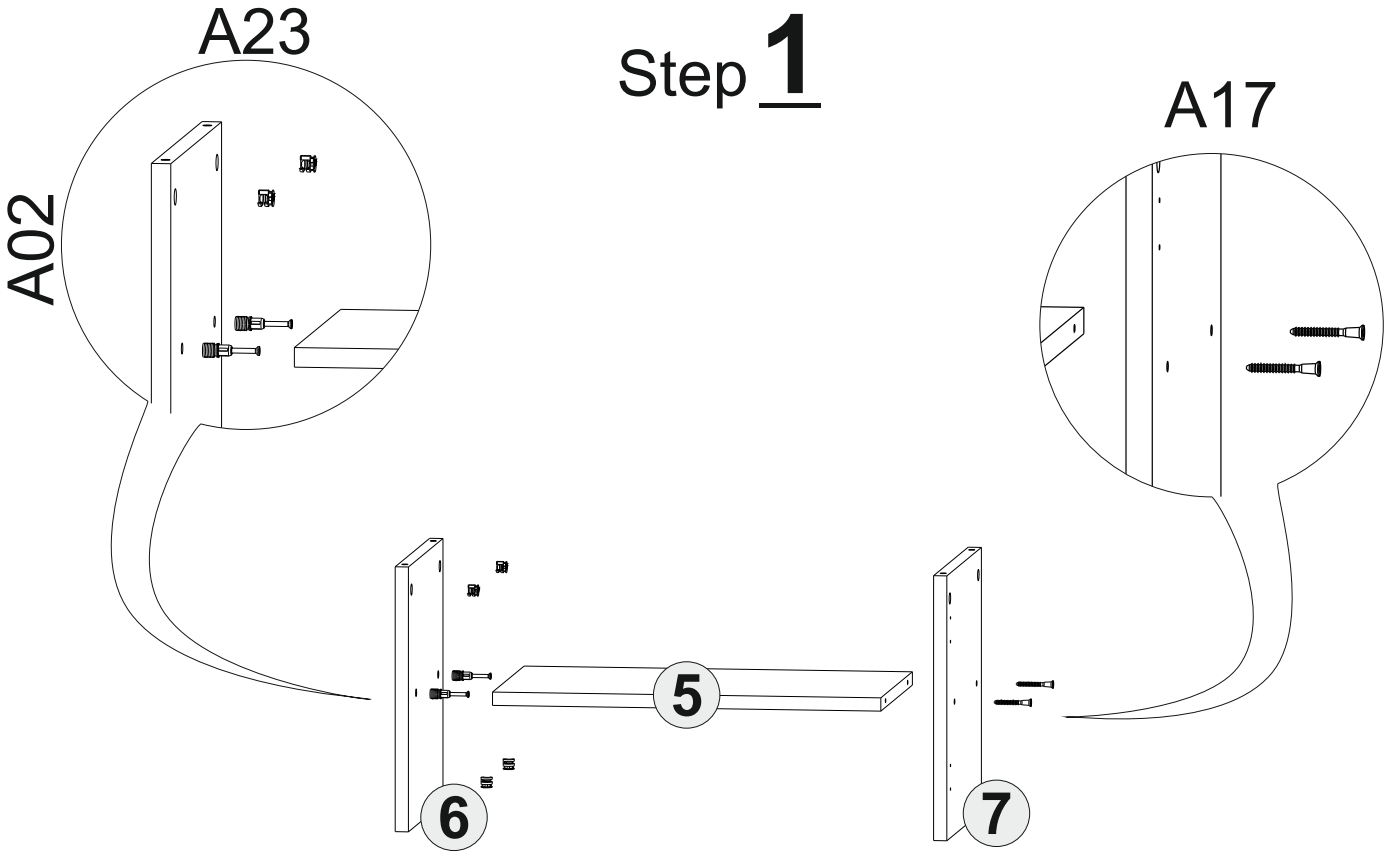
15X15 plastic



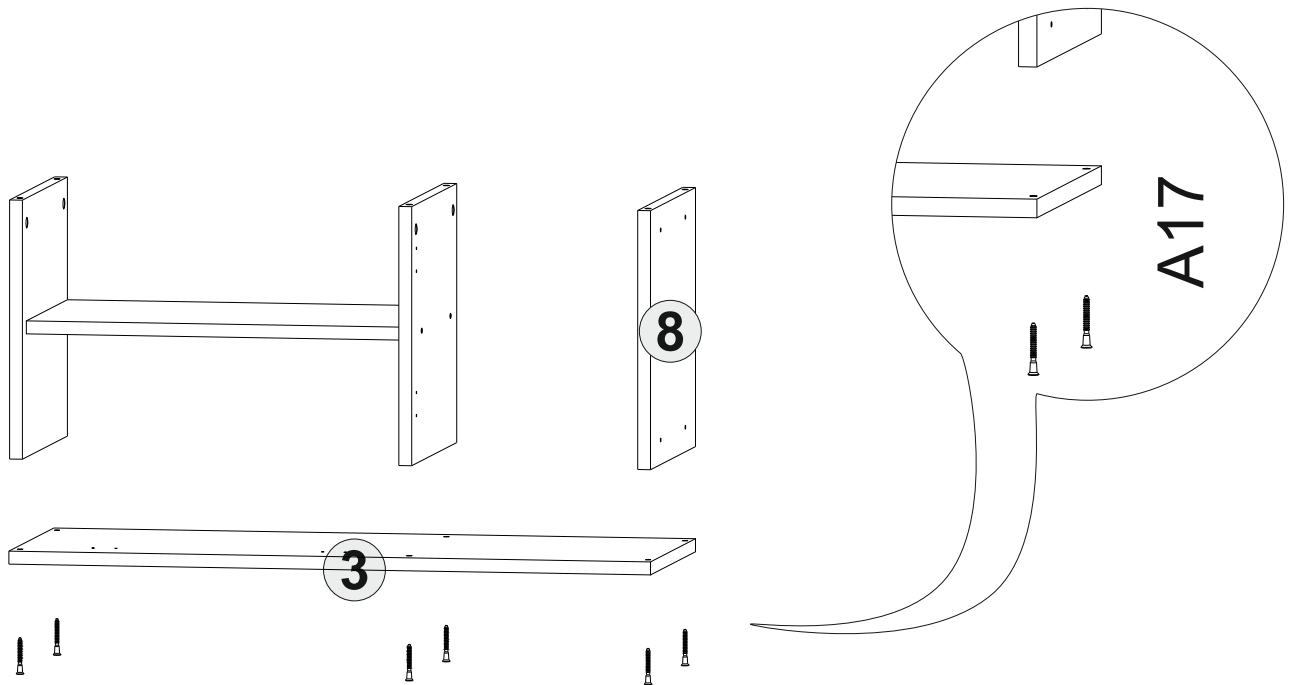
Please be aware that C01, C02 and C04(pivot) parts may come as attached together.



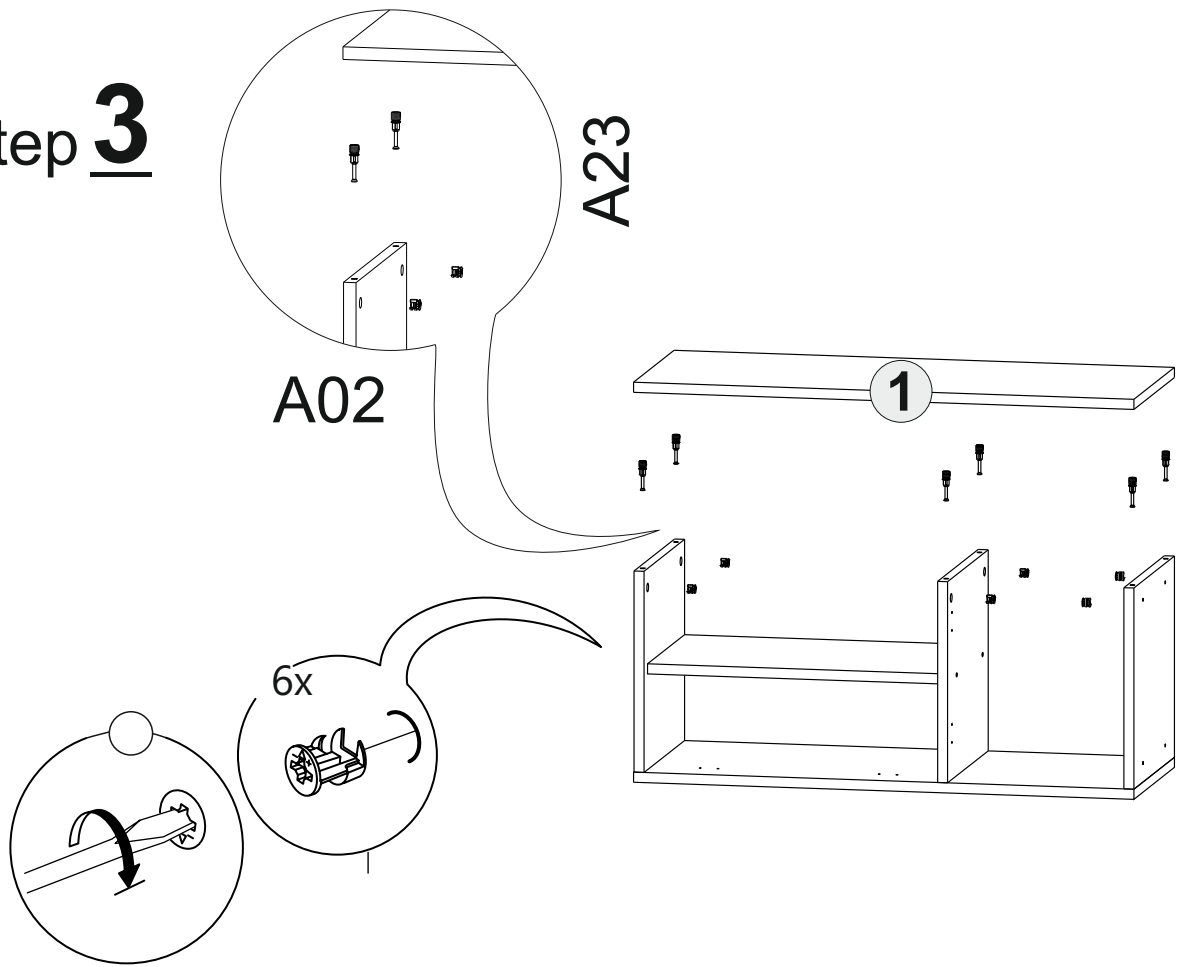
Step 1



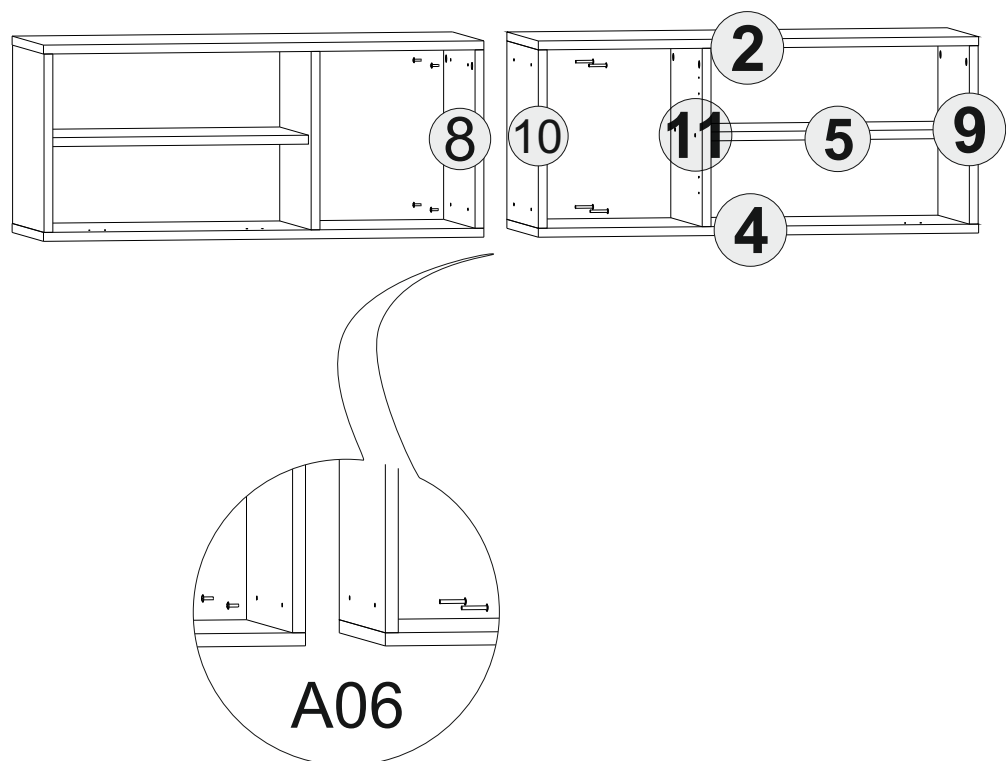
Step 2



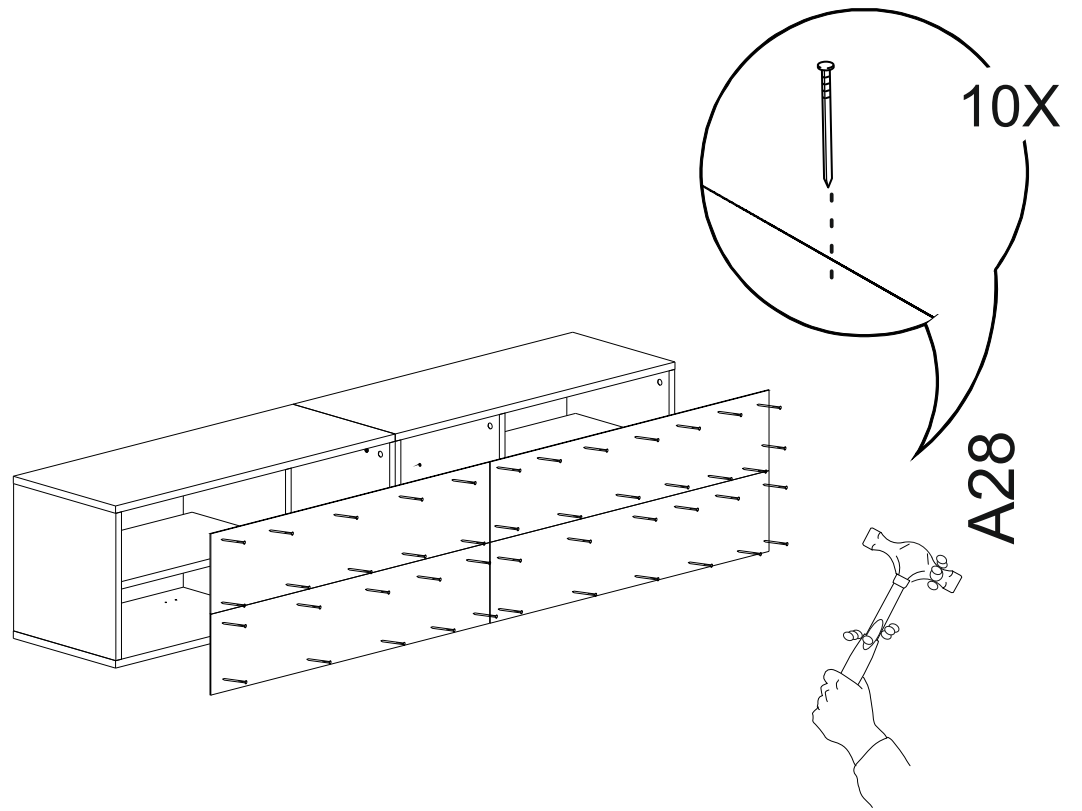
Step 3



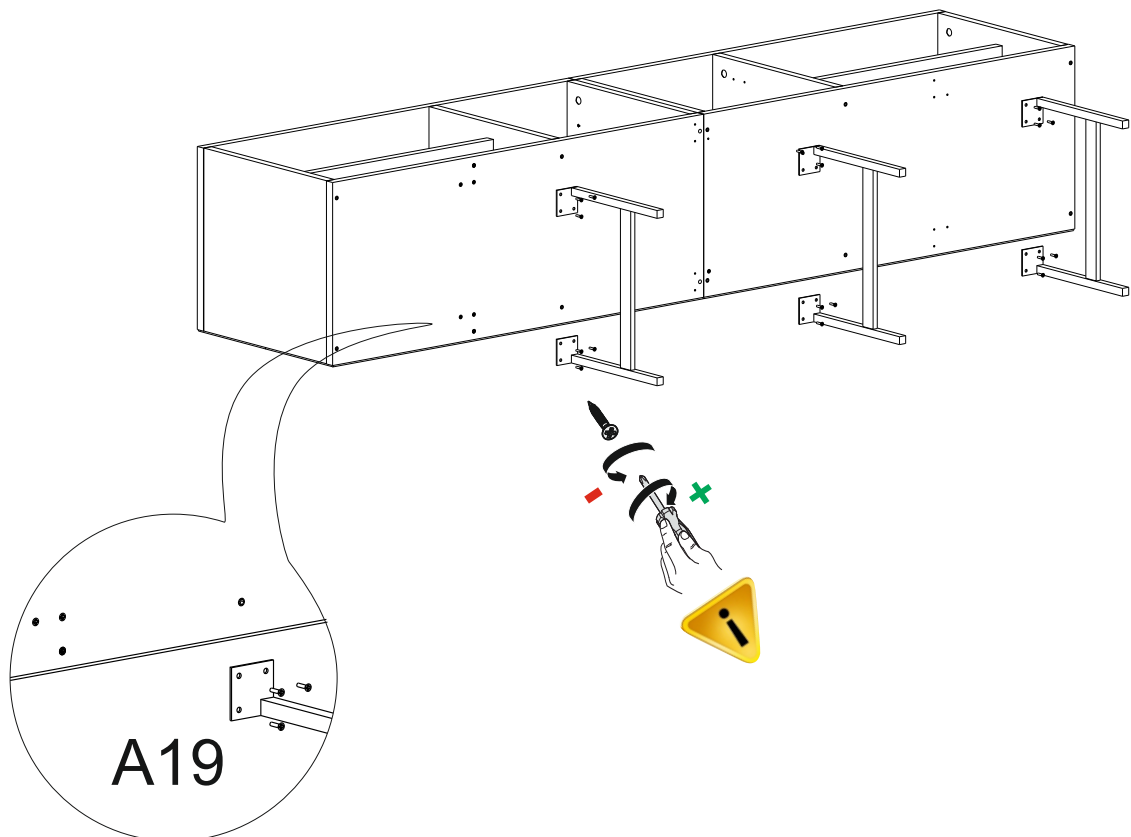
Step 4



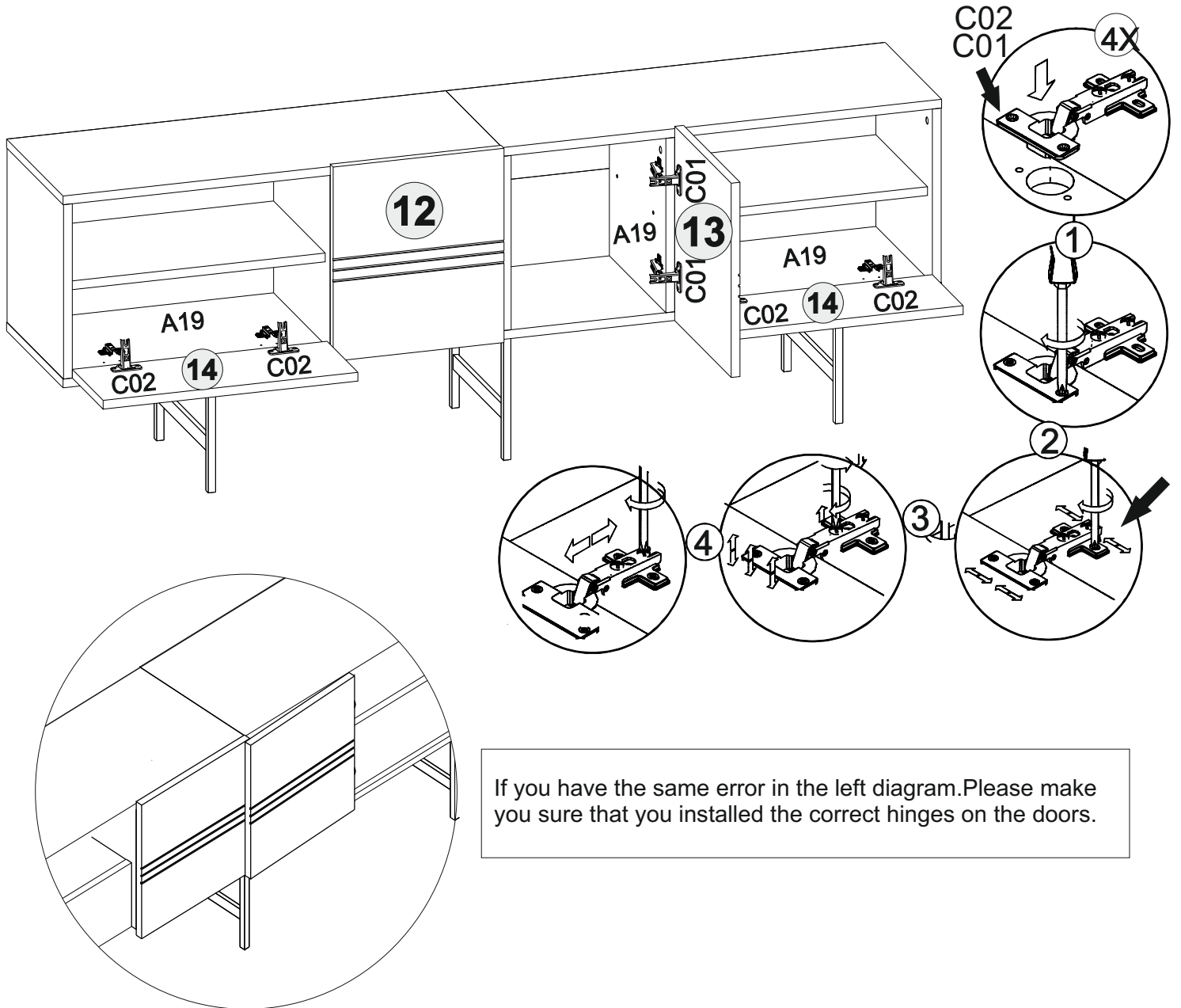
Step 5



Step 6



C02 for parts #14 , C01 for parts #12 , #13



If you have the same error in the left diagram. Please make you sure that you installed the correct hinges on the doors.