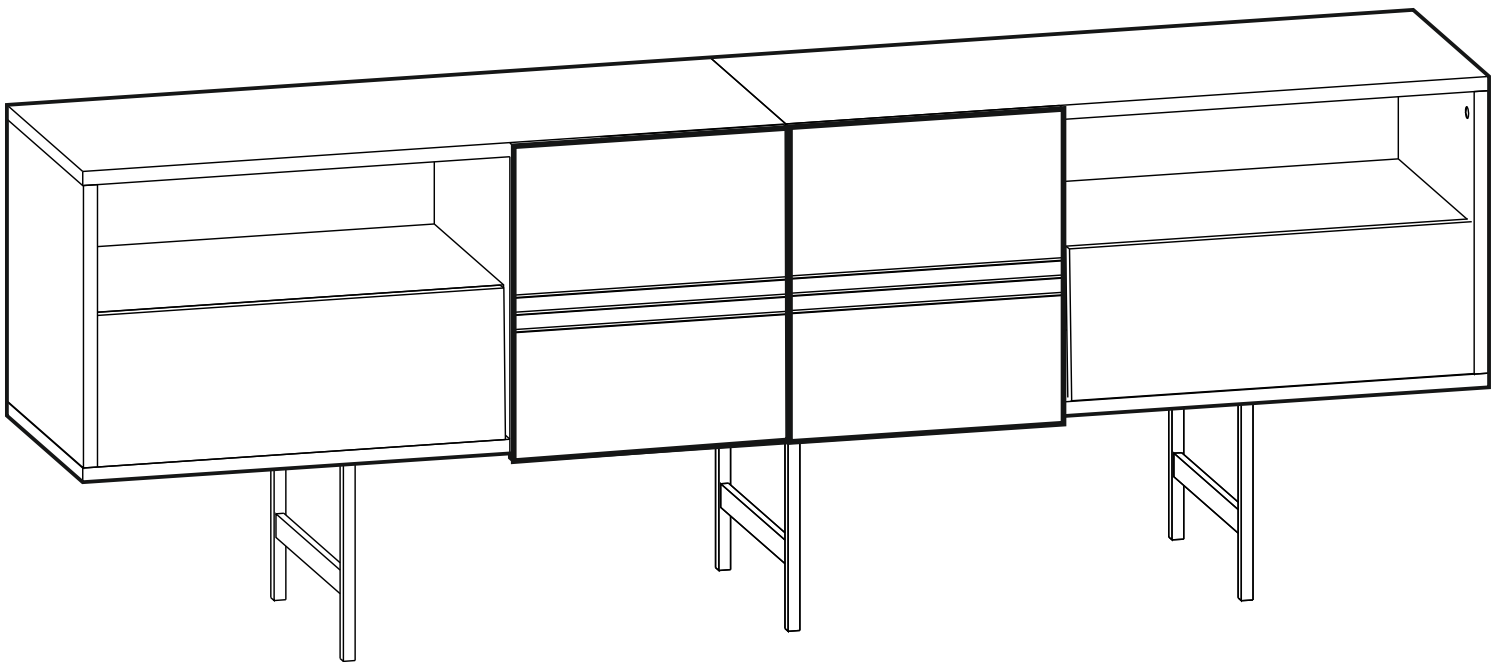


120-000378

Sideboard

Assembly Instruction





Valued Customer,

We design and carefully manufacture our products for our customers, We wish that our customers to have fun while they are doing their new furniture

The product you just purchased was subjected to all sorts of tests and controls before sending out to you.

Hope you enjoy your new furniture.



Before starting, please check all components and accessories according to the provided list. If you purchased more than one product, to prevent confusion, be sure that you completed the first product, then start the next one. Please make sure that you select correct numbered part and use specific connector to assemble. We do not recommend any modification or rotation in assembly. Please follow the manual carefully.



Furniture parts are going to several manufacturing procedures. During this process, parts can have little dust or marks. Please clean the parts with damp cloth before assembly to get the best result. Usual cleaning would be suffice.



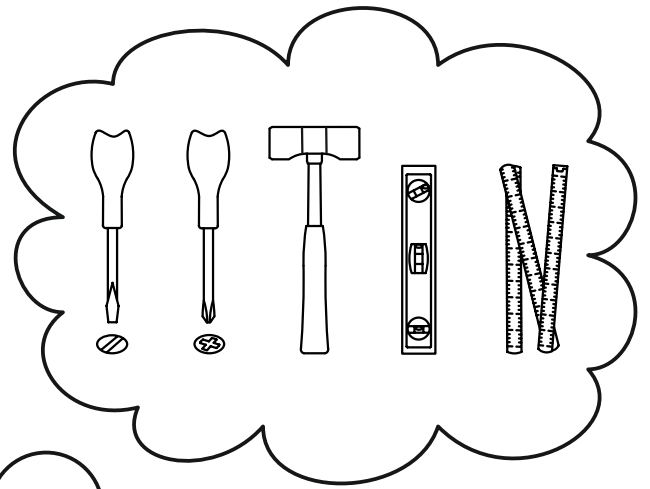
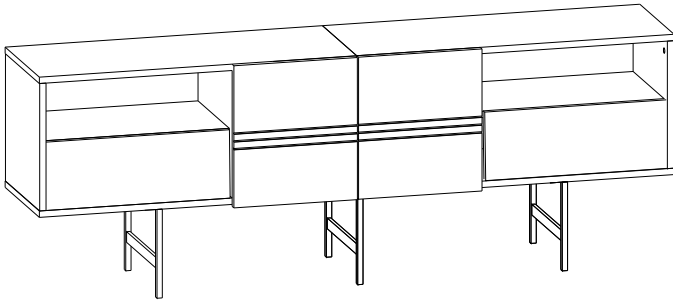
Although all products are carefully manufactured and packed, sometimes we experience damage during transportation. In such cases, please check the damaged part, note the part number written on the part and do not hesitate to contact us



Do not use your furniture for out of purposes. If you would like to use it out of purpose or would like to do some modification or rotation, please contact us for more details.

Please do not expose your furniture with excessive heat, cold and humidity because product can be affected negatively.

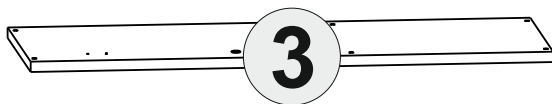
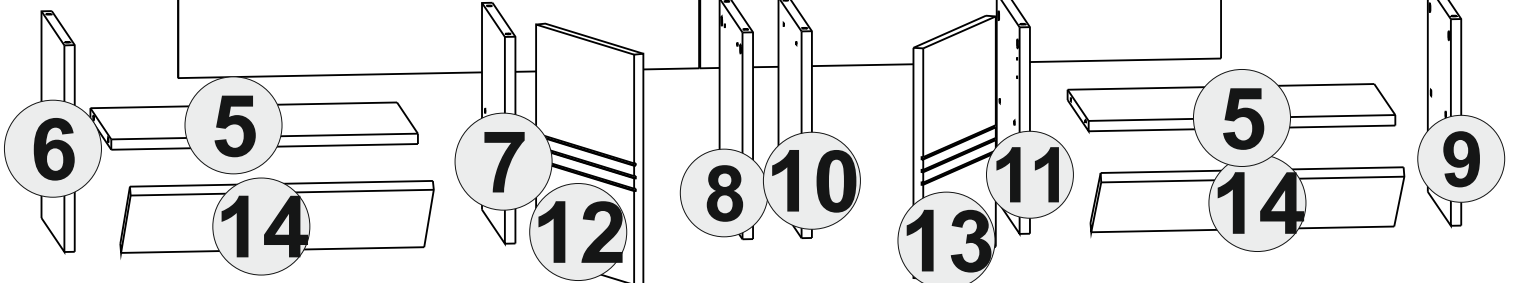
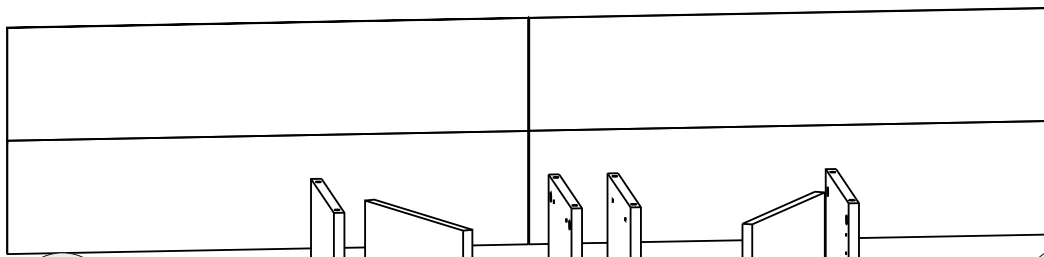
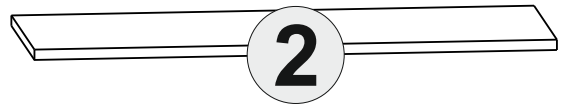
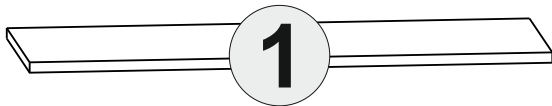
If you need your product to mount on the wall, Please use suitable rawlplug for your wall type. We send you rawlplugs suitable for concrete and brick walls.

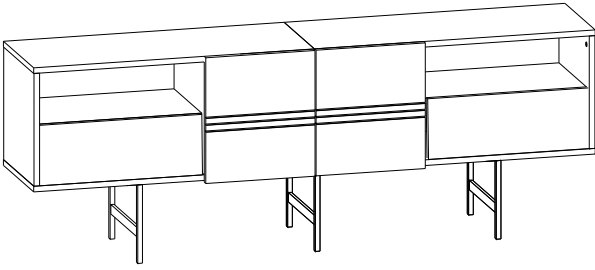


Part#1	1x
Part#2	1x
Part#3	1x
Part#4	1x
Part#5	2x
Part#6	1x
Part#7	1x
Part#8	1x
Part#9	1x
Part#10	1x
Part#11	1x
Part#12	1x
Part#13	1x
Part#14	2x




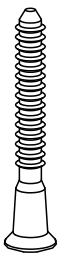
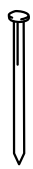

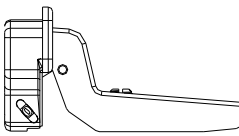
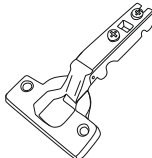
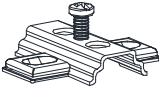


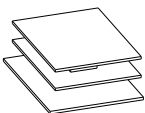
Disassembled Parts

TOTAL 16



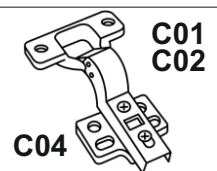


Tools & Installation Components

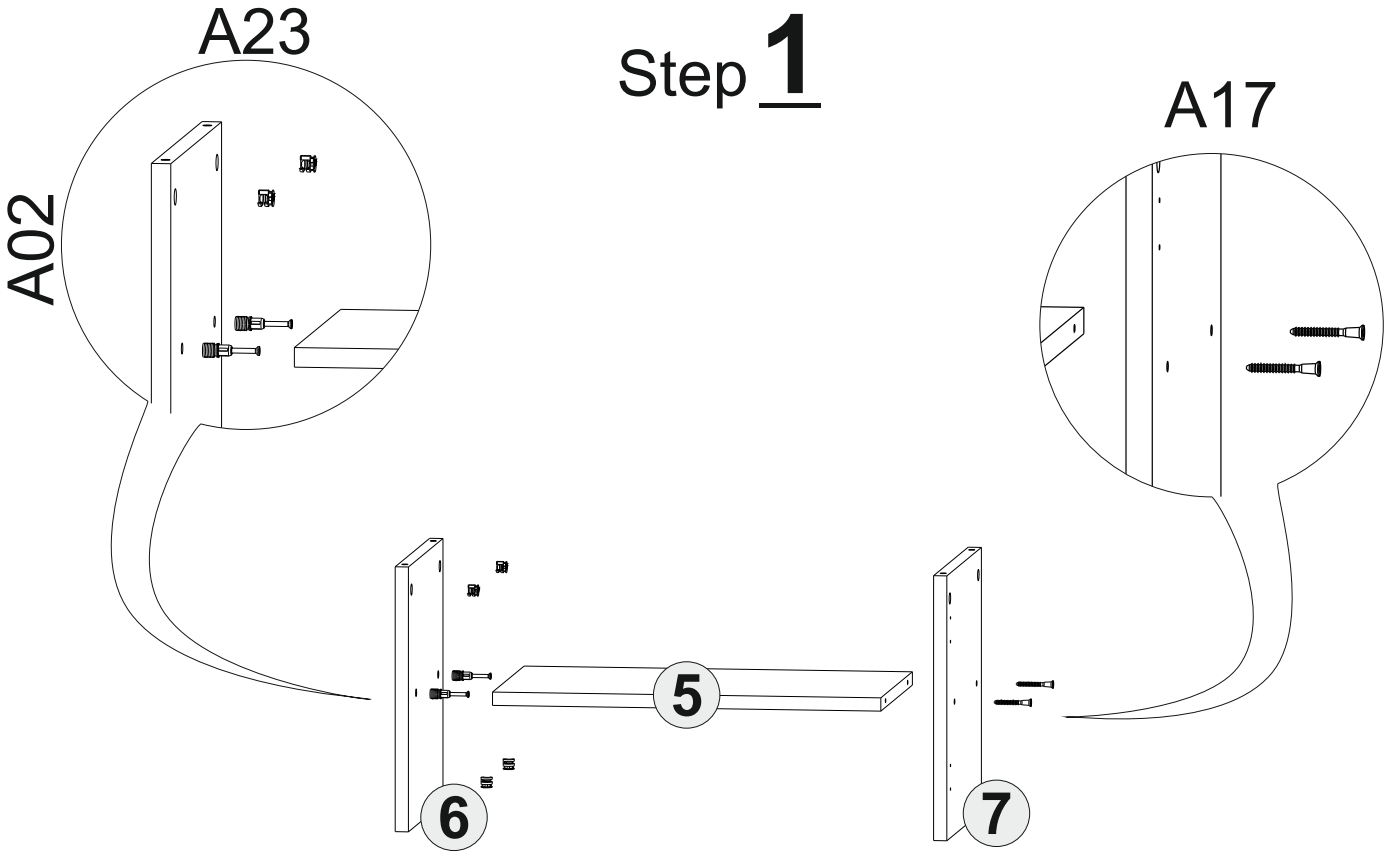
	A19 3,5x18 screw		A23 Q10 minifix screw		A02 15x14 minifix head		A17 6x50 screw		A28 nail		A06 mounting screw
50x		16x		16x		20x		30x		4x	
	C02 inset hinge		C01 hinge base		C04 hinge mounting plate		Q12 sticker		Q15 sticker		
4x		4x		8x		4x		10x			
	15X15										
6x											



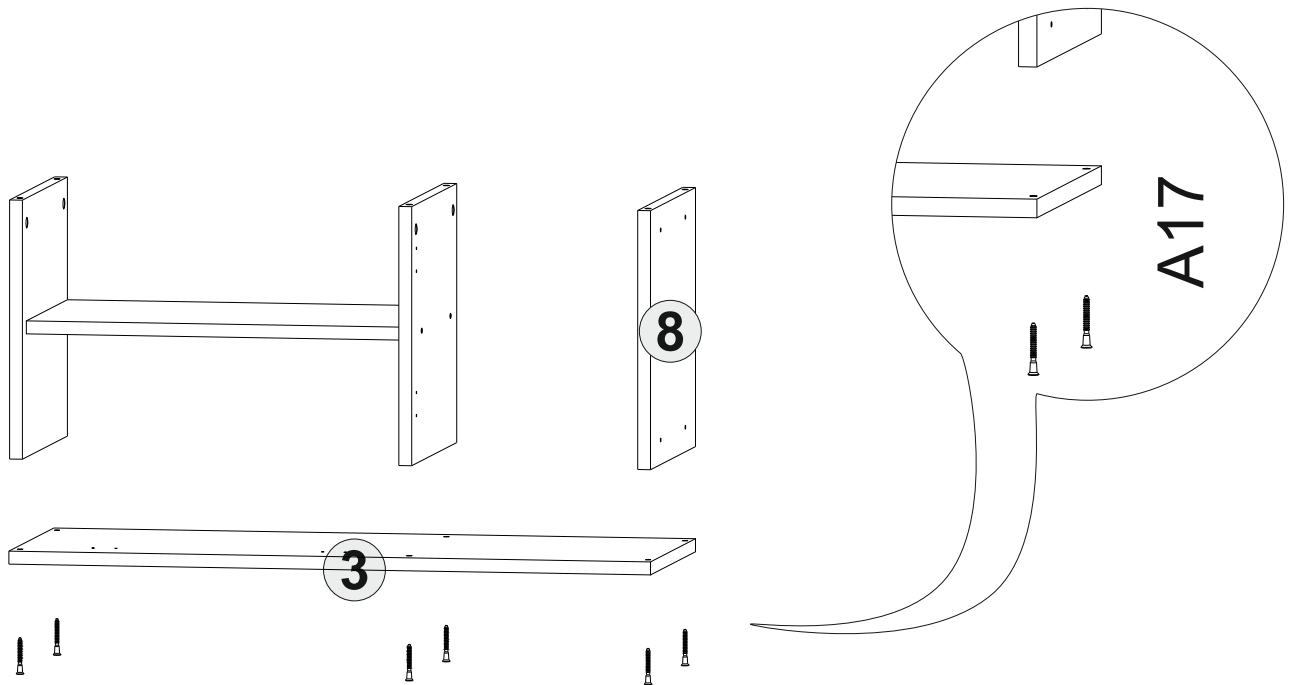
Please be aware that C01, C02 and C04(pivot) parts may come as attached together.



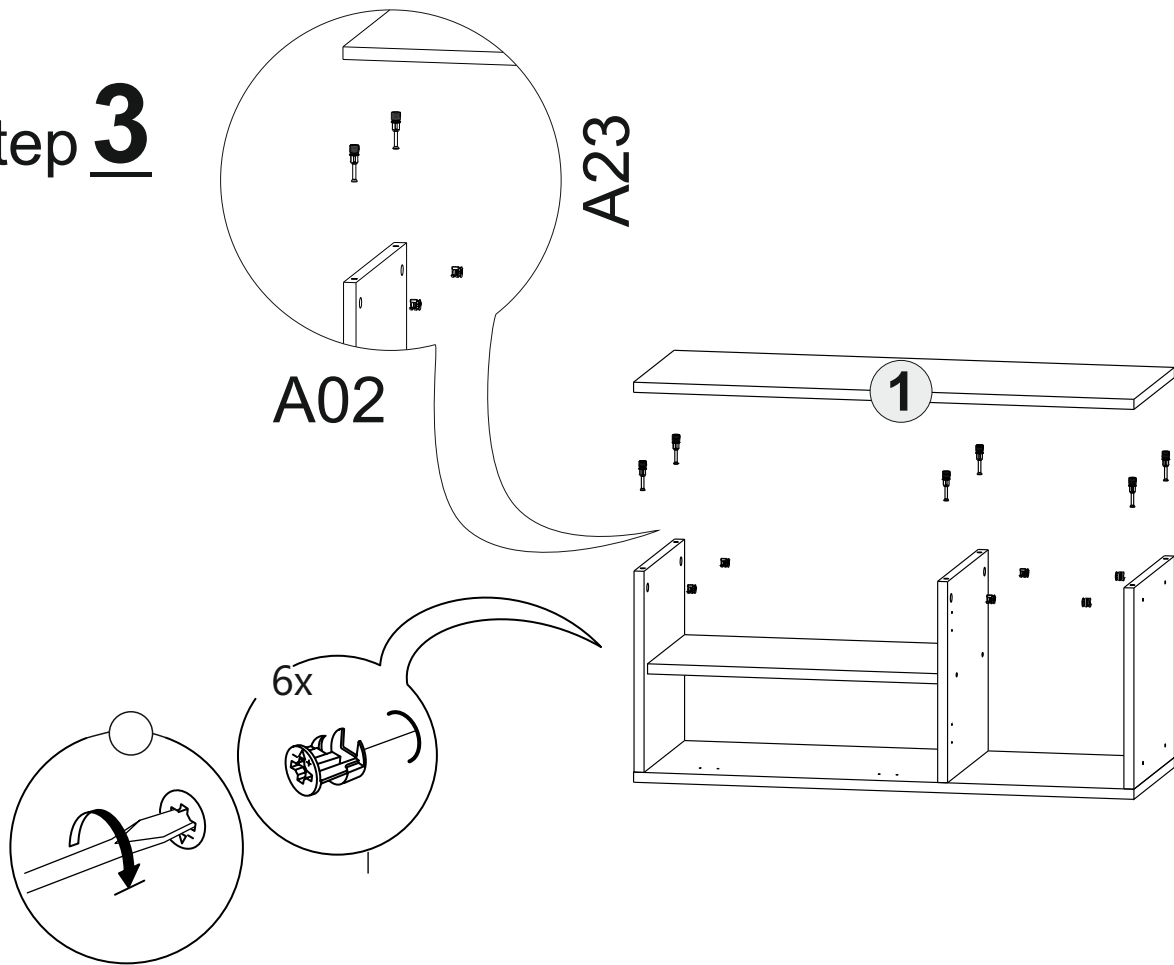
Step 1



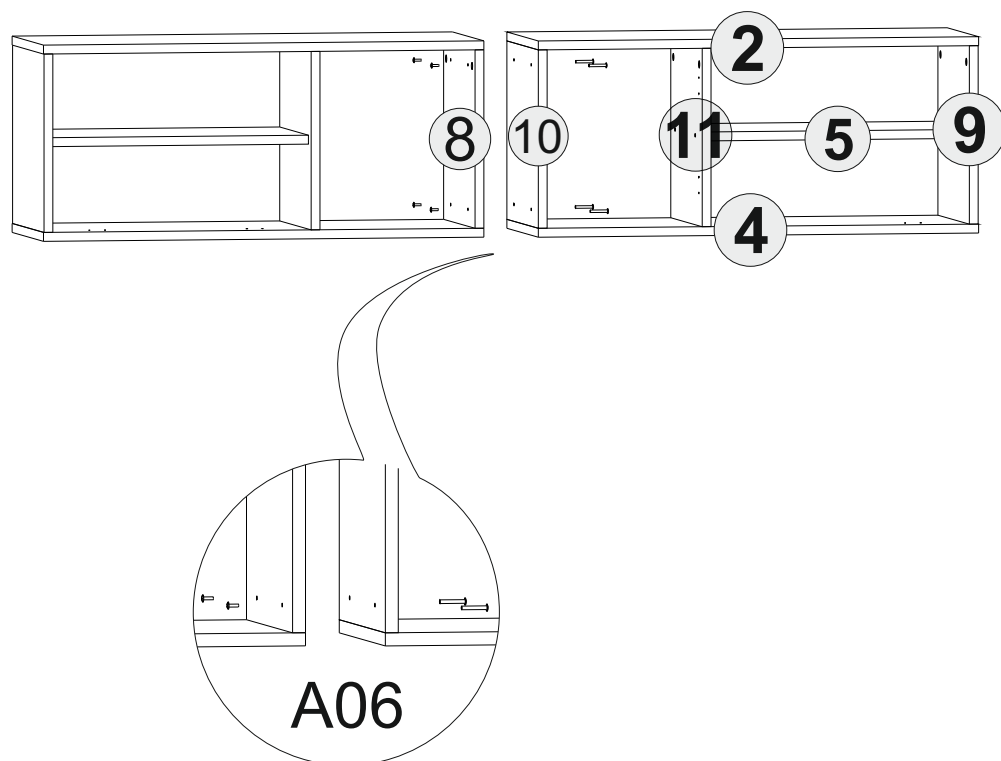
Step 2



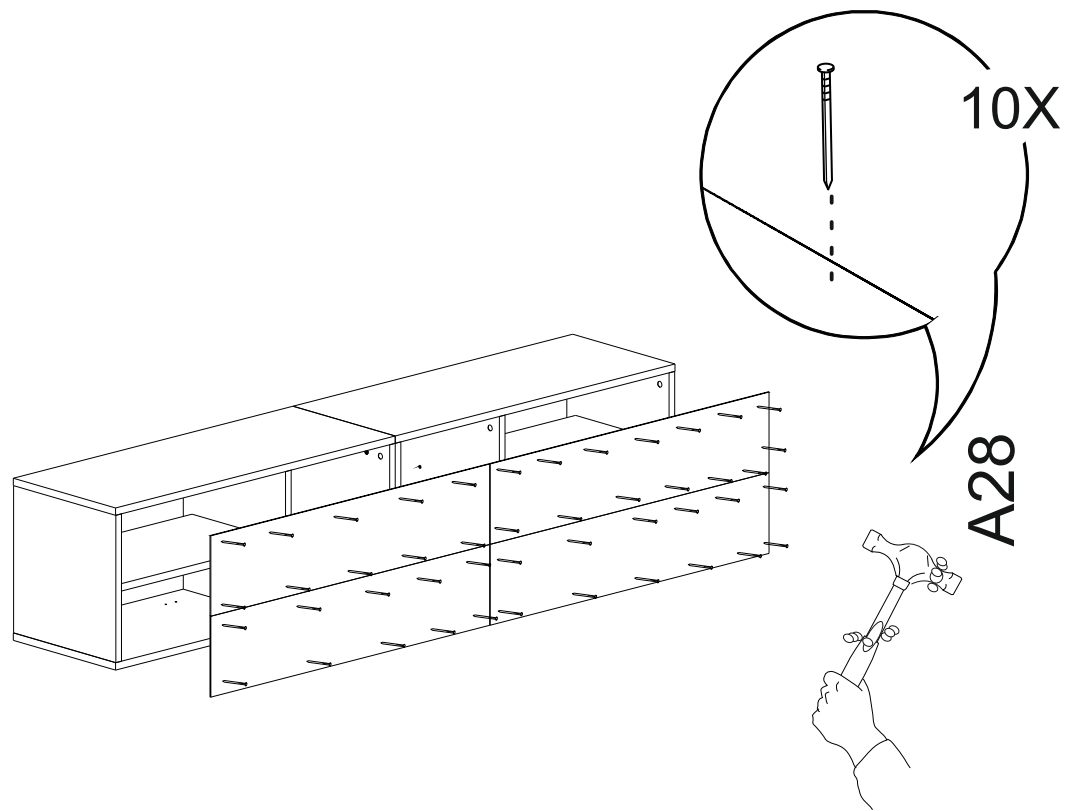
Step 3



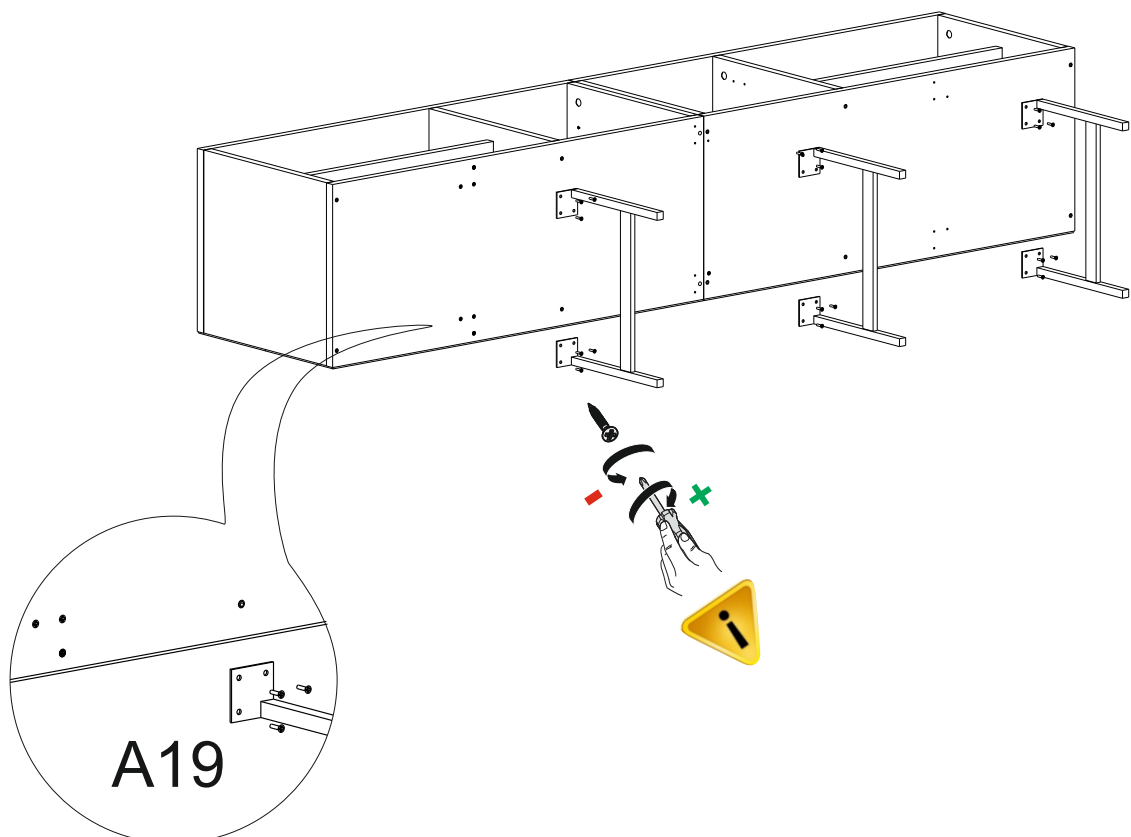
Step 4



Step 5



Step 6



C02 for parts #14 , C01 for parts #12 , #13

