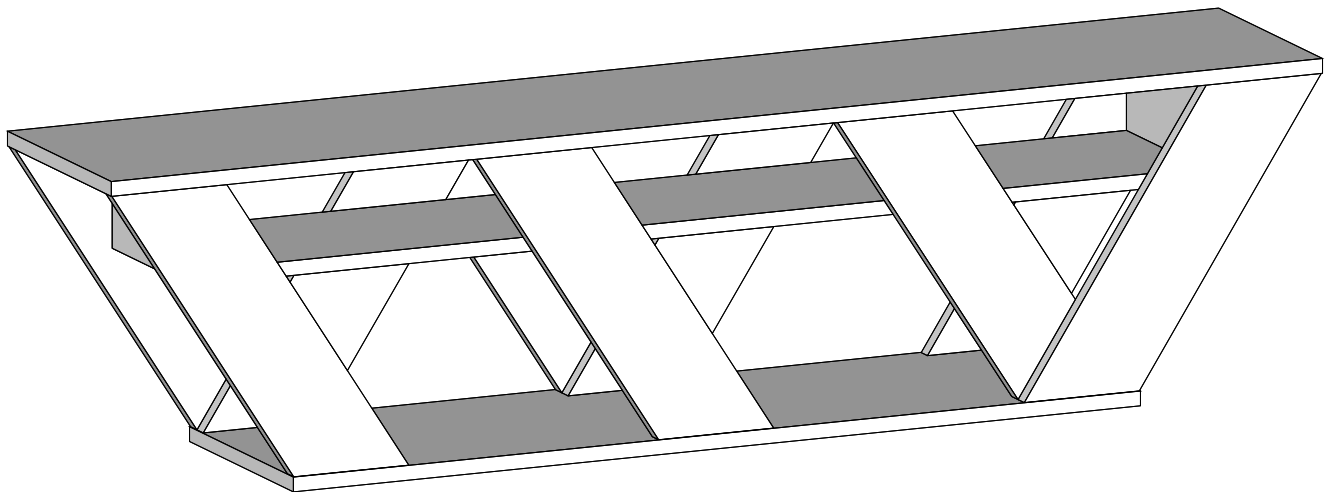


RALLA TV

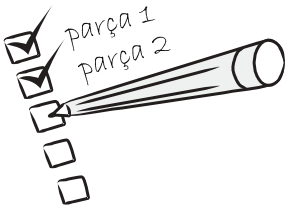
Assembly manual





Dear Customer,

We design and produce our product for people to love and have fun with them as we do. The product you bought was subjected to all sorts of tests and control before sending out to you.



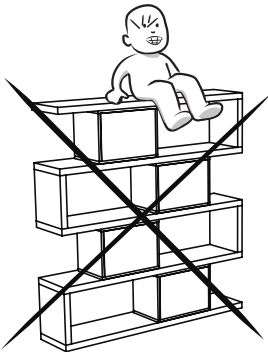
Before start assembling, please check the whole components and accessories according to the lists. If you bought more than one product, to prevent confusion be sure that you completed the first product. Then start the other product's assembling.



Before start assembling, please clean all the components with a damp cloth. Also for usual cleaning, this will be enough.

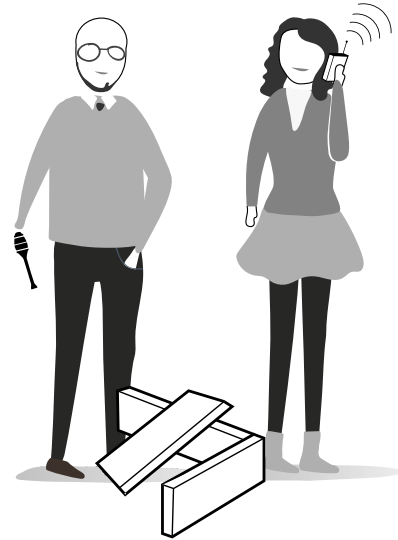
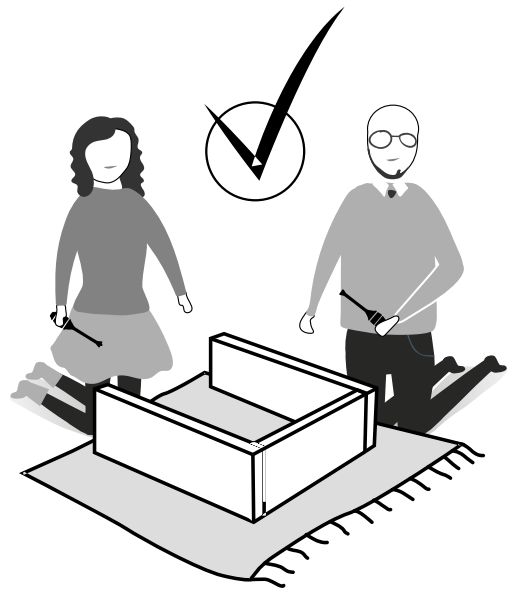
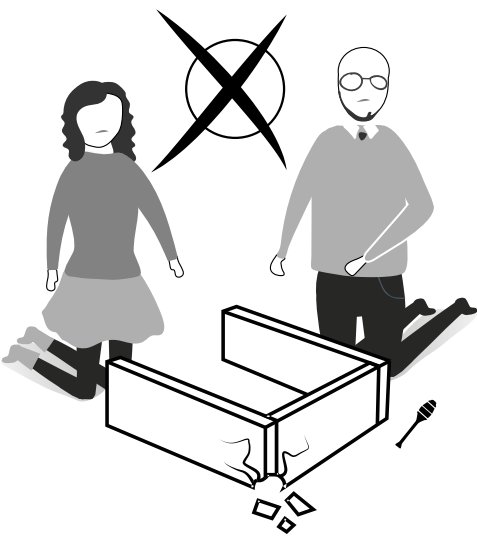
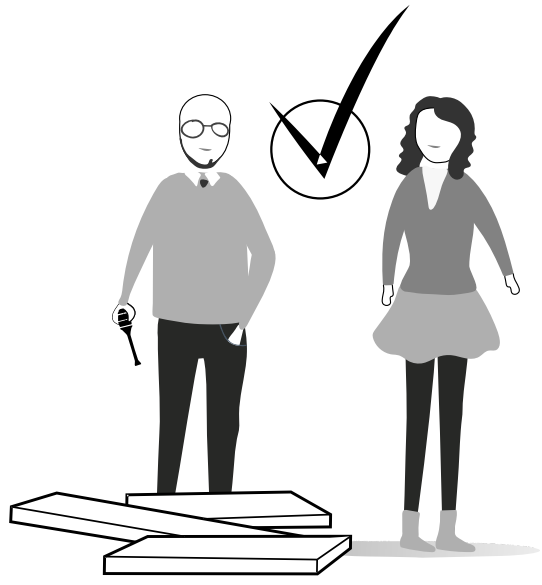
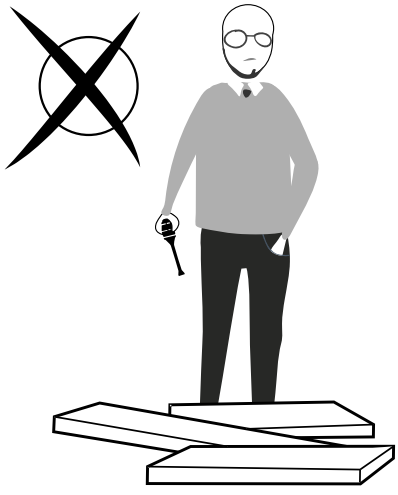


Although all the products are produced and packed carefully, sometimes happen that some component is damaged during the transportation. In such a case please check the missing or damaged part and do not hesitate to contact us.



Do not use furniture for other purposes. If you would like to use it, please contact us for further questions.

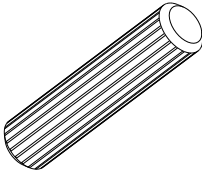
Do not directly contact your furniture with excessive heat, cold and humidity because the product can be affected.



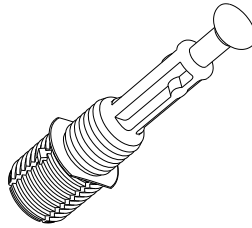
ATTENTION !!

Minifix is the main connection material used in Decortie products. Before starting assembly, please check the drawings below.

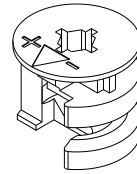
A04



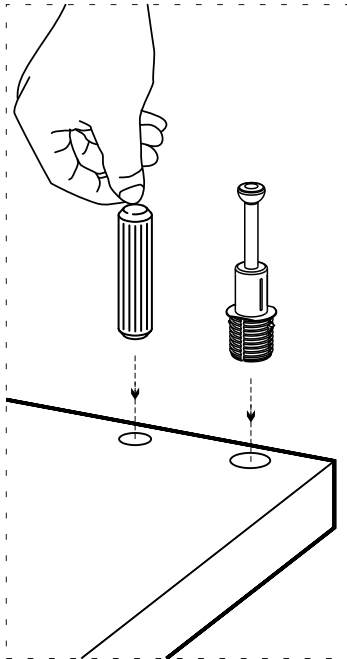
A23



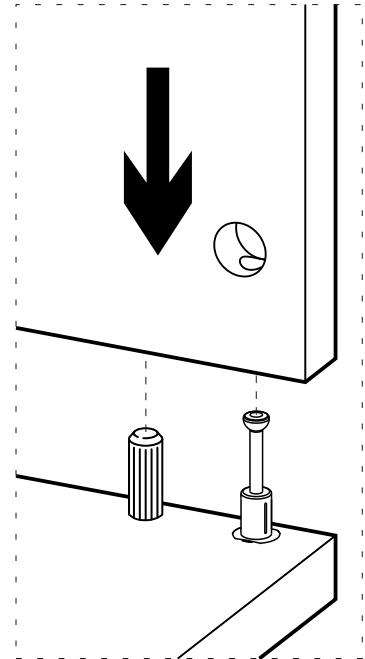
A22



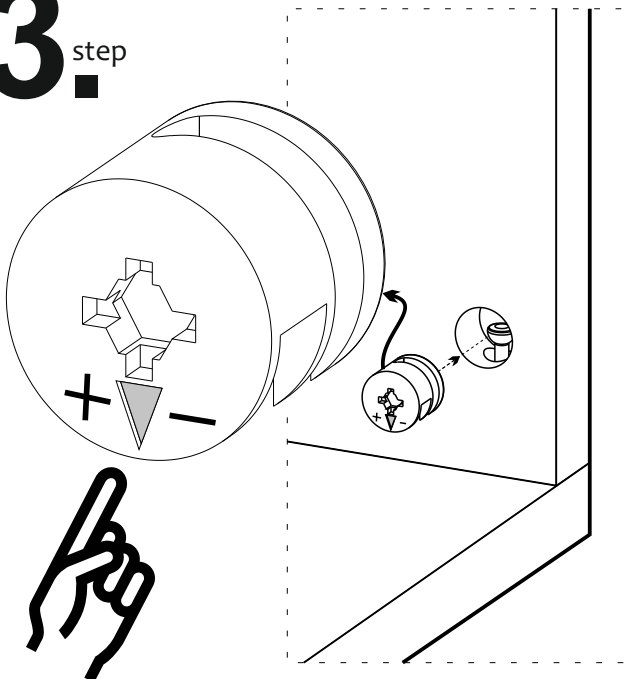
1. step



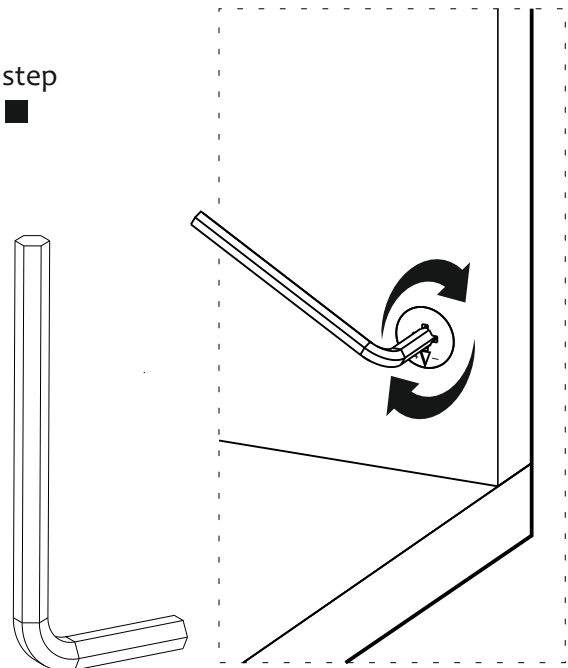
2. step



3. step



4. step

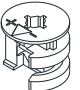

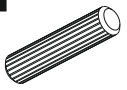


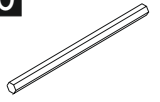
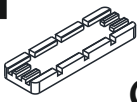



Follow the installation steps in the order as shown.

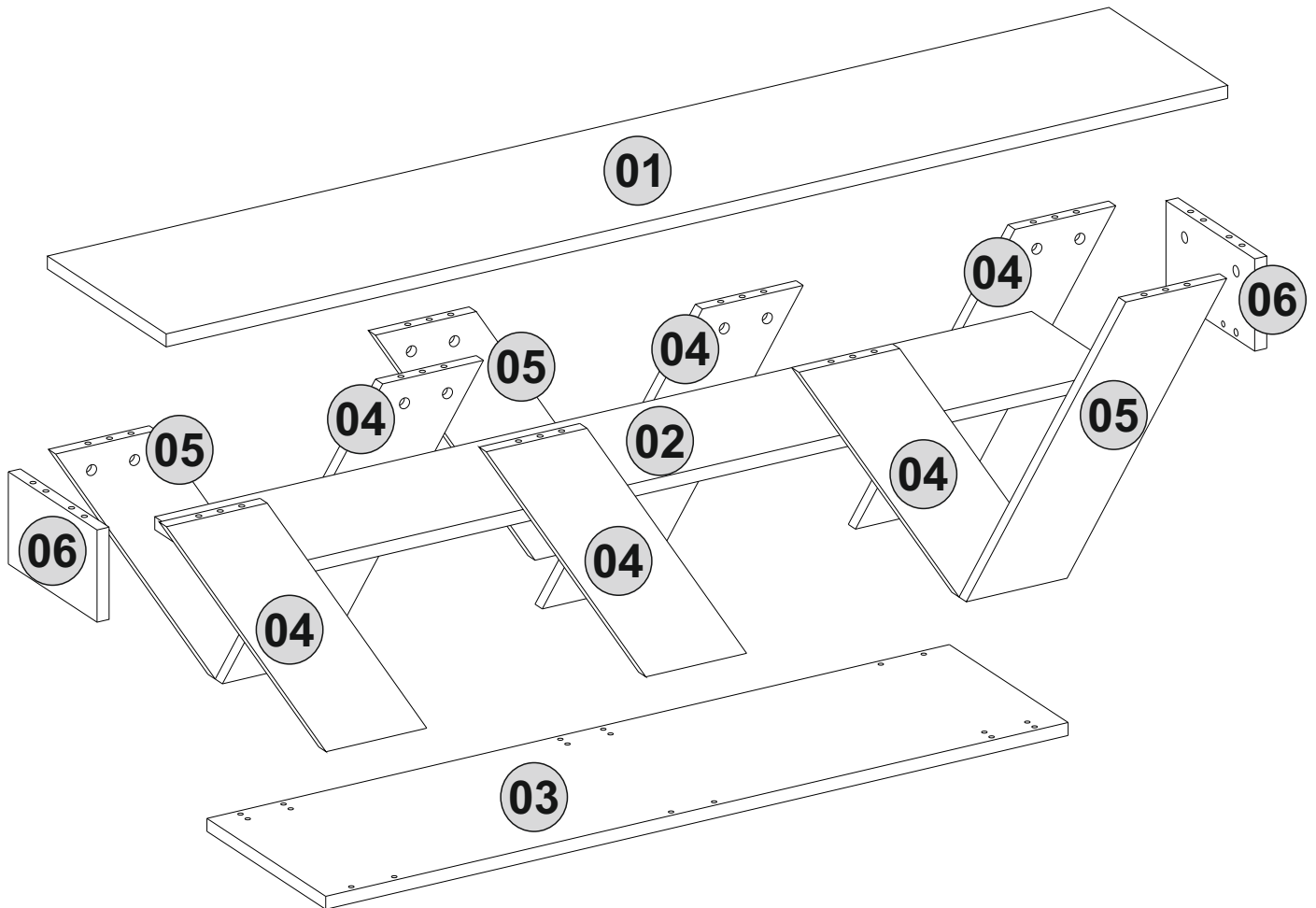
Position the parts as shown in the installation guide steps.



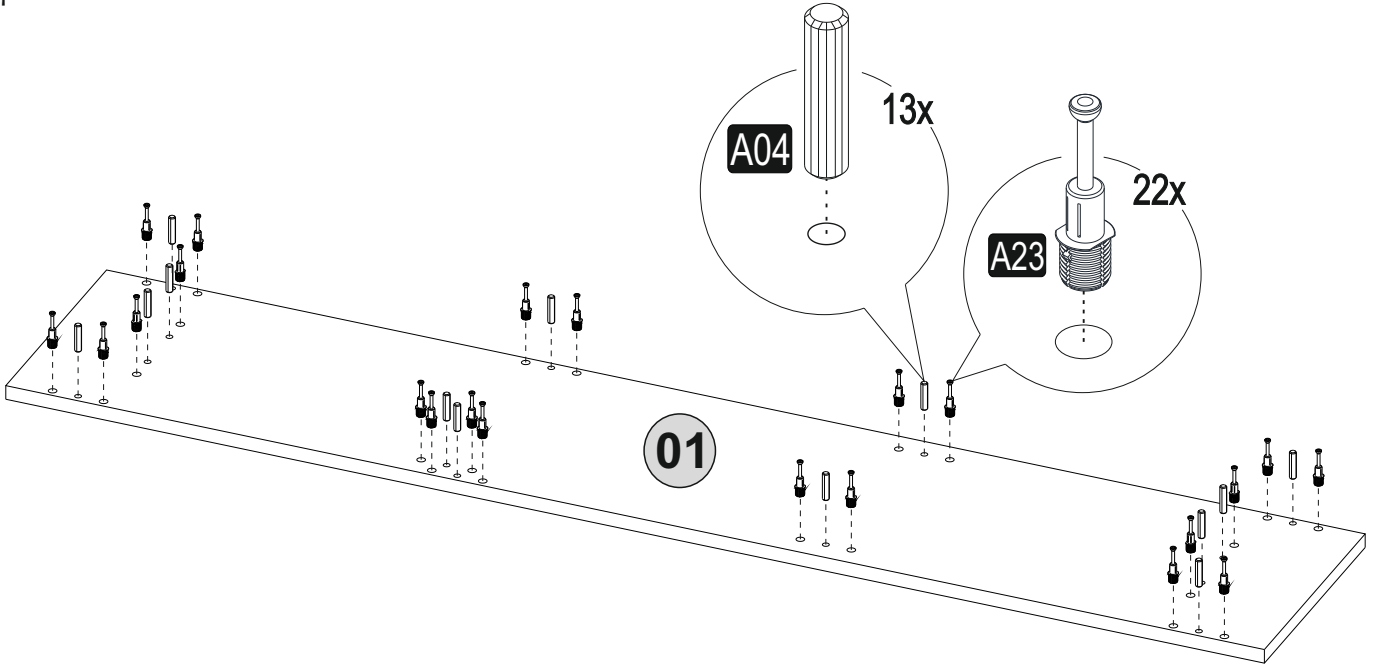
ACCESSORY LIST

A22 Minifix k18  26x	A23 Minifix M10  26x	A04 Ø8  17x	A13 50mm  18x	A12 Allen  1x
A26 Allen  1x	A08 5mm  C1-6x	A06 18mm  C1-44x		

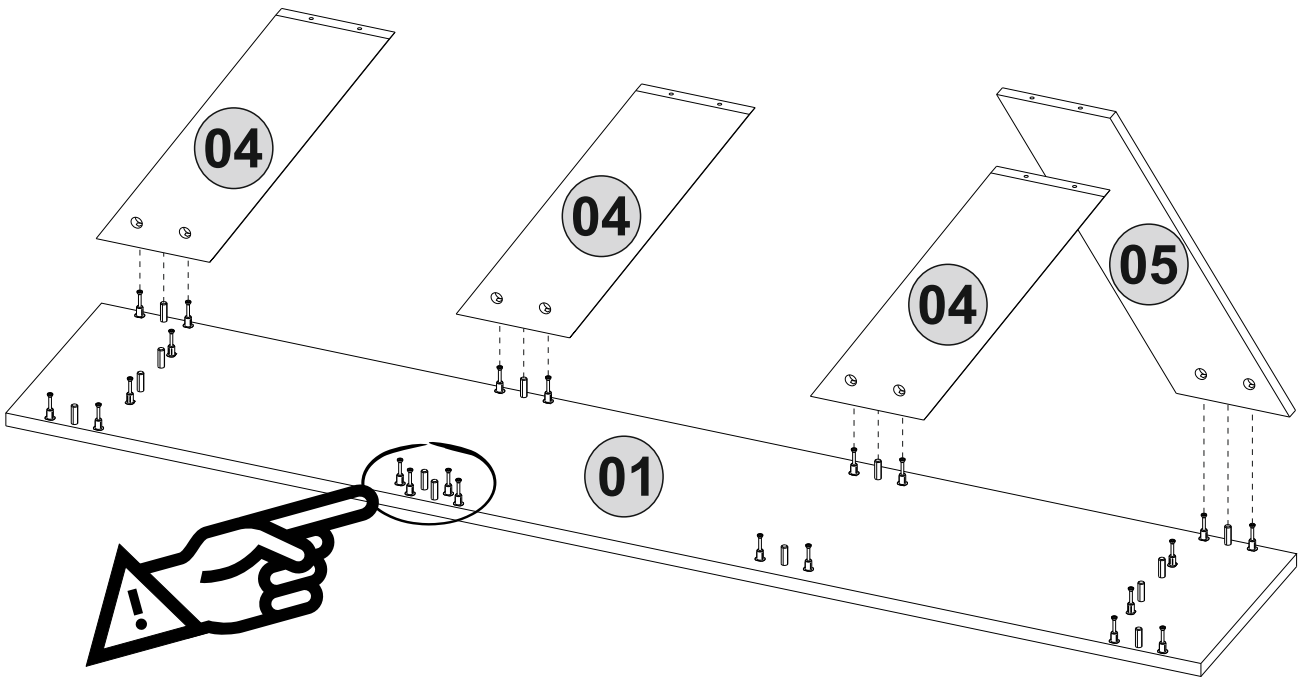
GENERAL VIEW



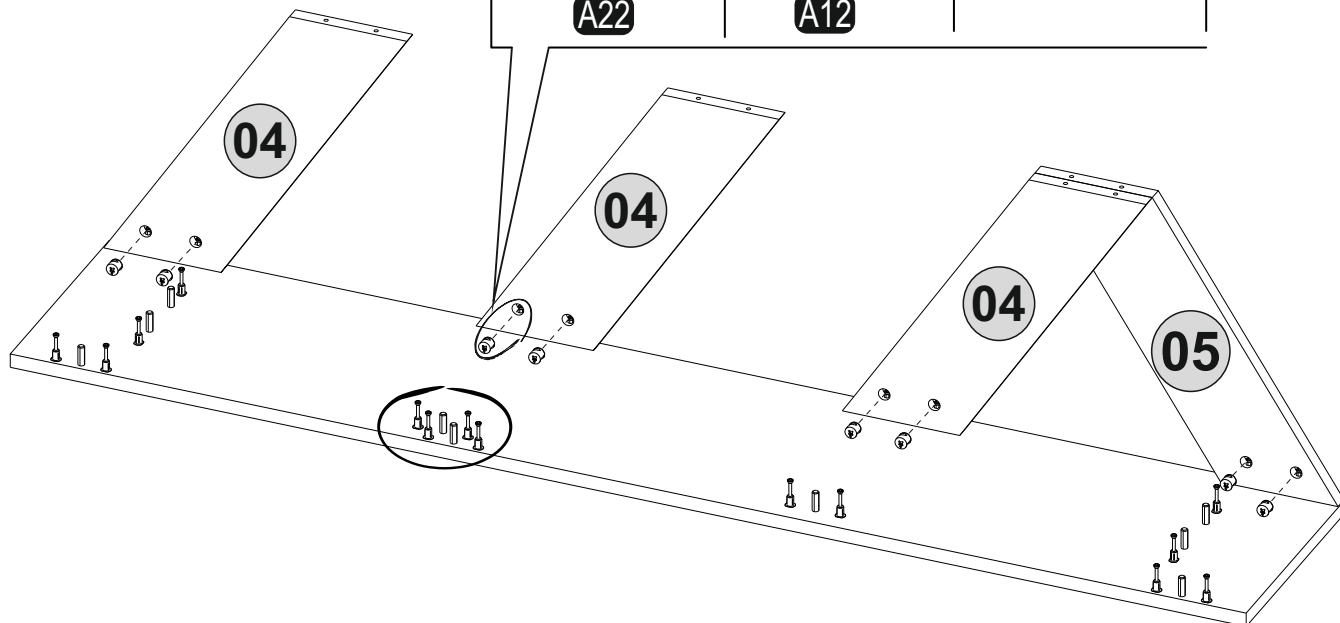
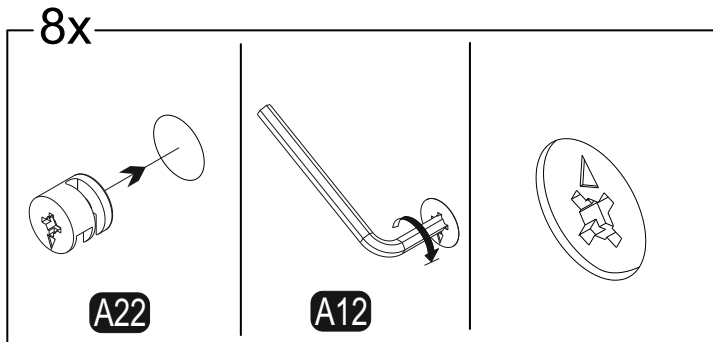
1. step

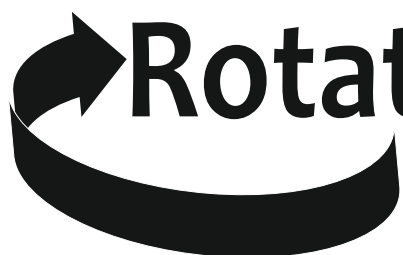


2. step

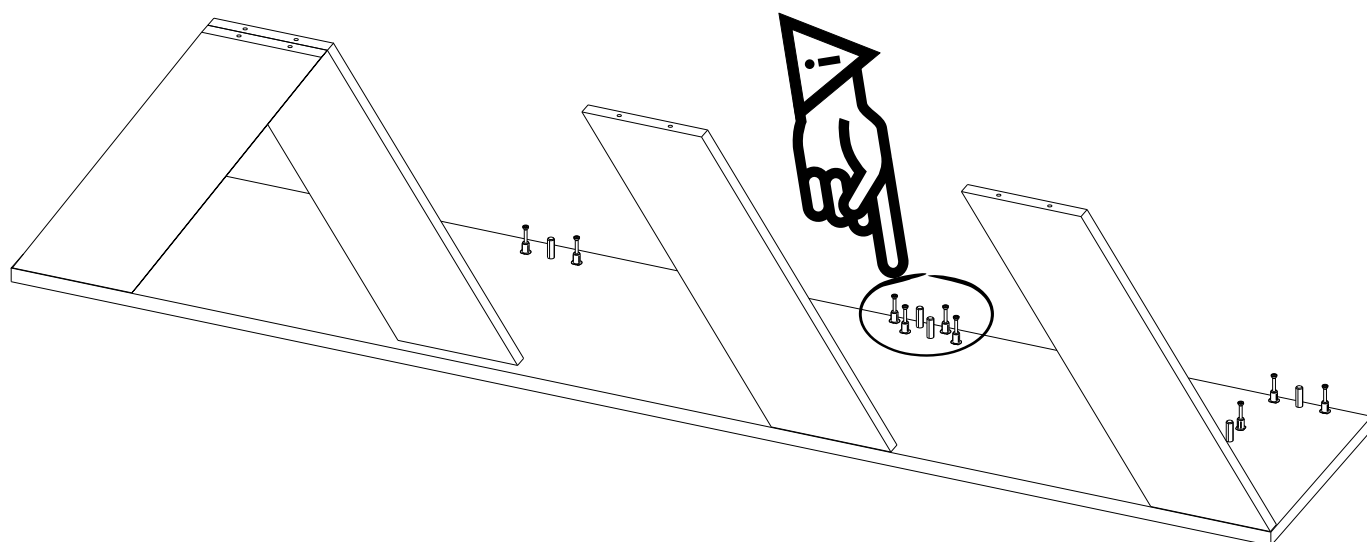


3 step

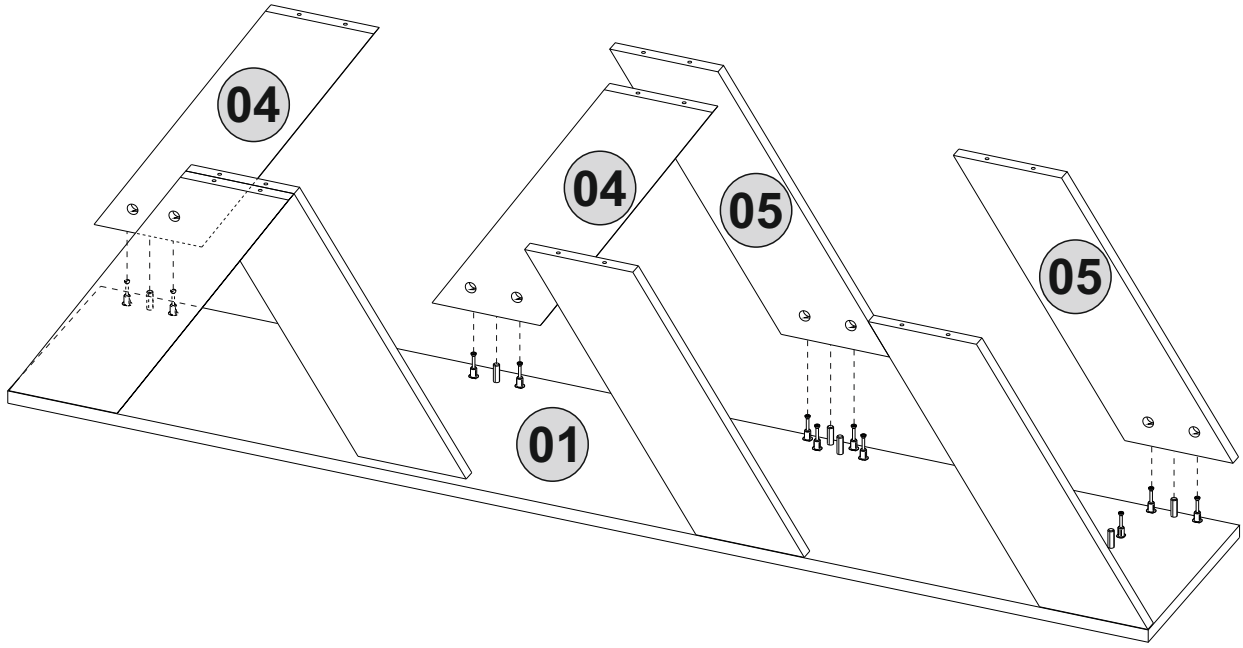


 **Rotate**

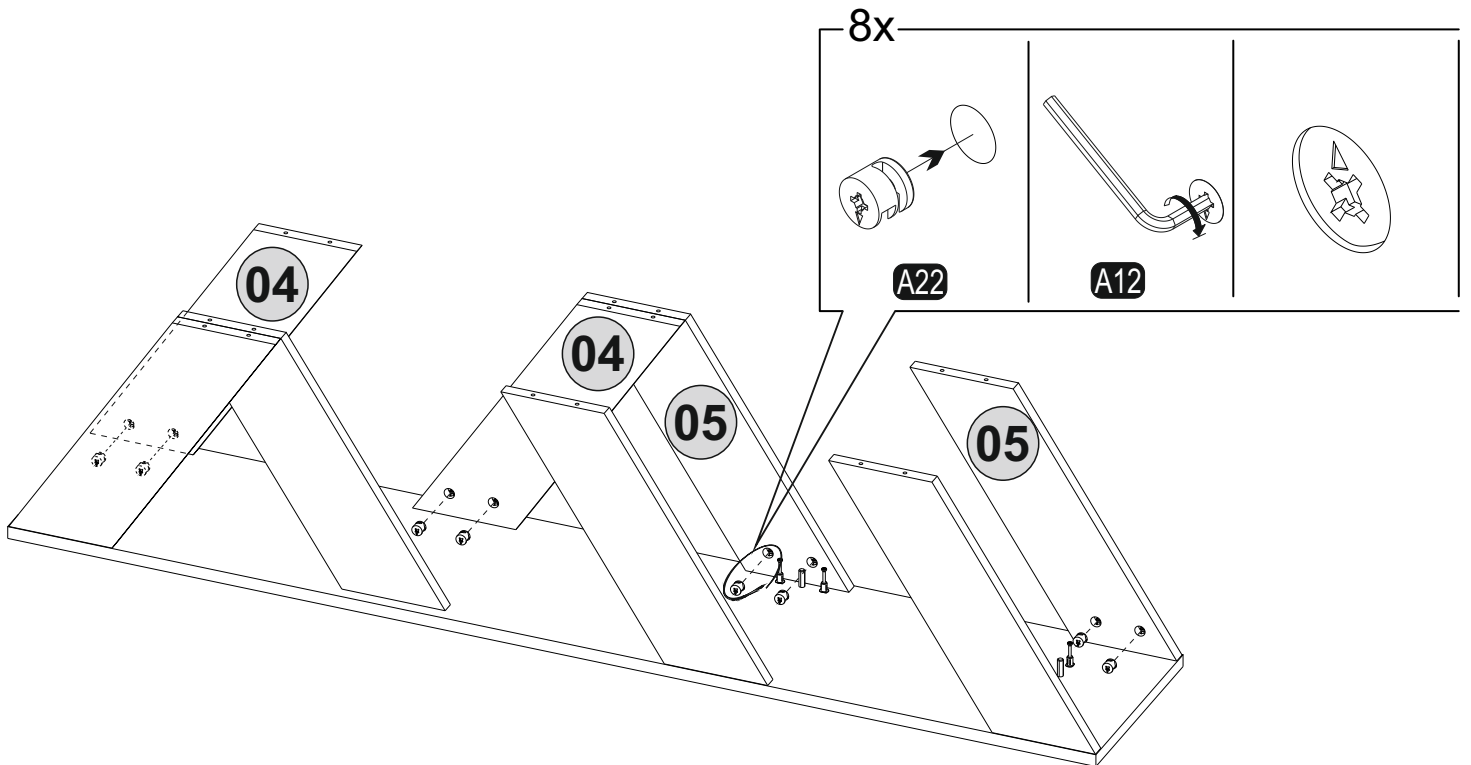
4 step



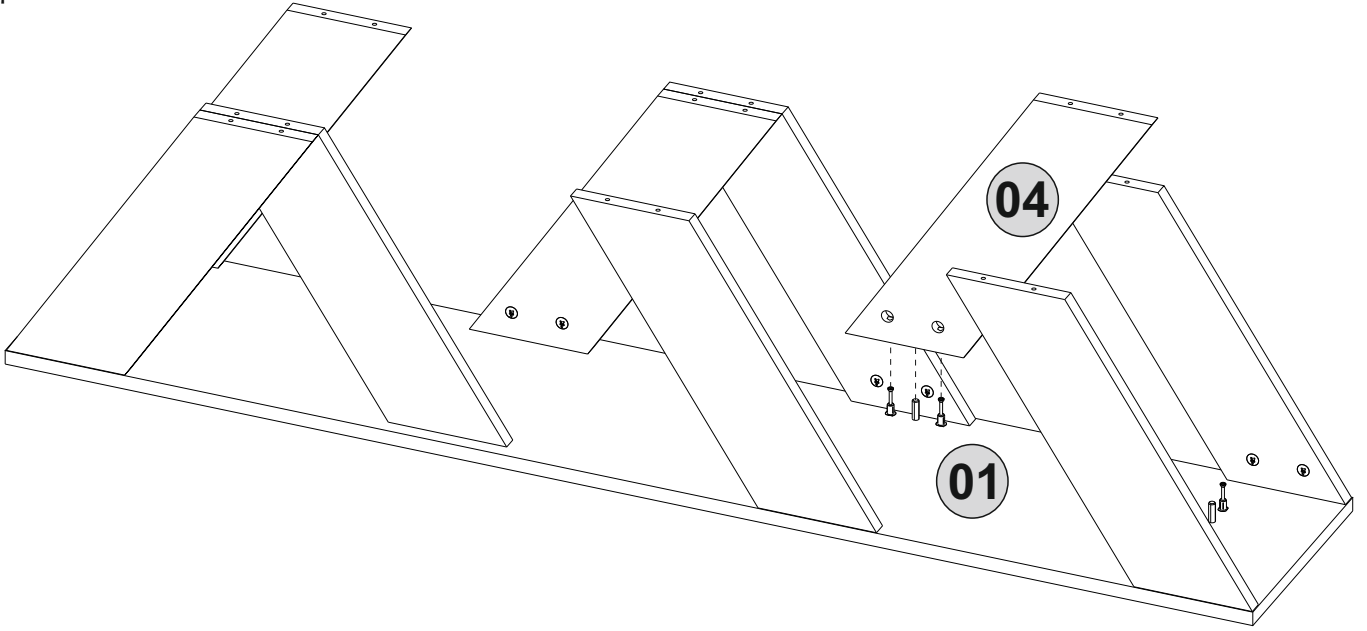
5_{step}



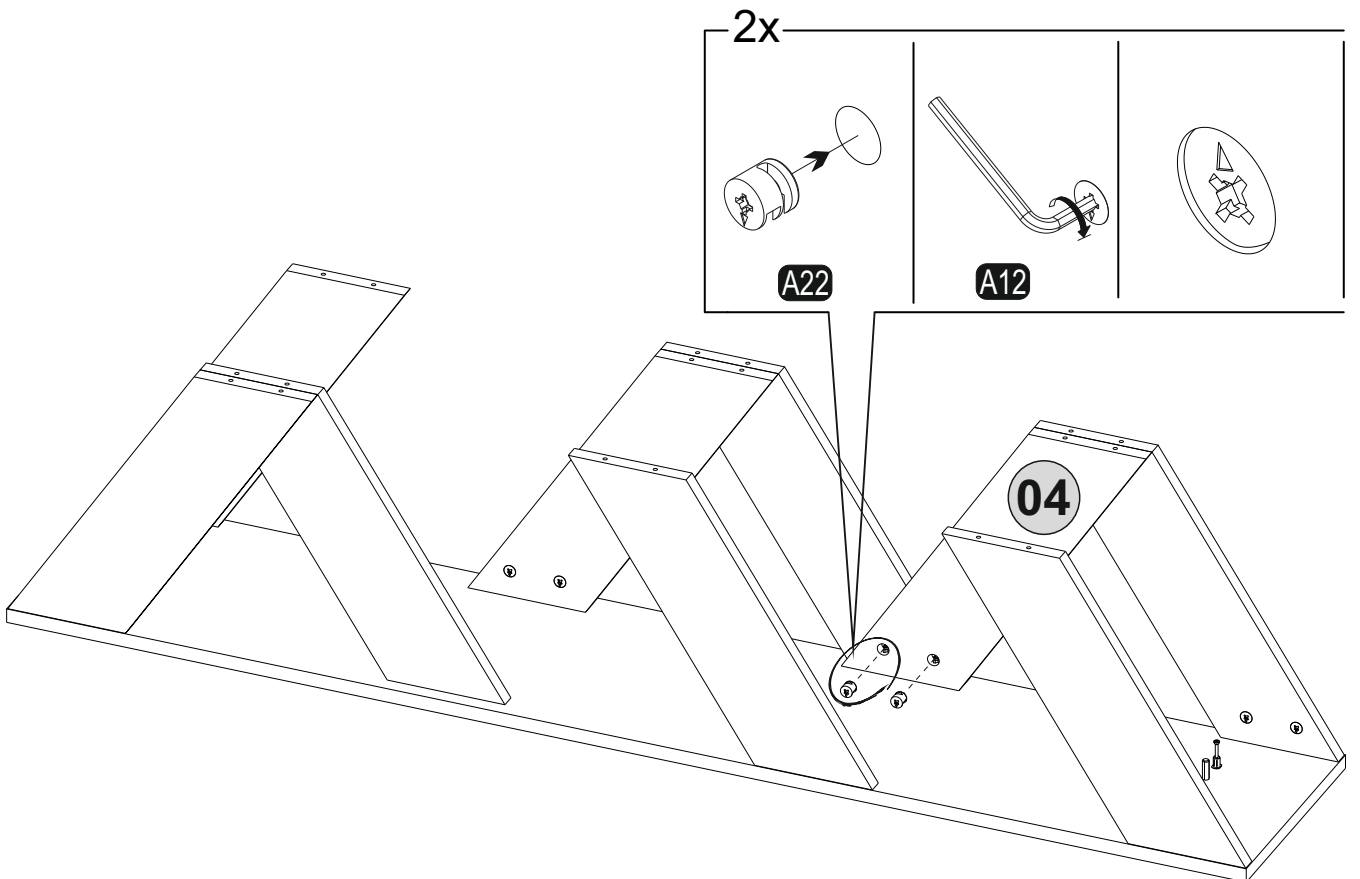
6_{step}



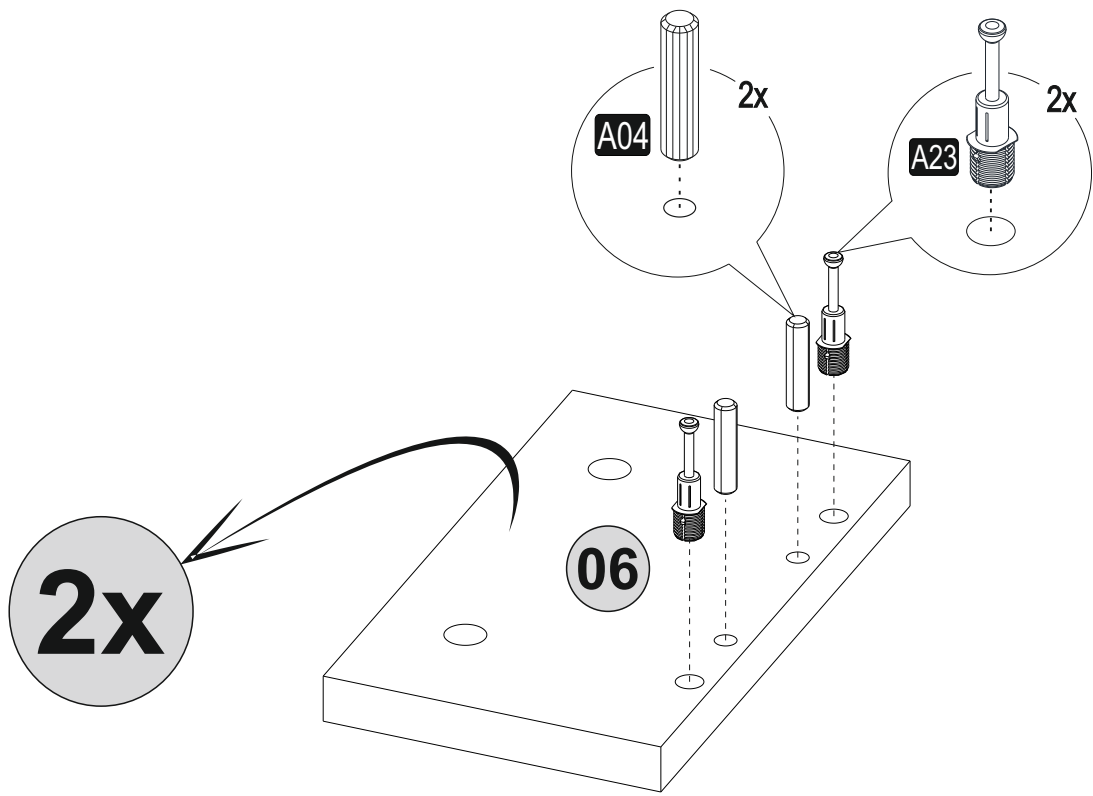
7^{step}



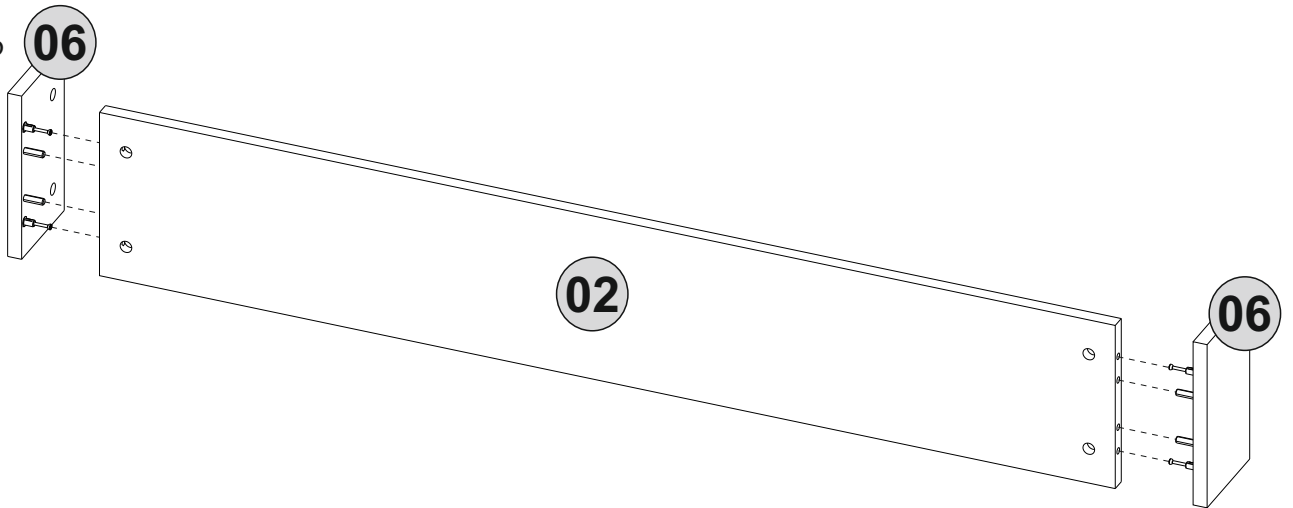
8^{step}



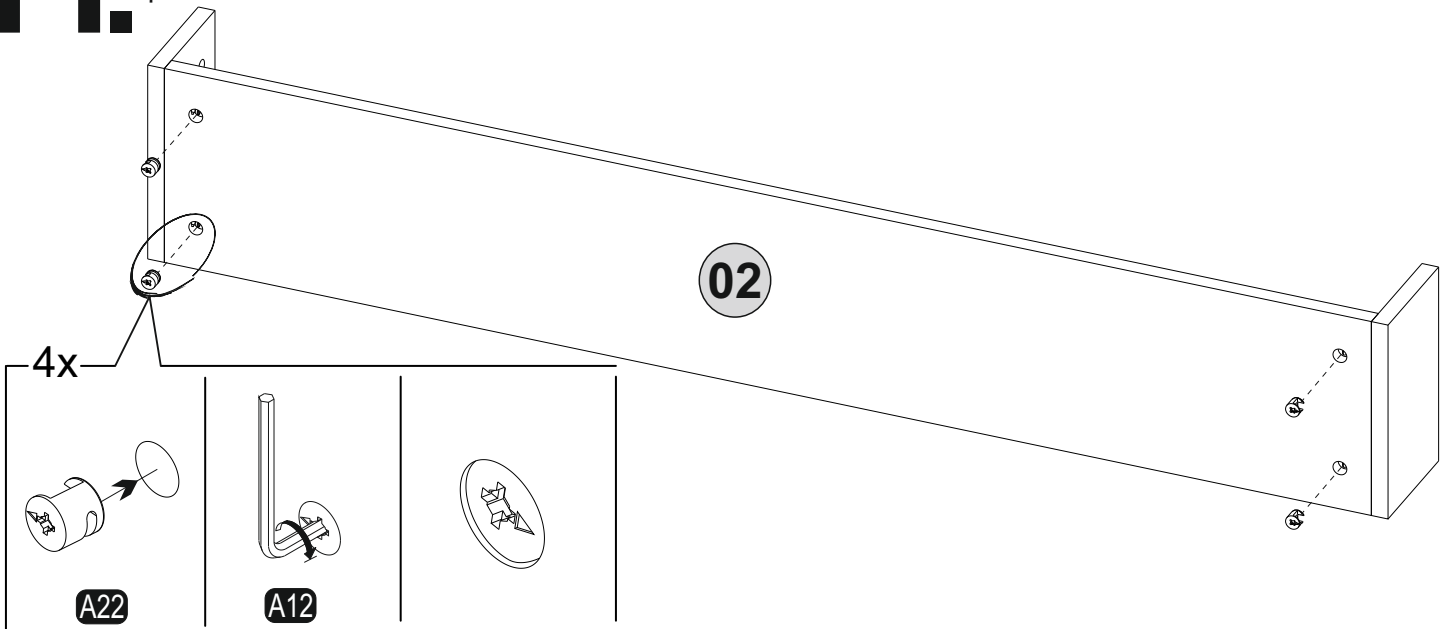
9.^{step}



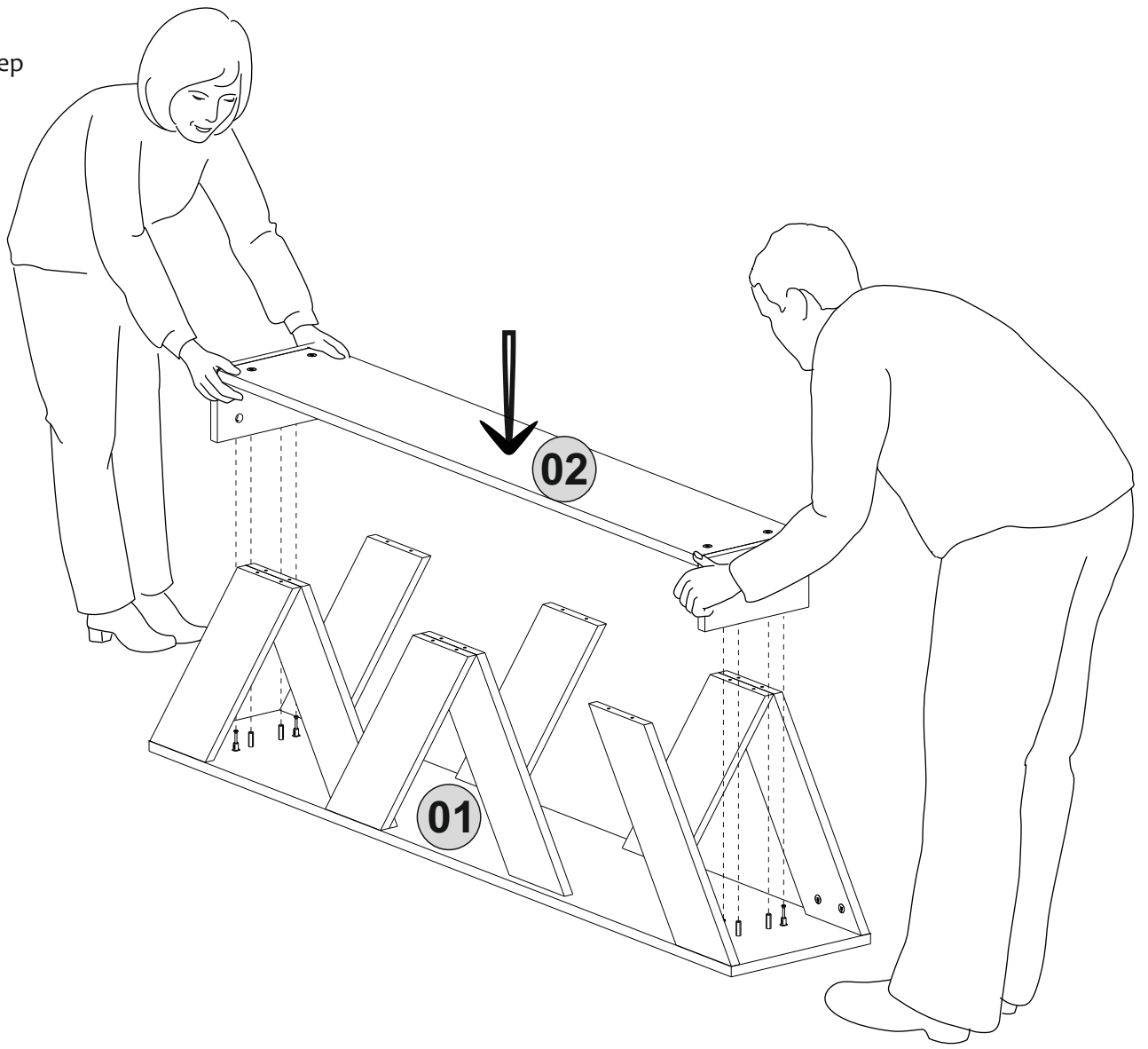
10.^{step}



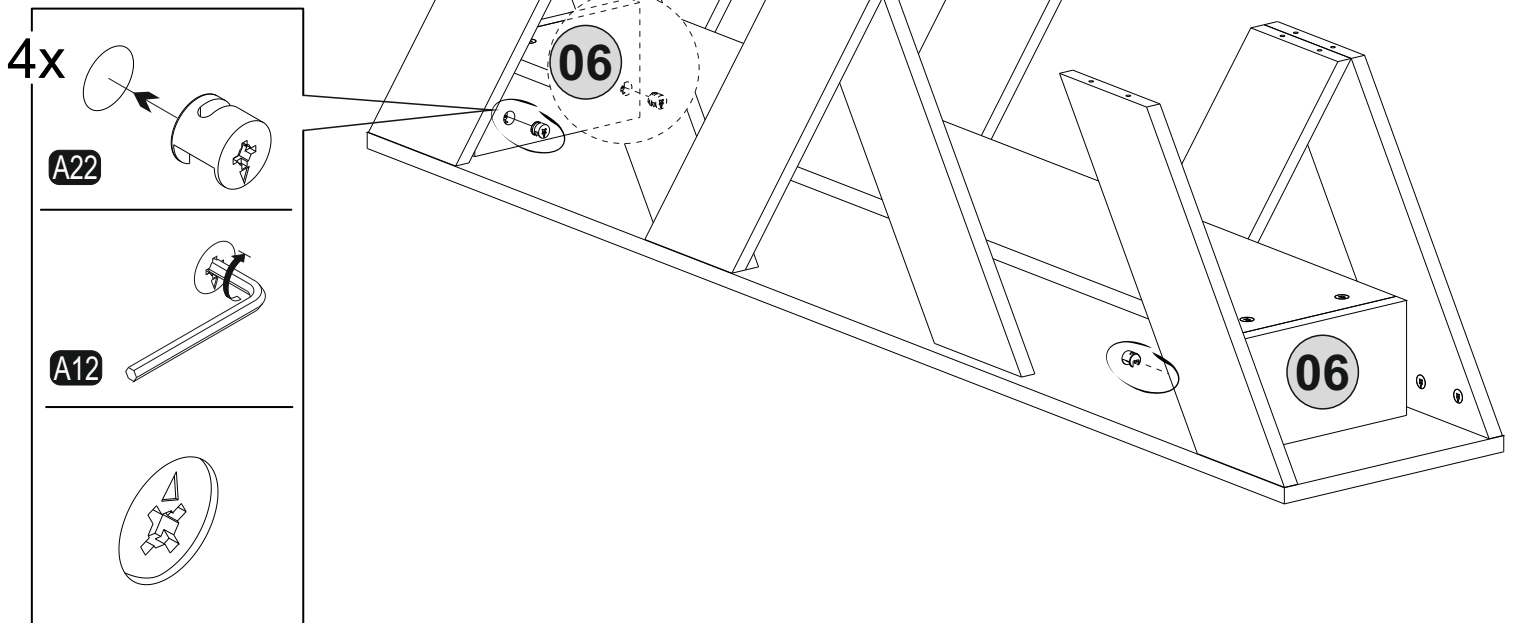
11.^{step}



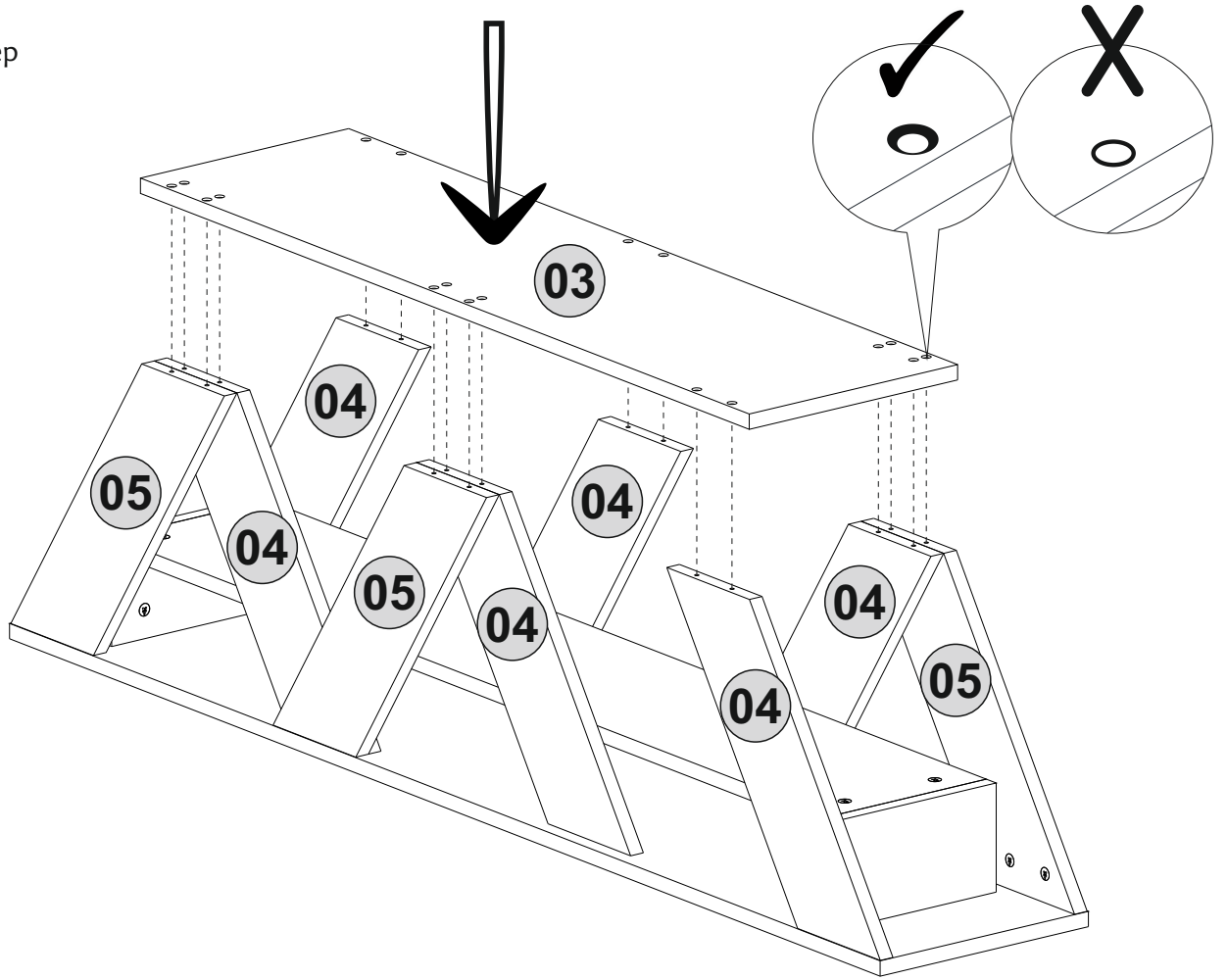
12.^{step}



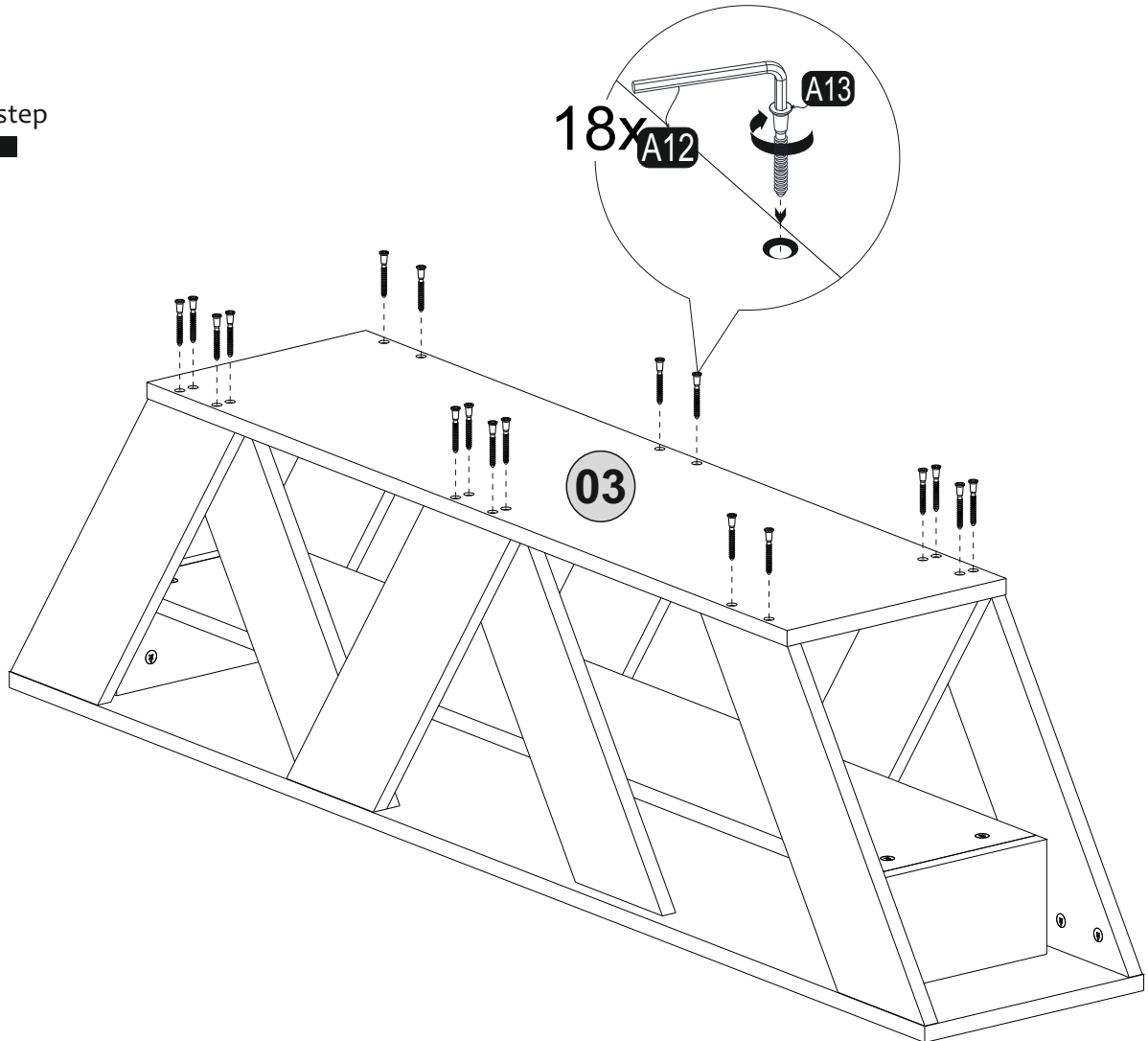
13.^{step}



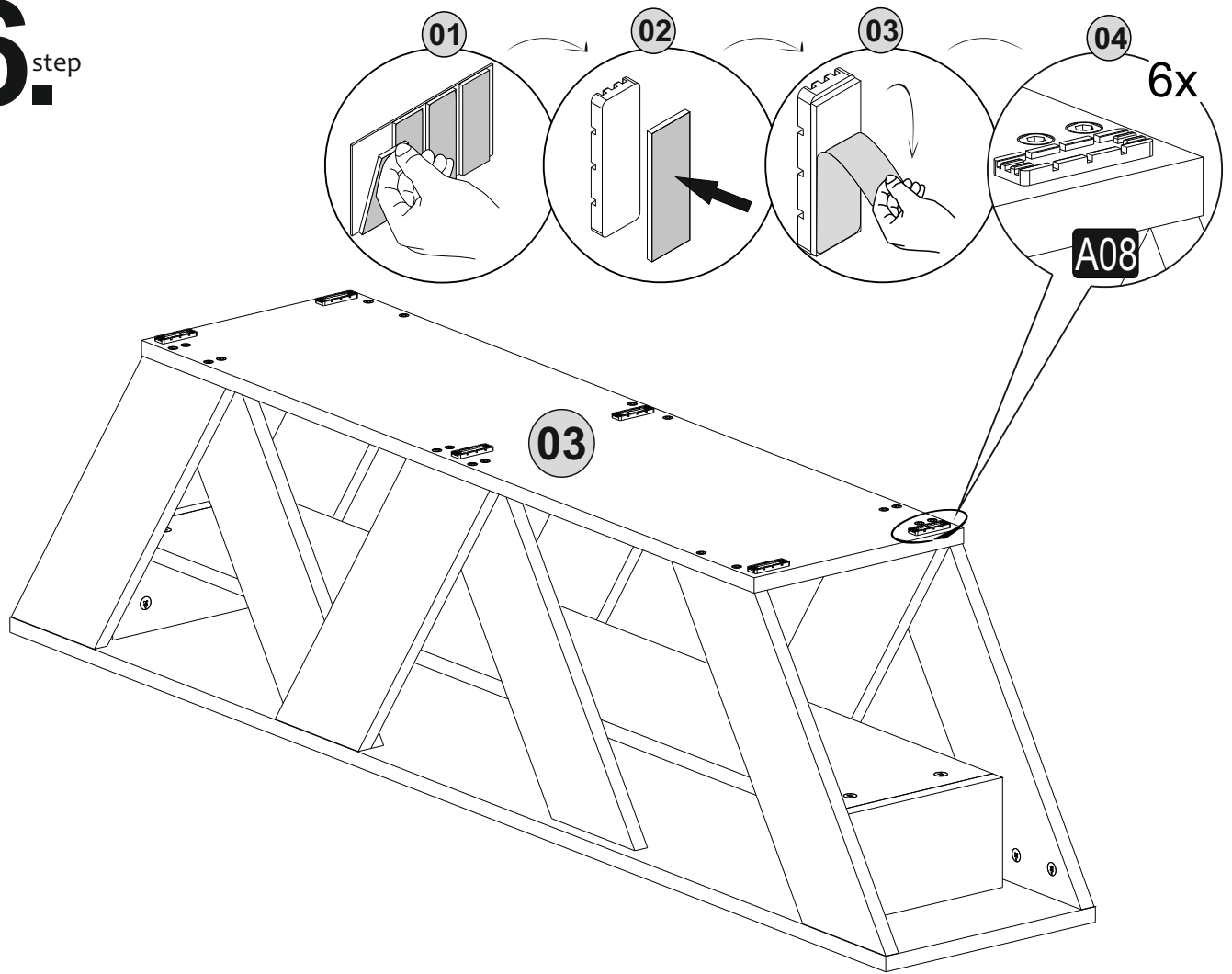
14._{step}



15._{step}



16.^{step}



17.^{step}

