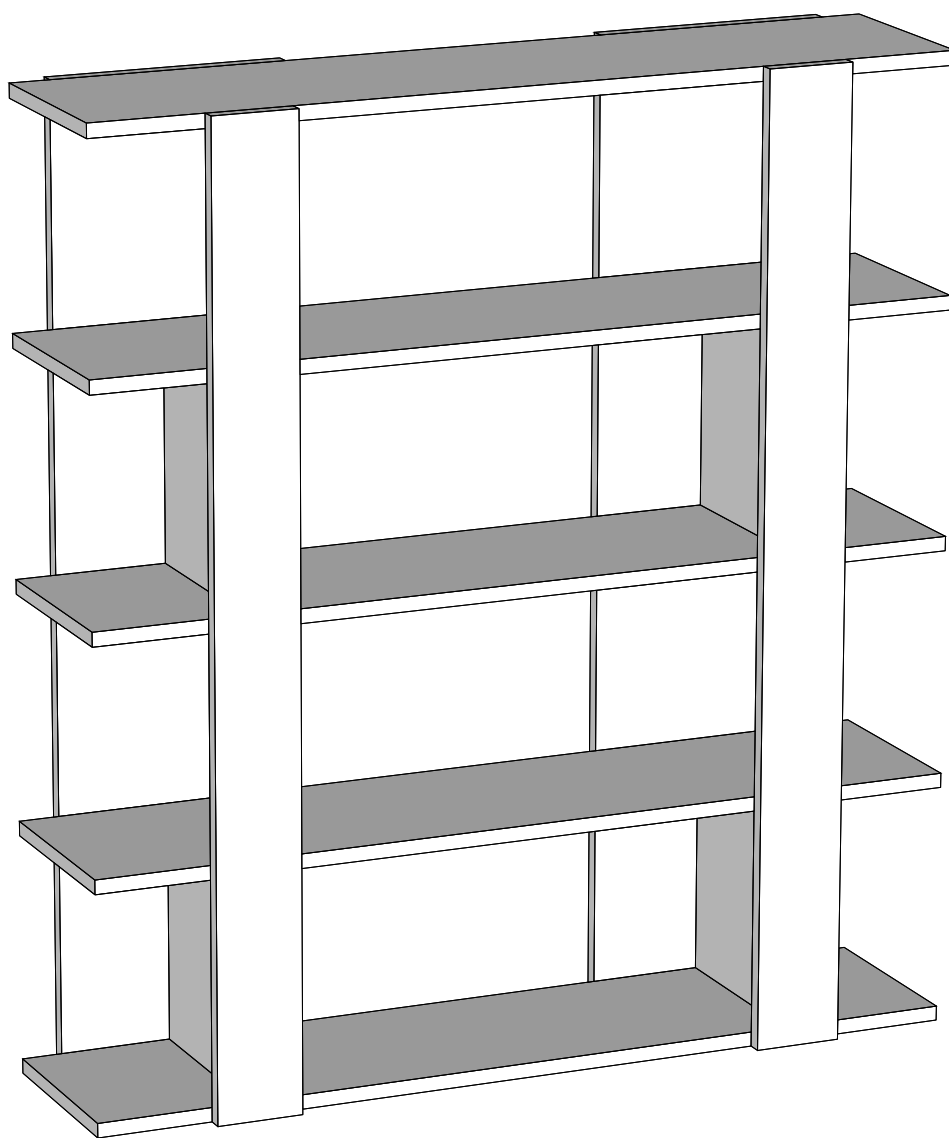
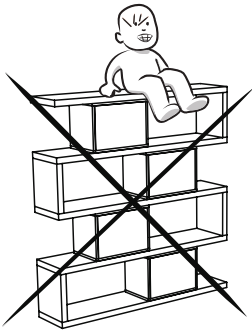
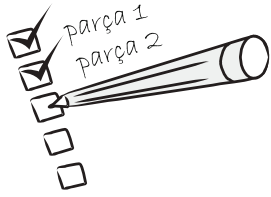


TITA

Assembly manual





Dear Customer,

We design and produce our product for people to love and have fun with them as we do.

The product you bought was subjected to all sorts of tests and control before sending out to you.

Before start assembling, please check the whole components and accessories according to the lists. If you bought more than one product, to prevent confusion be sure that you completed the first product. Then start the other product's assembling.

Before start assembling, please clean all the components with a damp cloth. Also for usual cleaning, this will be enough.

Although all the products are produced and packed carefully, sometimes happen that some component is damaged during the transportation. In such a case please check the missing or damaged part and do not hesitate to contact us.

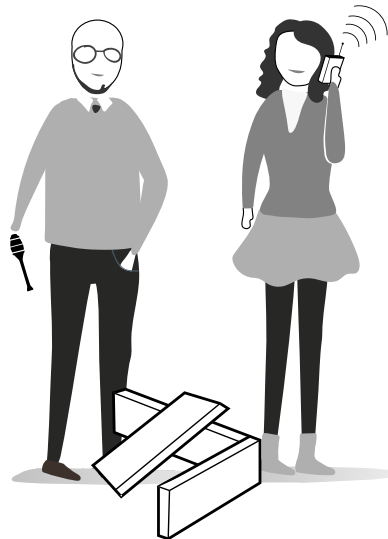
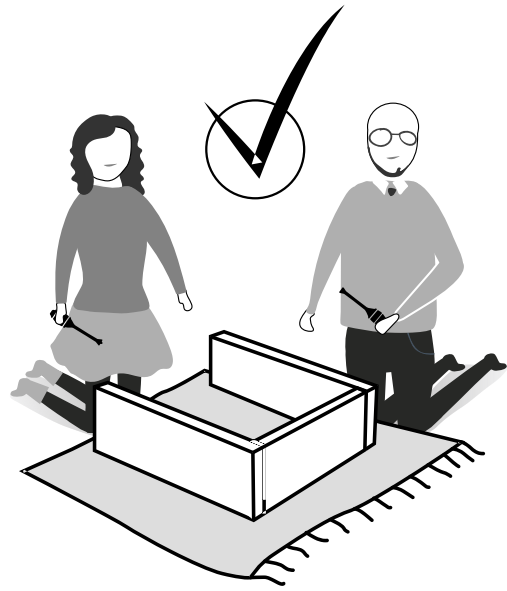
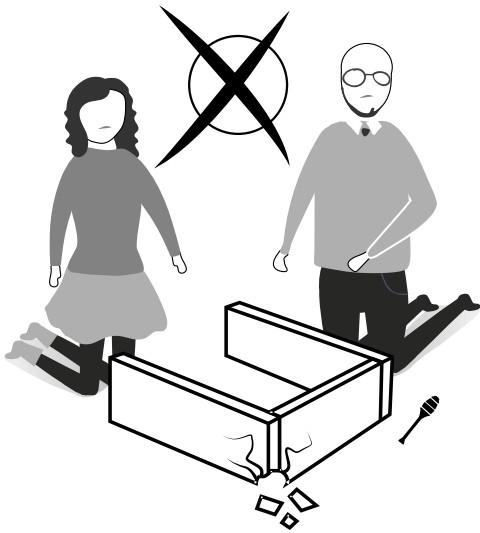
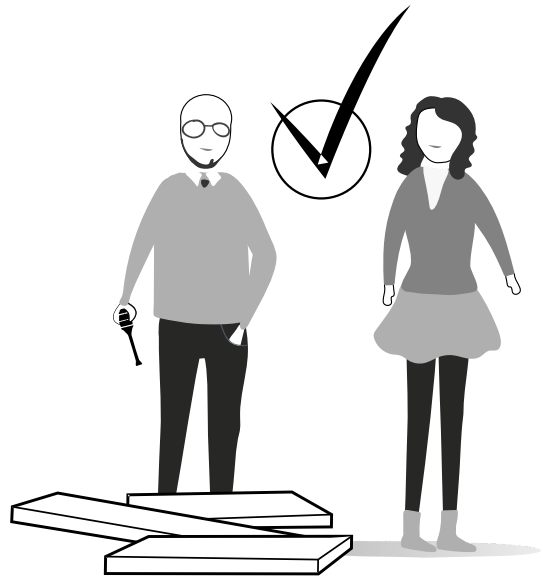
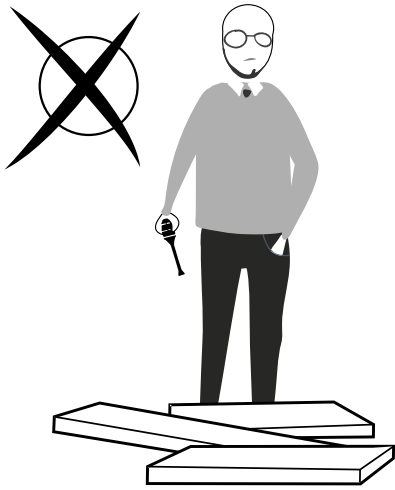
Do not use furniture for other purposes. If you would like to use it, please contact us for further questions.

Do not directly contact your furniture with excessive heat, cold and humidity because the product can be affected.

WARNING

Serious or fatal crushing injuries can occur from furniture tip-over. To prevent this furniture from tipping over it must be permanently fixed to the wall with the included wall attachment devices.

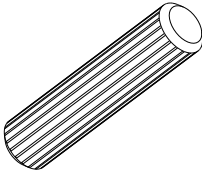
Fixing devices for the wall are not included since different wall materials require different types of fixing devices. Use fixing devices suitable for the walls in your home. For advice on suitable fixing systems, contact your local specialized dealer.



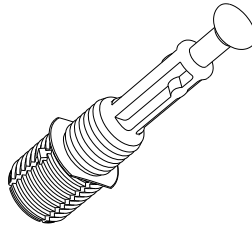
ATTENTION !!

Minifix is the main connection material used in Decortie products. Before starting assembly, please check the drawings below.

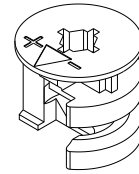
A04



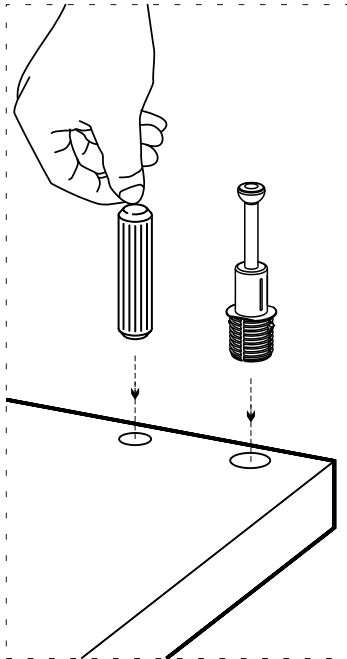
A23



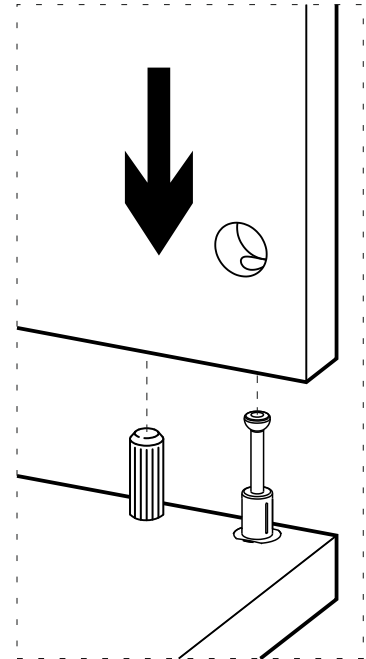
A22



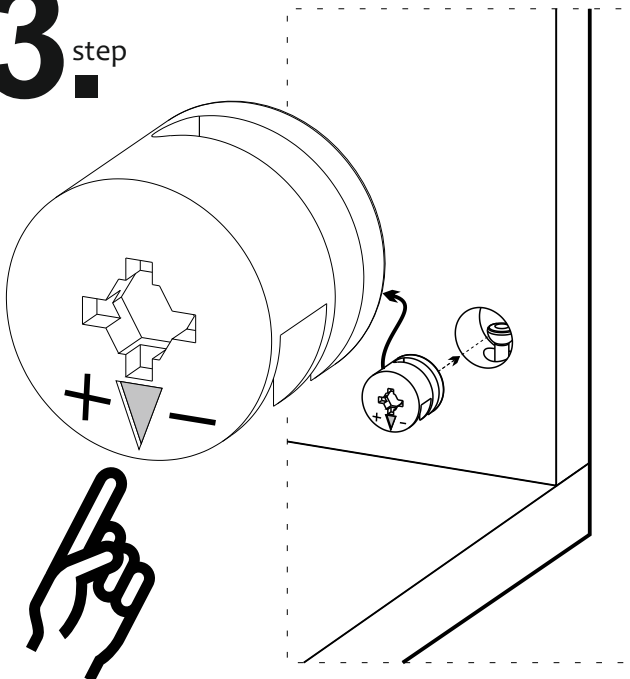
1. step



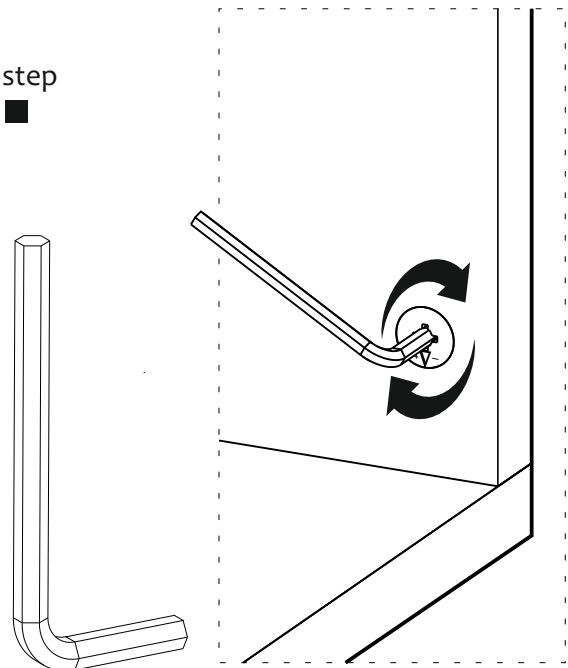
2. step



3. step



4. step



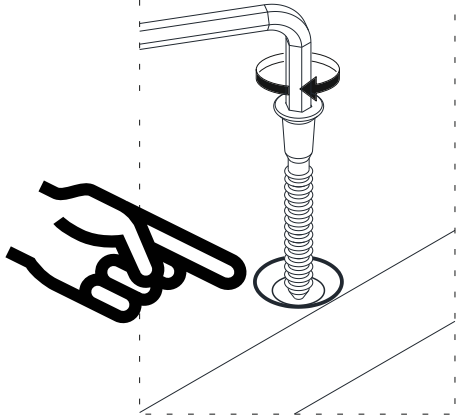
ATTENTION !!

Our products are screw system.
Before you proceed with installation
Try to understand the following

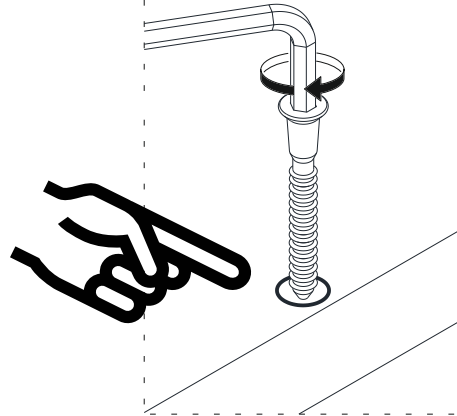
A13



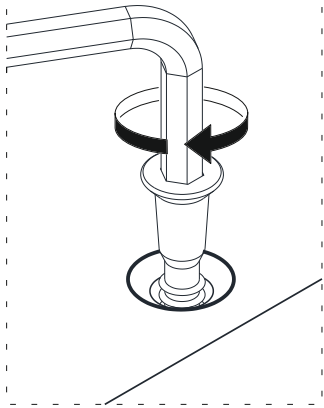
1._{step}



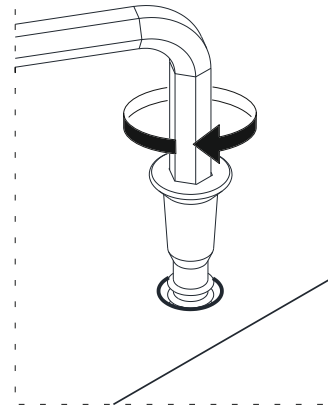
1._{step}



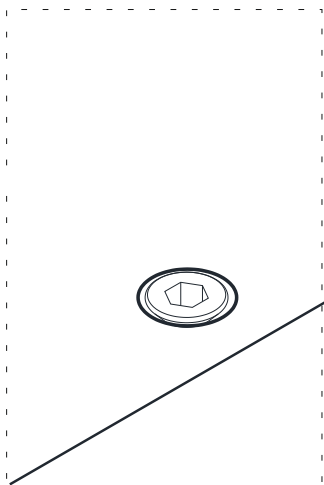
2._{step}



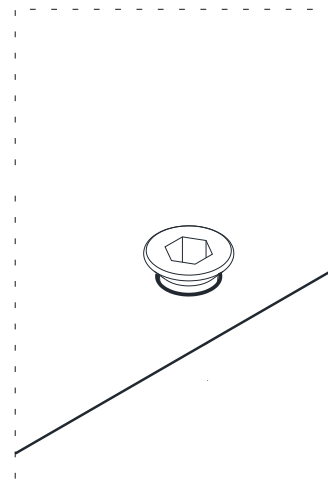
2._{step}



3._{step}



3._{step}

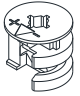

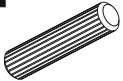

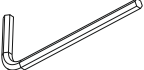
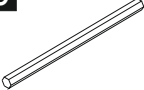
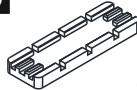



Follow the installation steps in the order as shown.

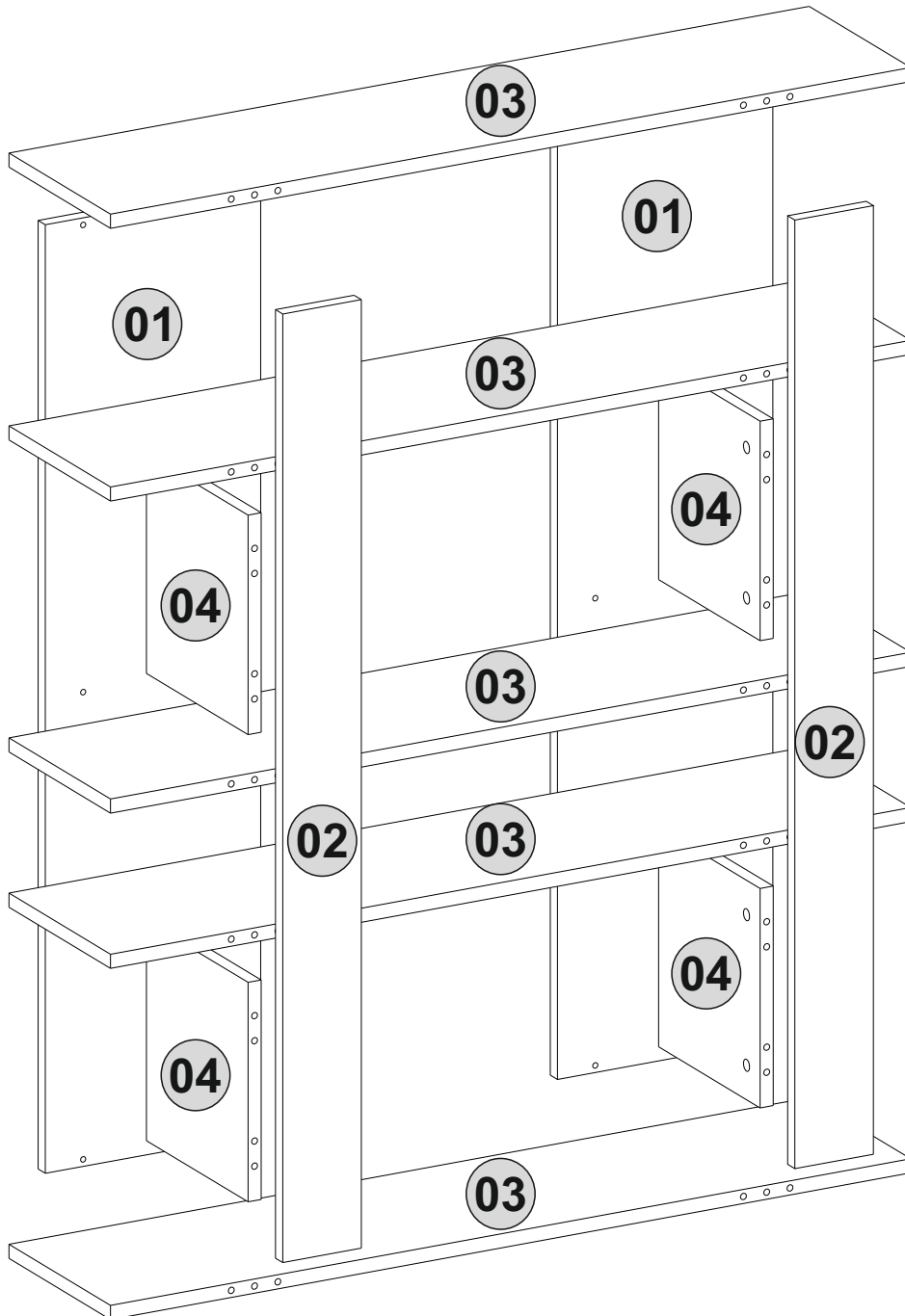
Position the parts as shown in the installation guide steps.



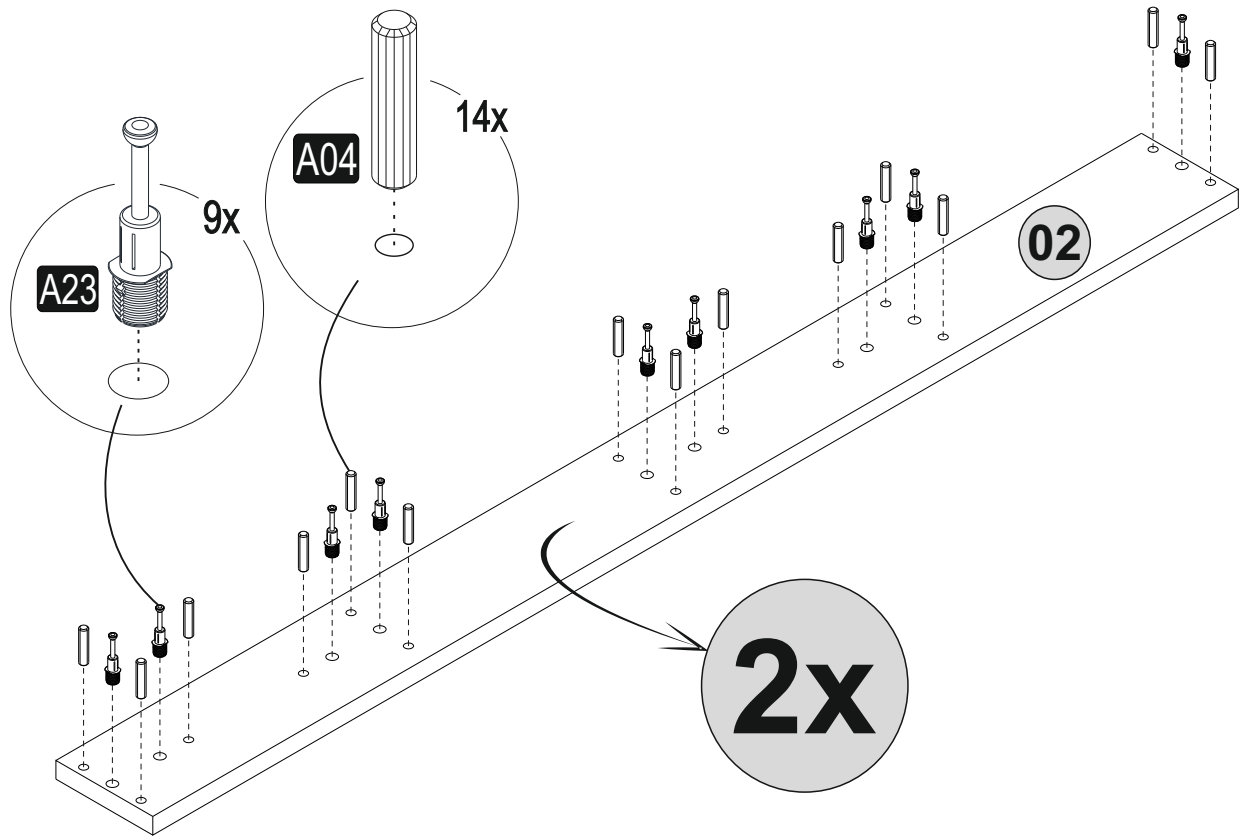
ACCESSORY LIST

A22  Minifix k18 18x	A23  Minifix M10 18x	A04  Ø8 28x	A13  50mm 28x	A12  Allen 1x
A26  Allen 1x	A08  5mm C2-4x	A06  18mm C1-28x C2-18x		

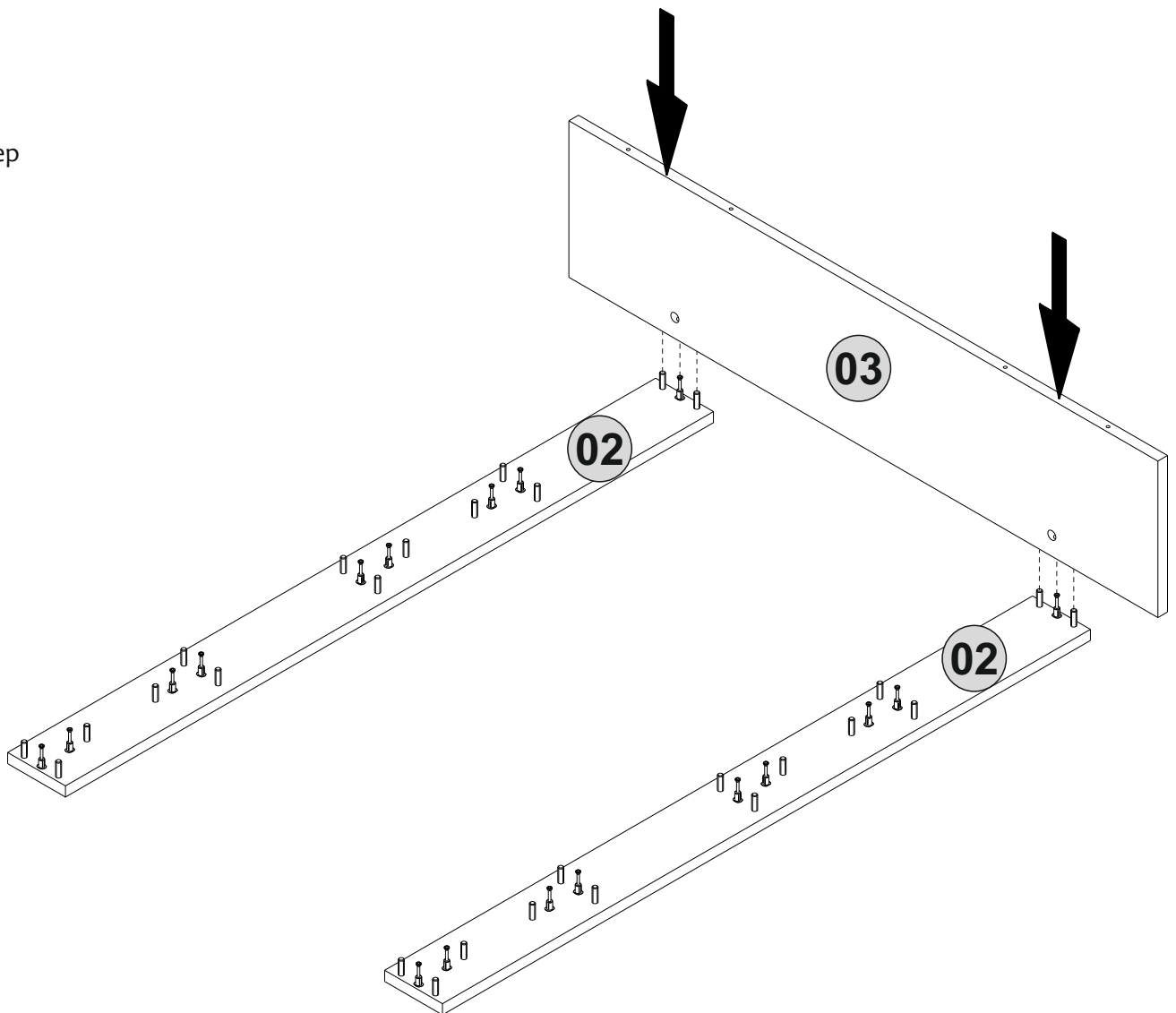
GENERAL VIEW



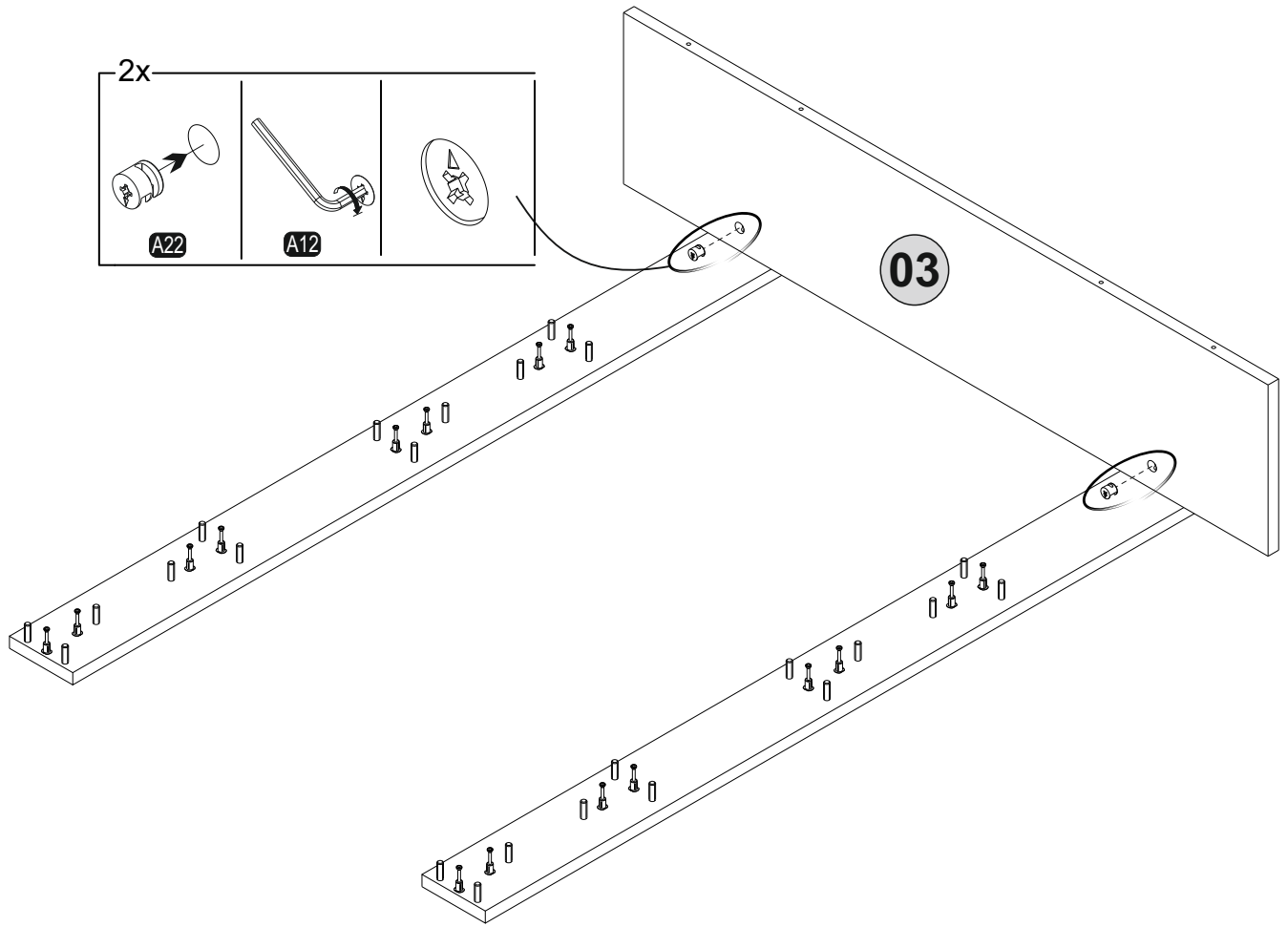
1. step



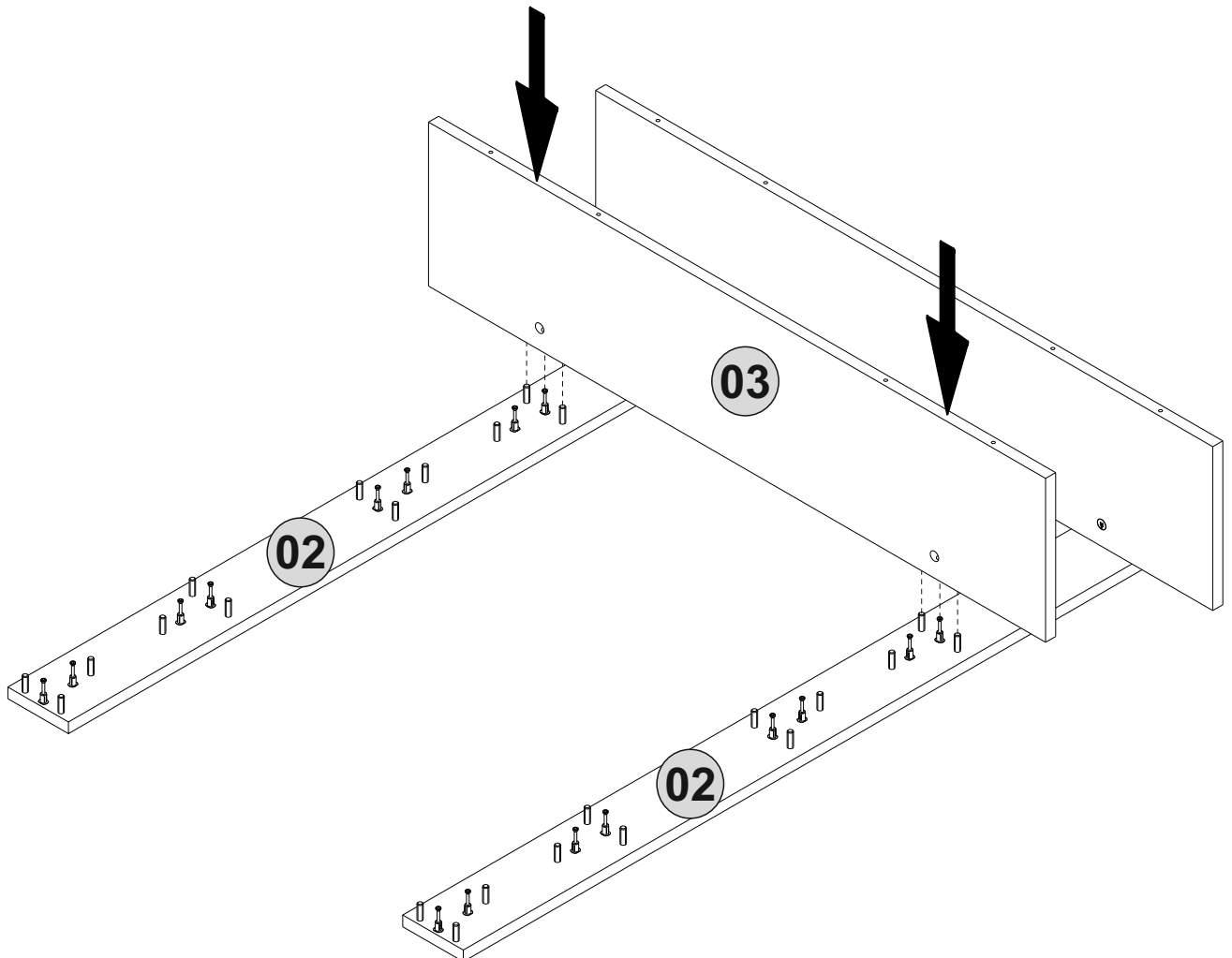
2. step



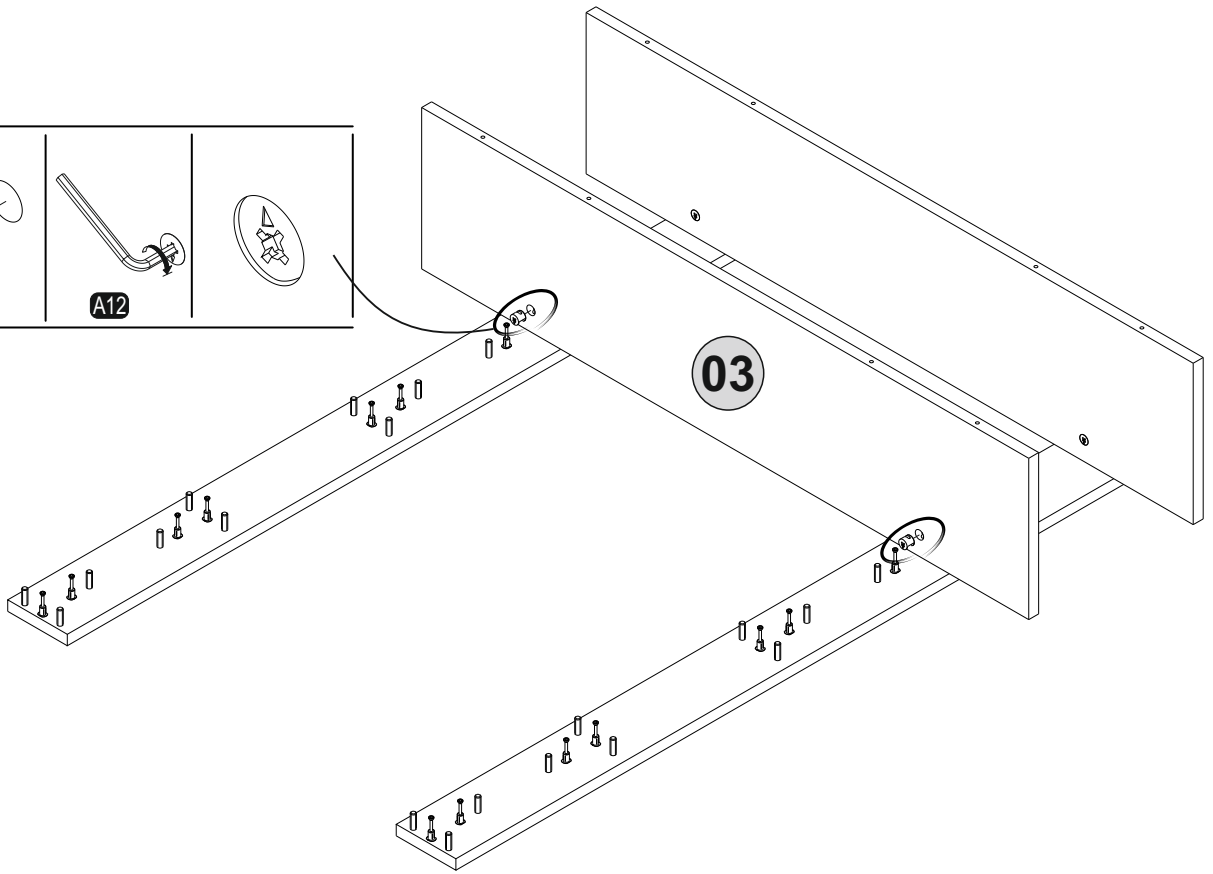
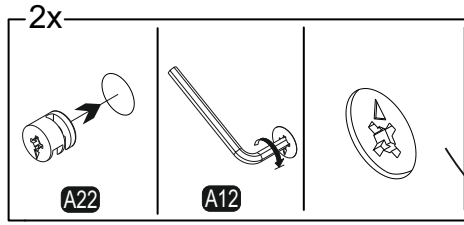
3 step



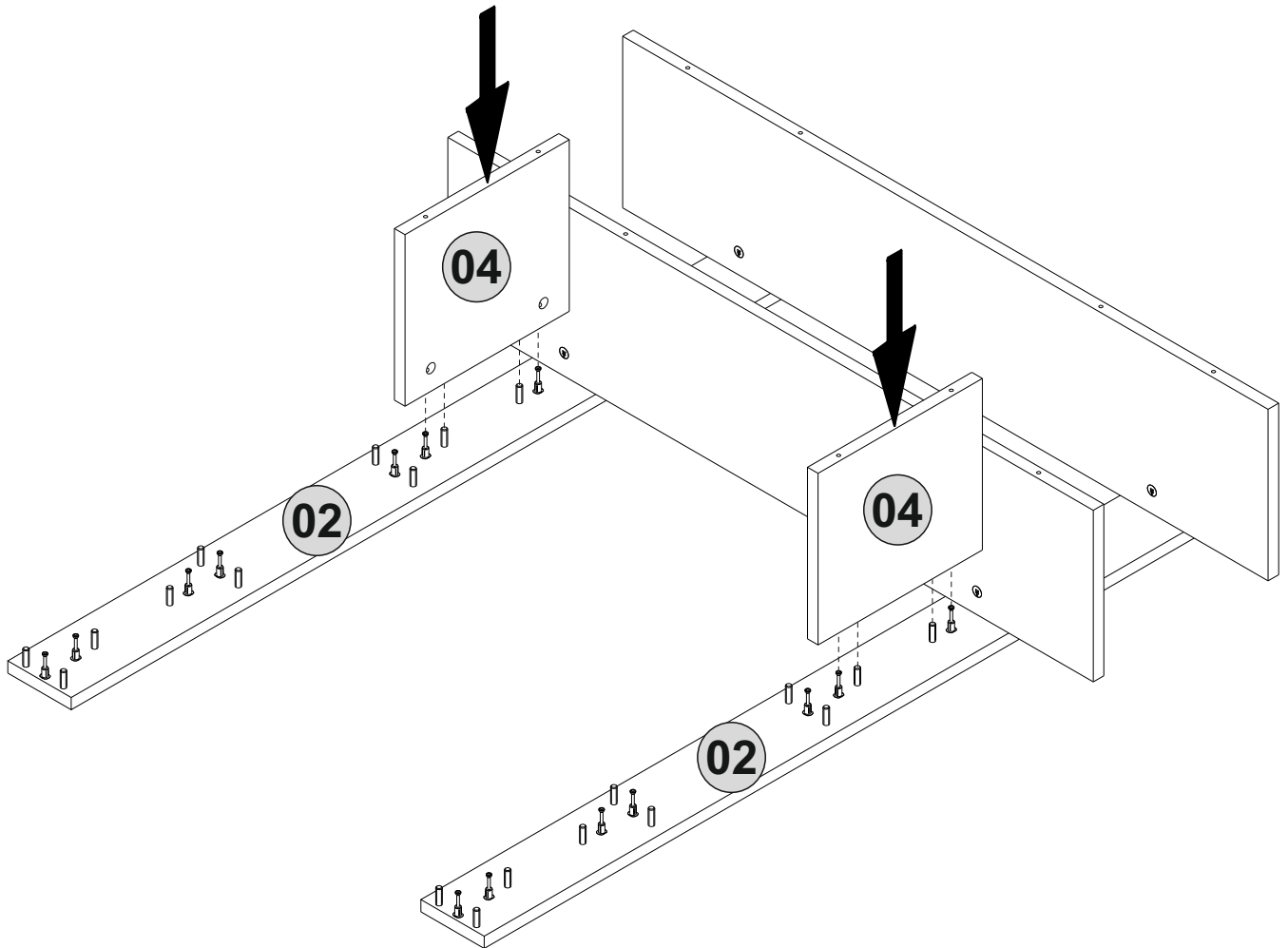
4 step



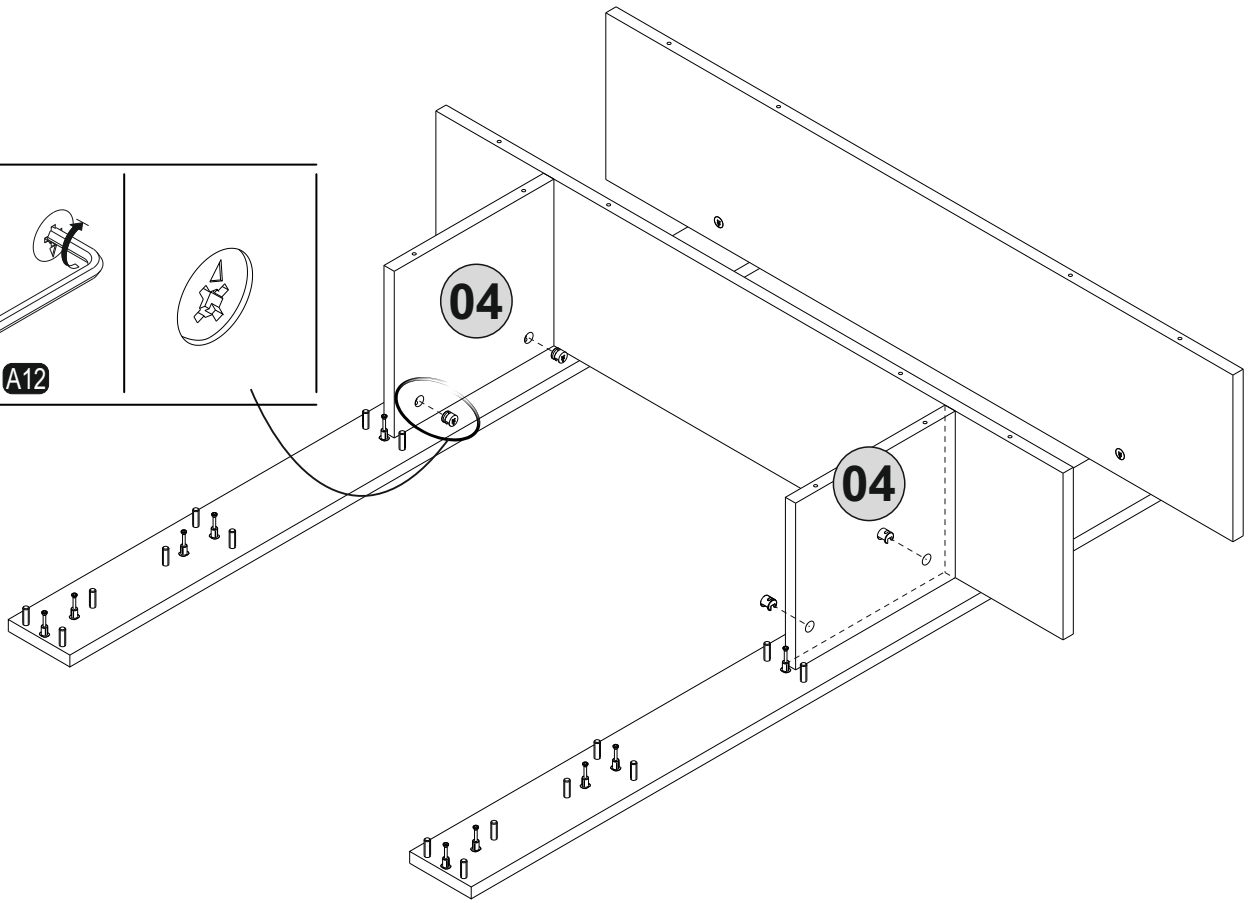
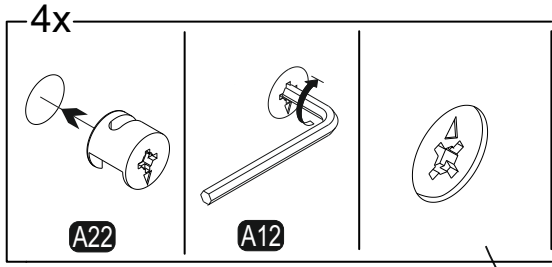
5 step



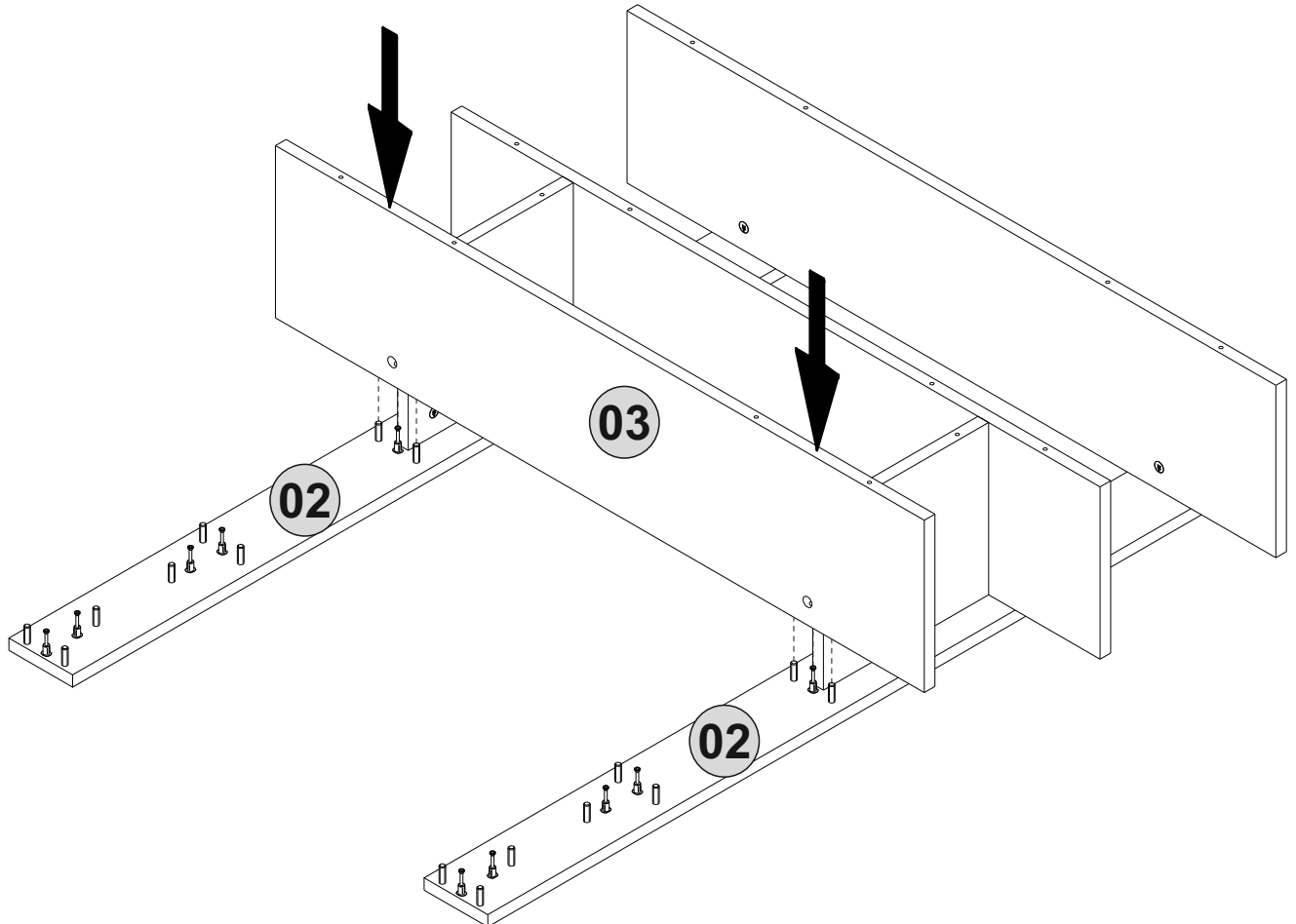
6 step



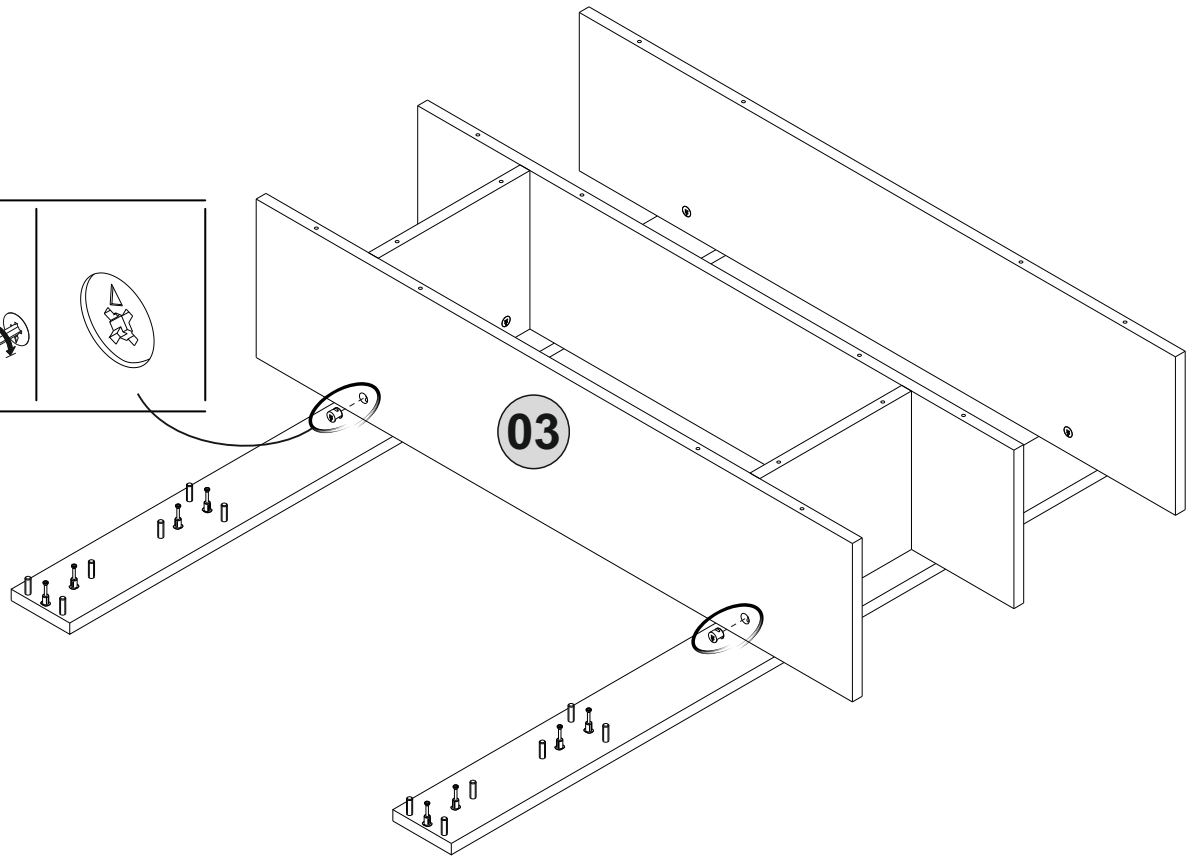
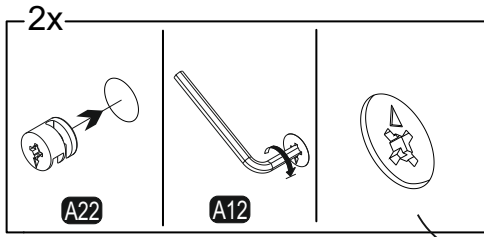
7 step



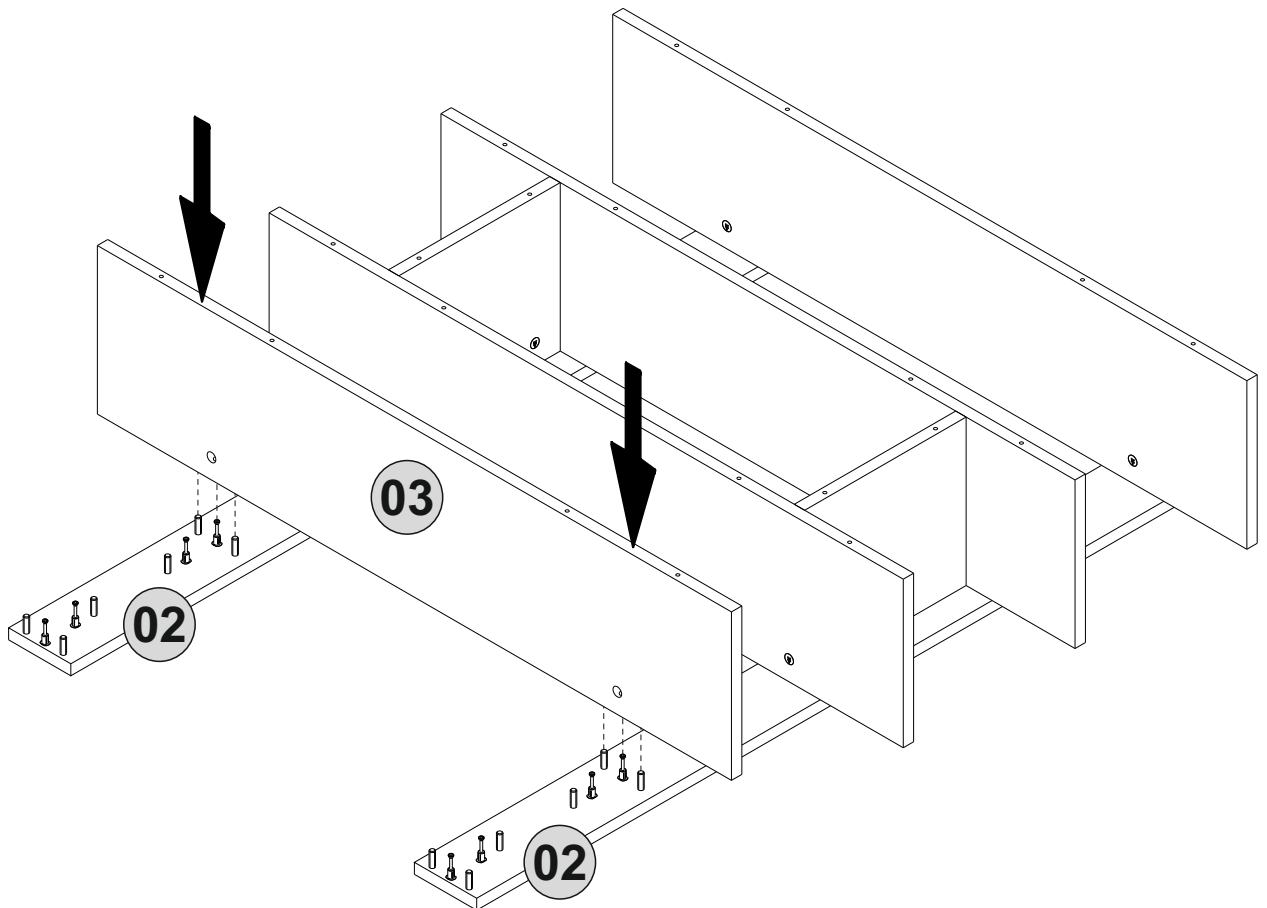
8 step



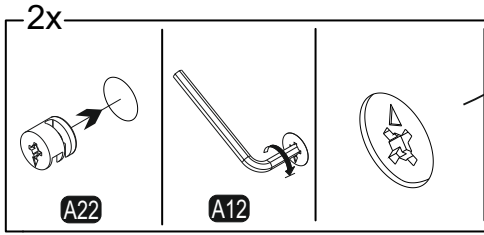
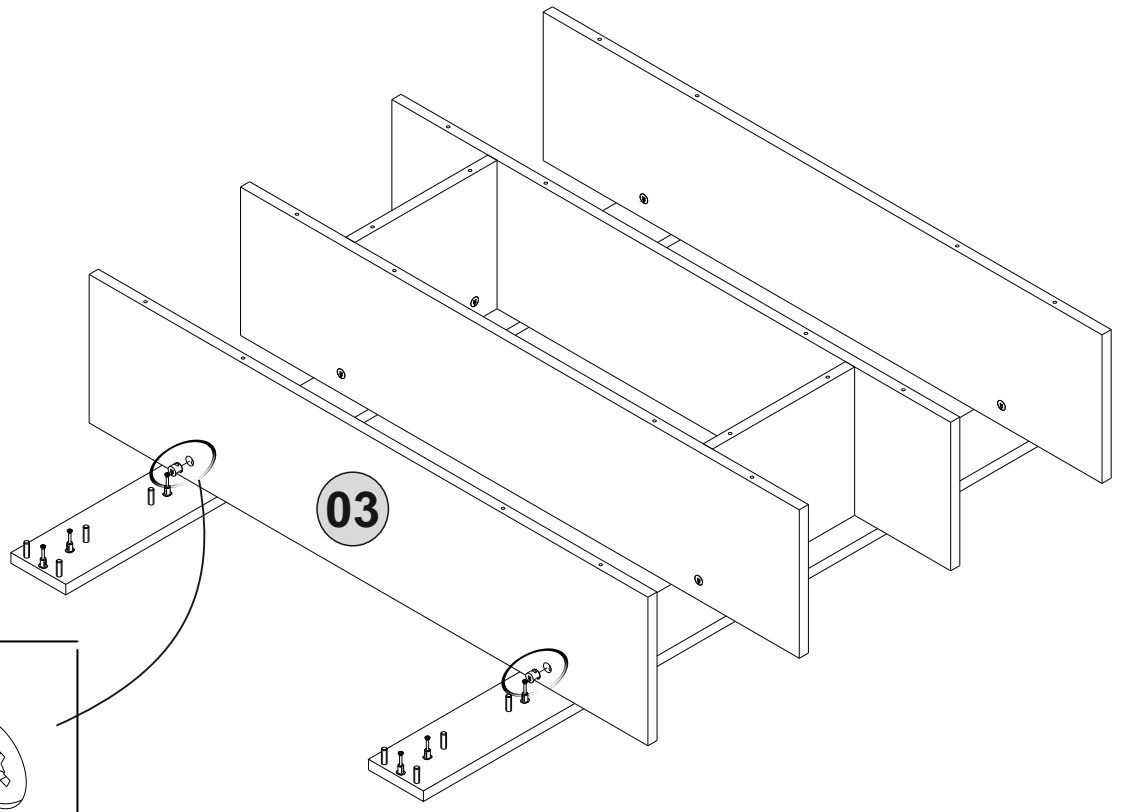
9^{step}



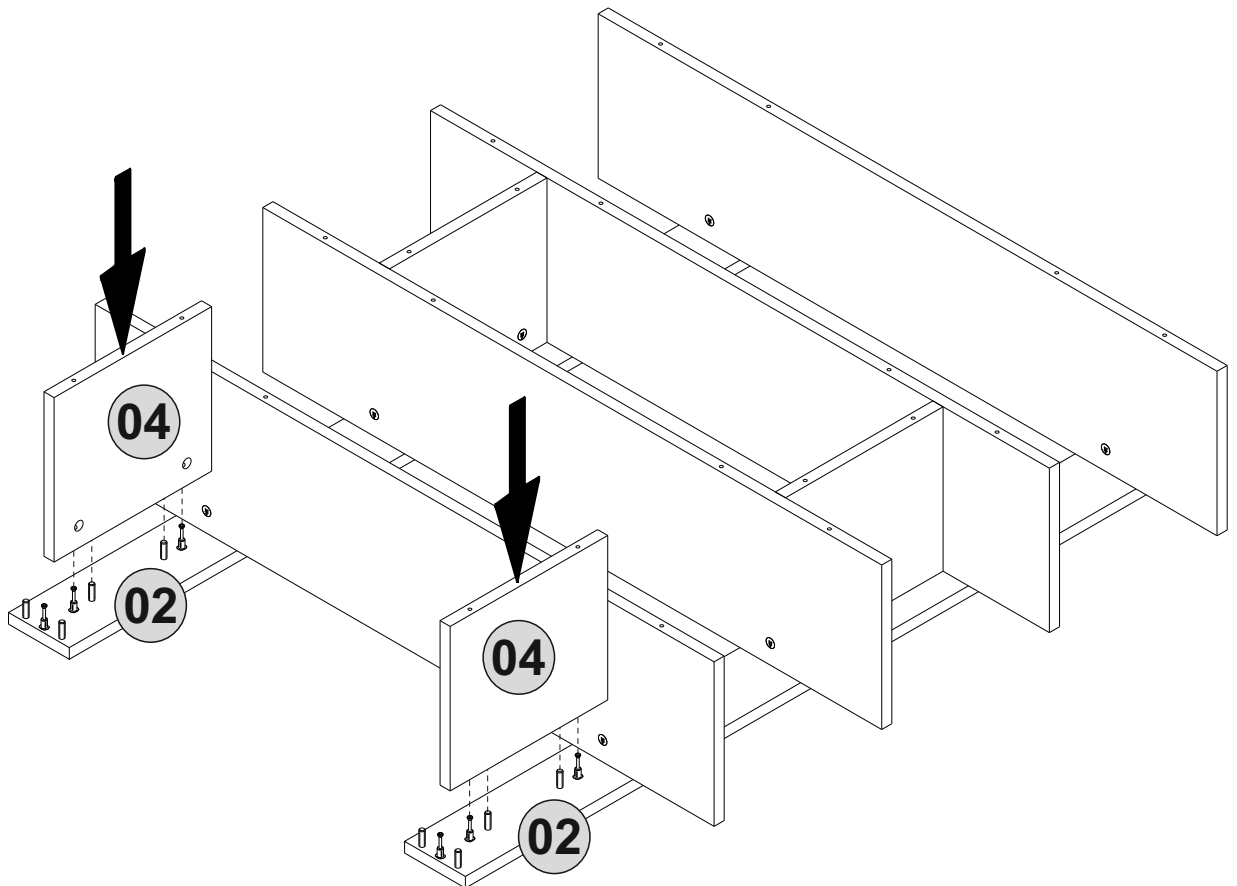
10^{step}



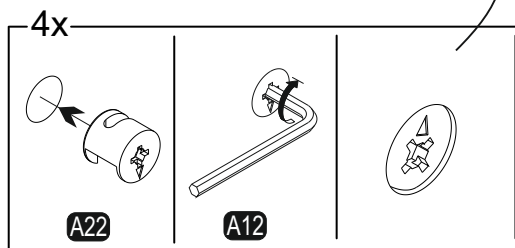
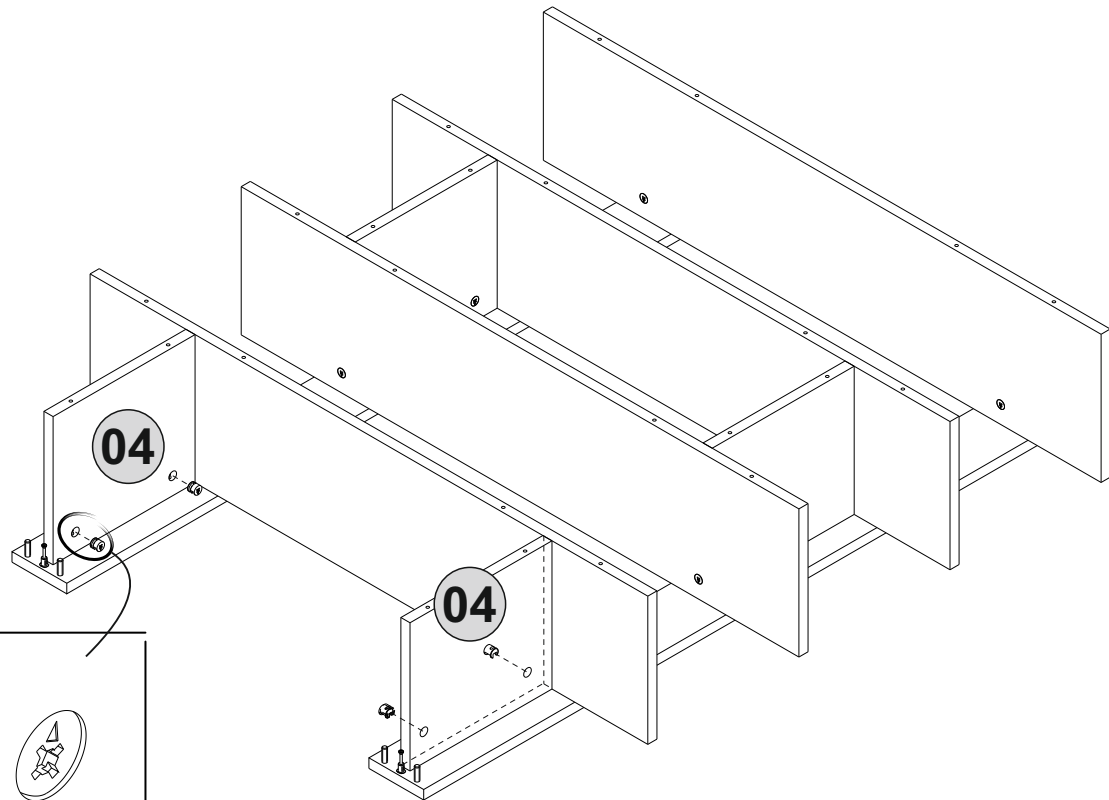
11.^{step}



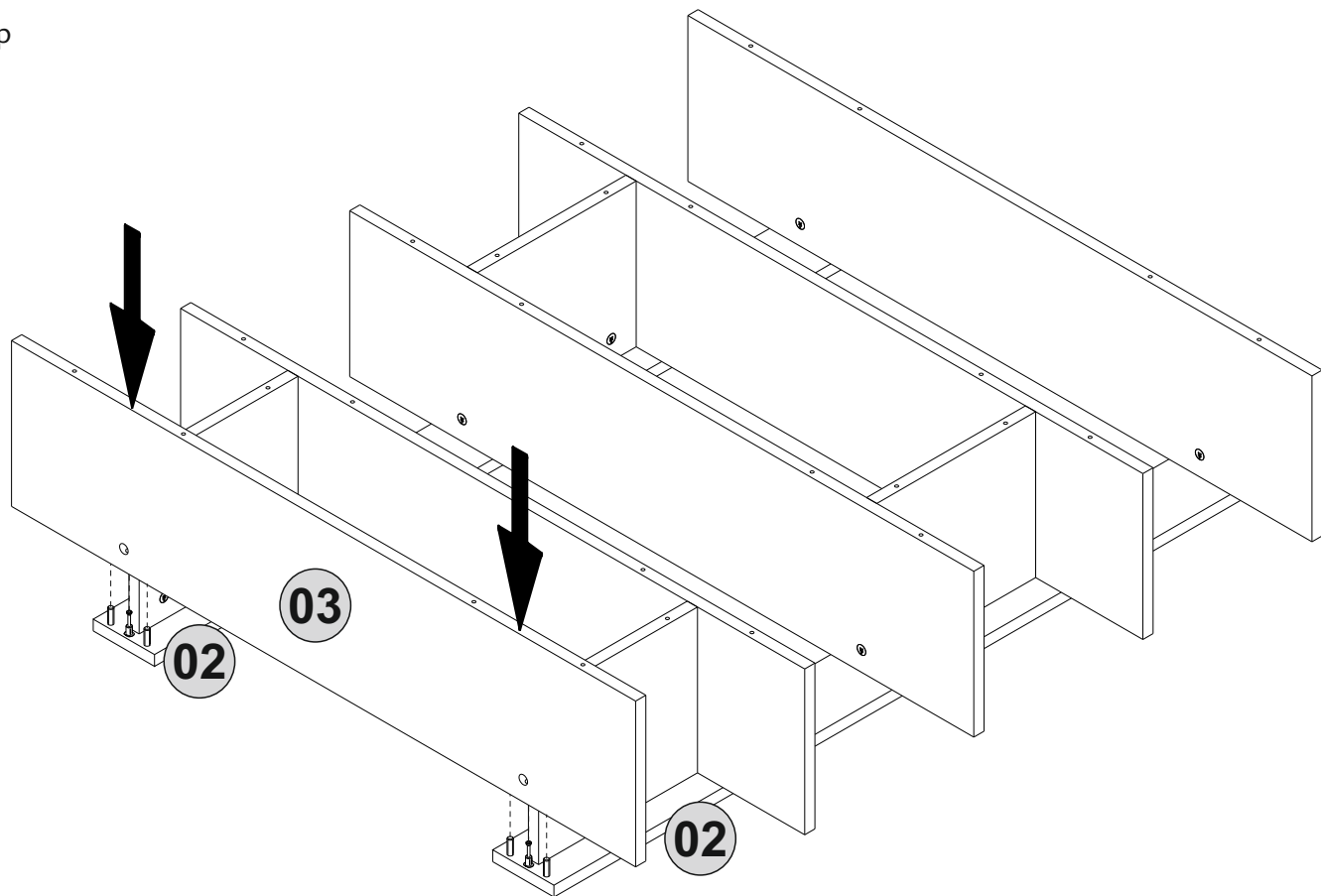
12.^{step}



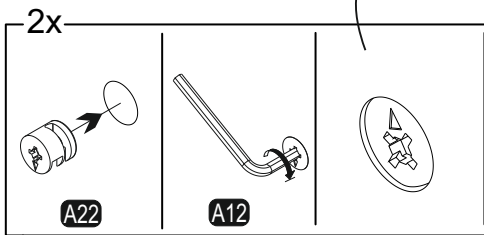
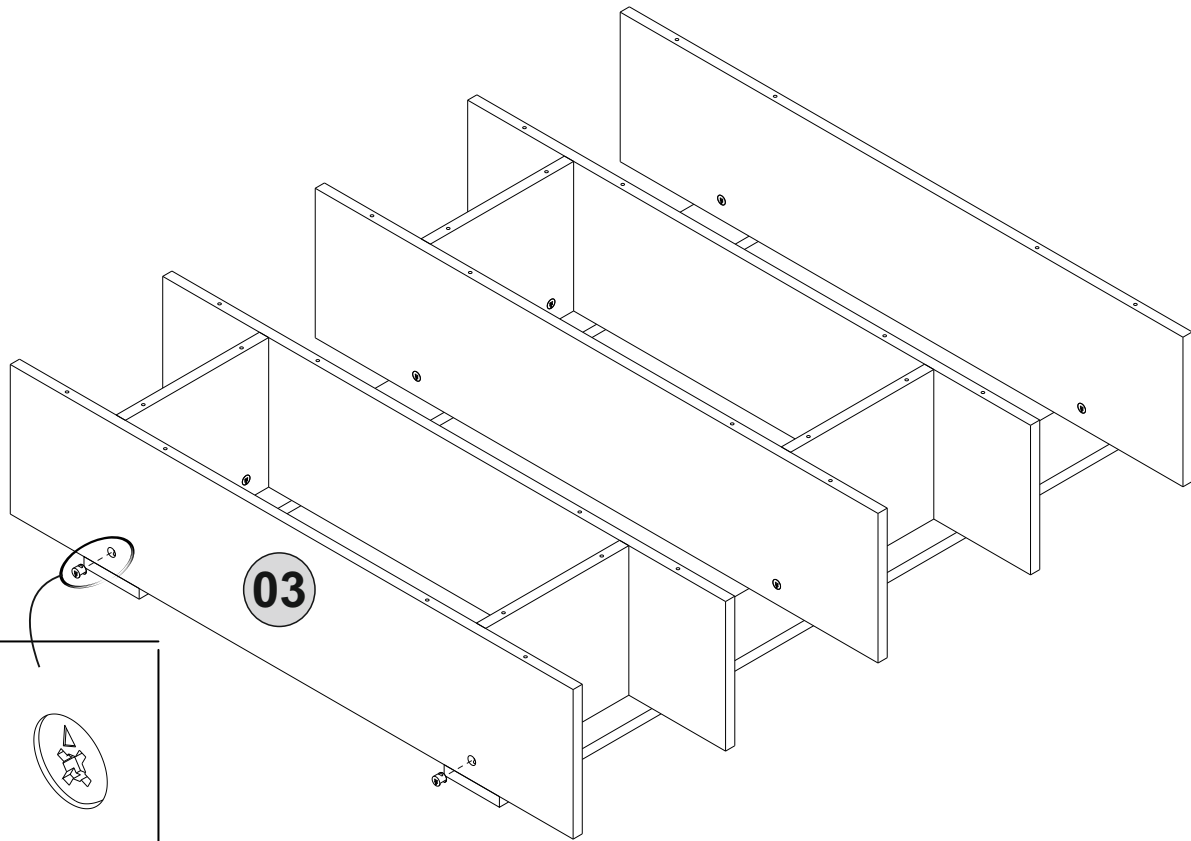
13.^{step}



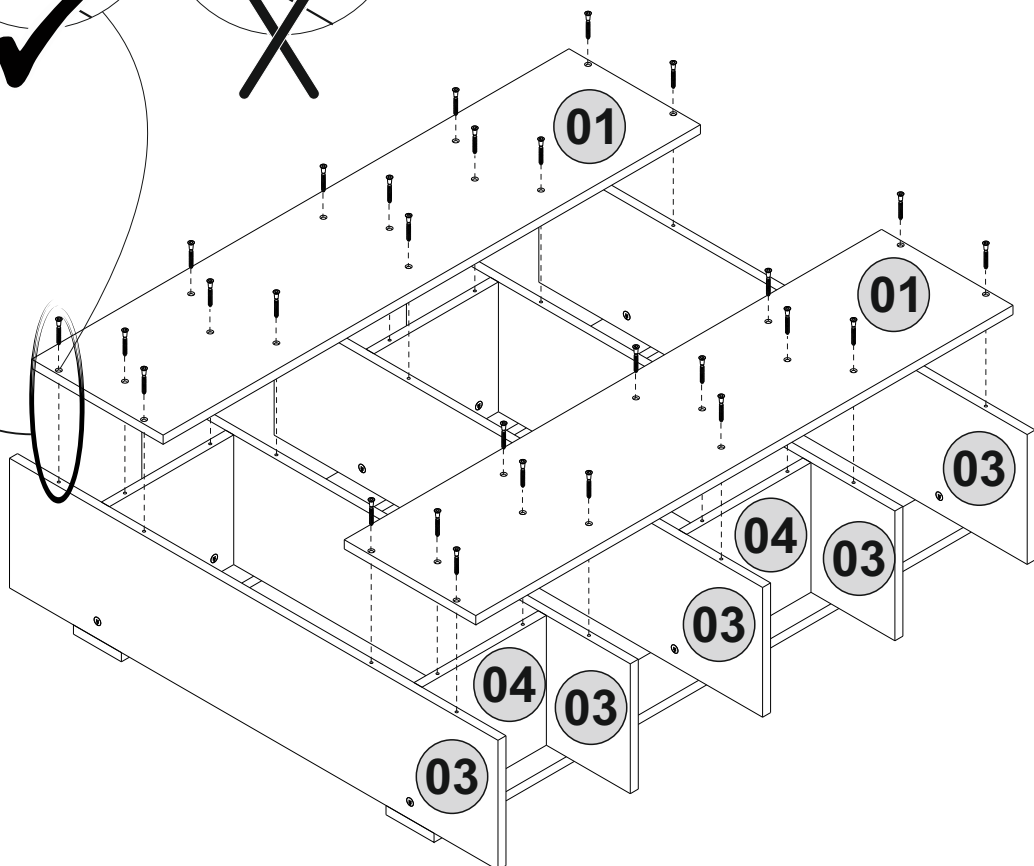
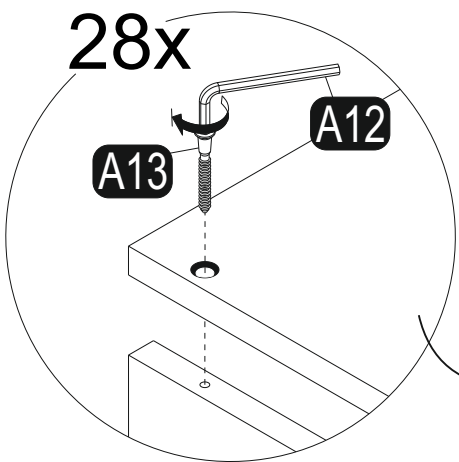
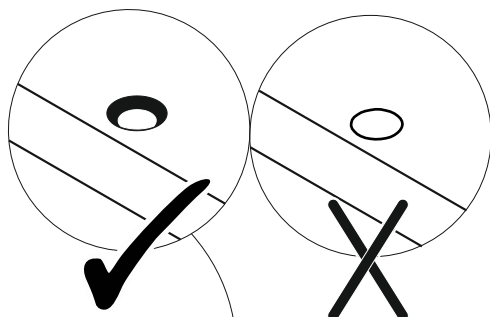
14.^{step}



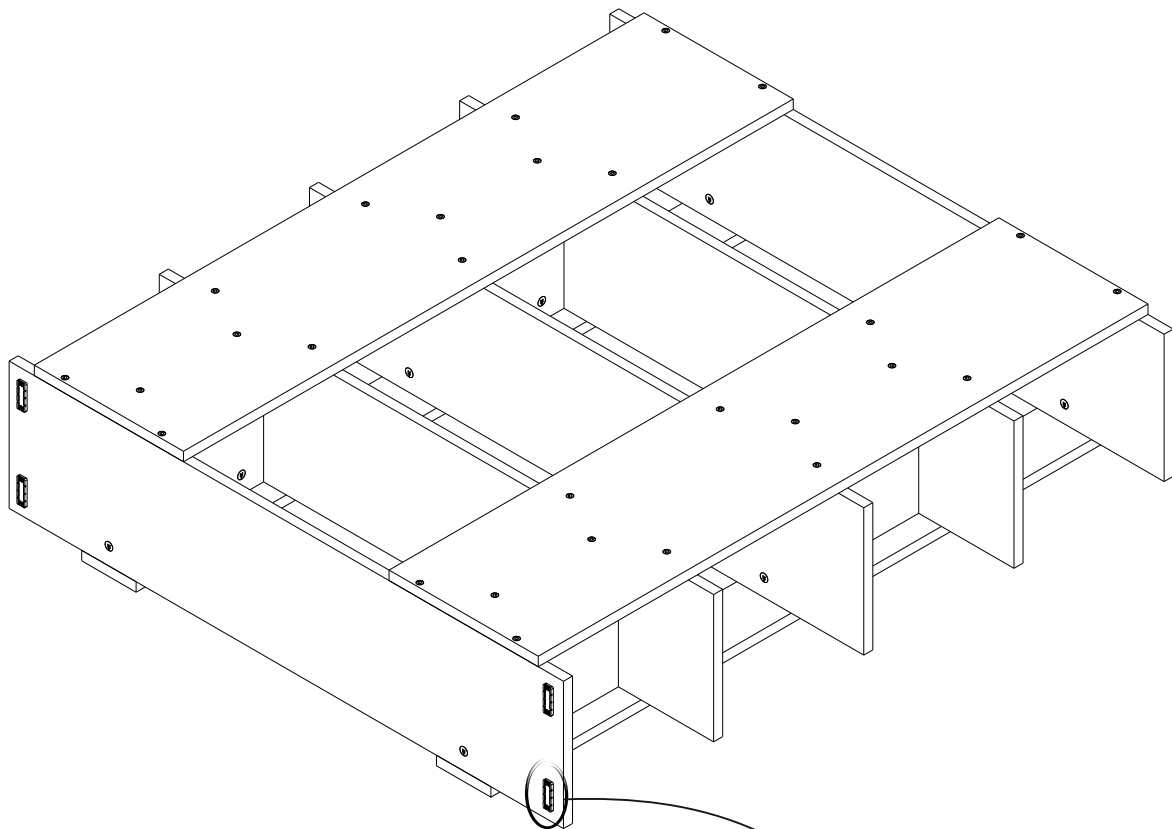
15.^{step}



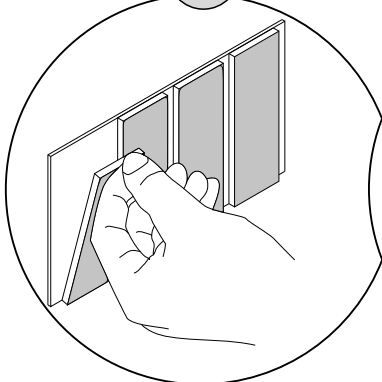
16.^{step}



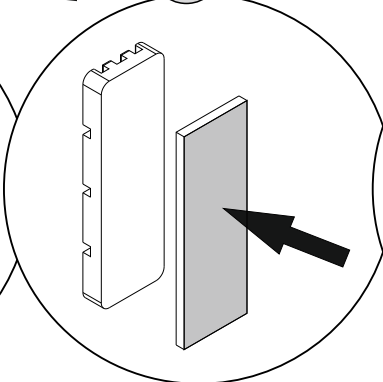
17. step



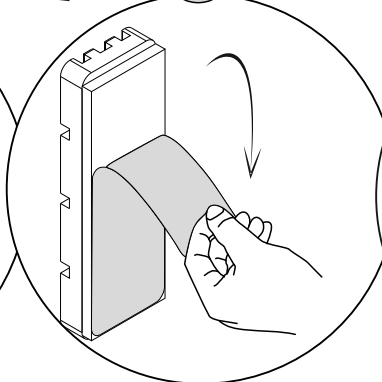
01



02



03



04

