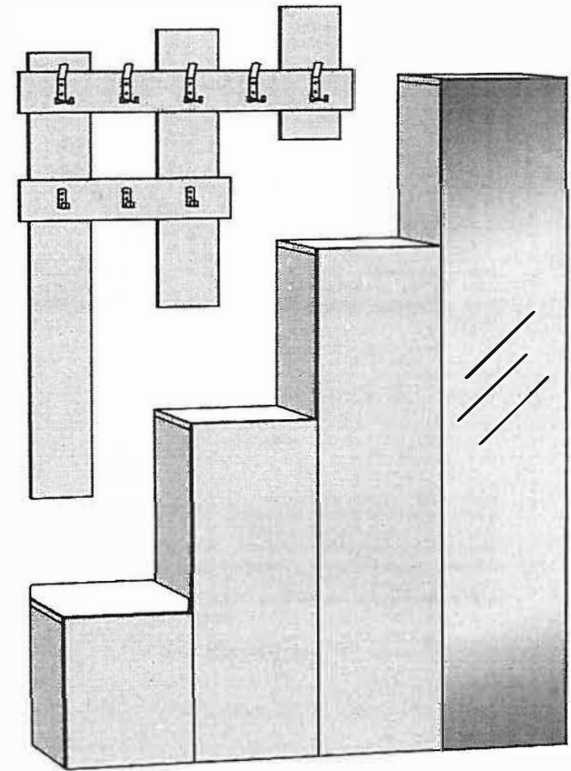


# UP

## Assembly Manual



---

HOMITIS

www.homitis.com

Dear Customer,

We design and produce our products for people to love and have fun with them as we do.  
The product you bought was subjected to all sorts of tests and control before sending out to you.



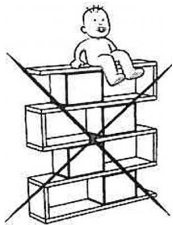
Before start assembling, please check the whole components and accessories according to the lists. If you bought more than one product, to prevent confusion be sure that you completed the first product. Then start the other product's assembling



Before start assembling, please clean all the components with a damp cloth. Also for usual cleaning, this will be enough.



Although all the products are produced and packed carefully, sometimes happen that some component is damaged during the transportation. In such a case please check the missing or damaged part and do not hesitate to contact us.

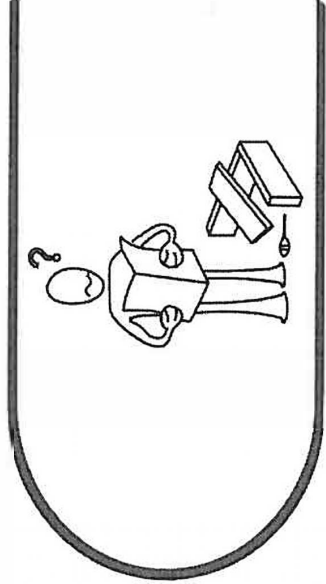
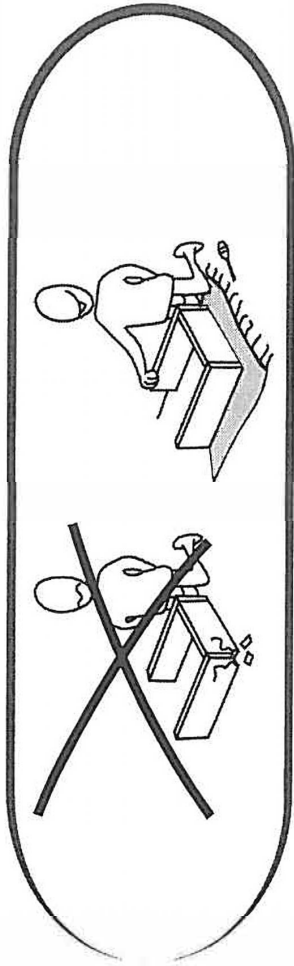
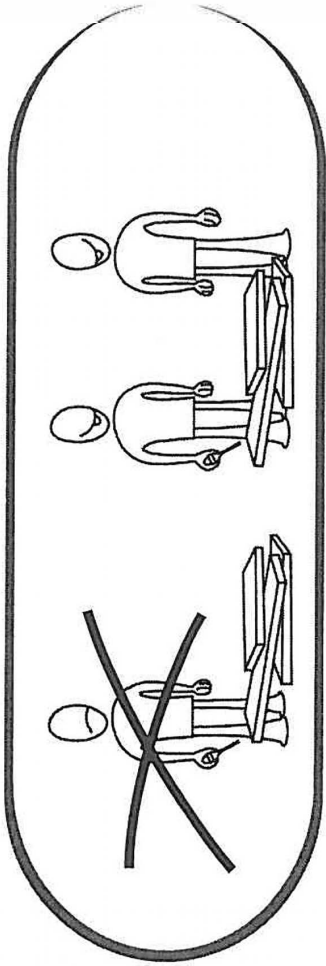
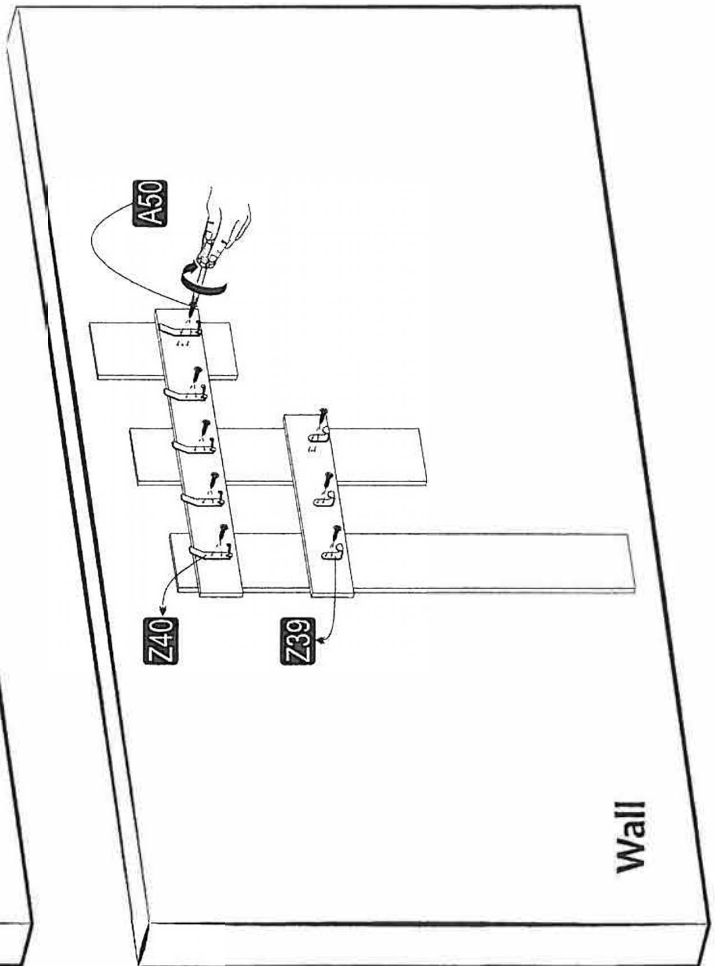
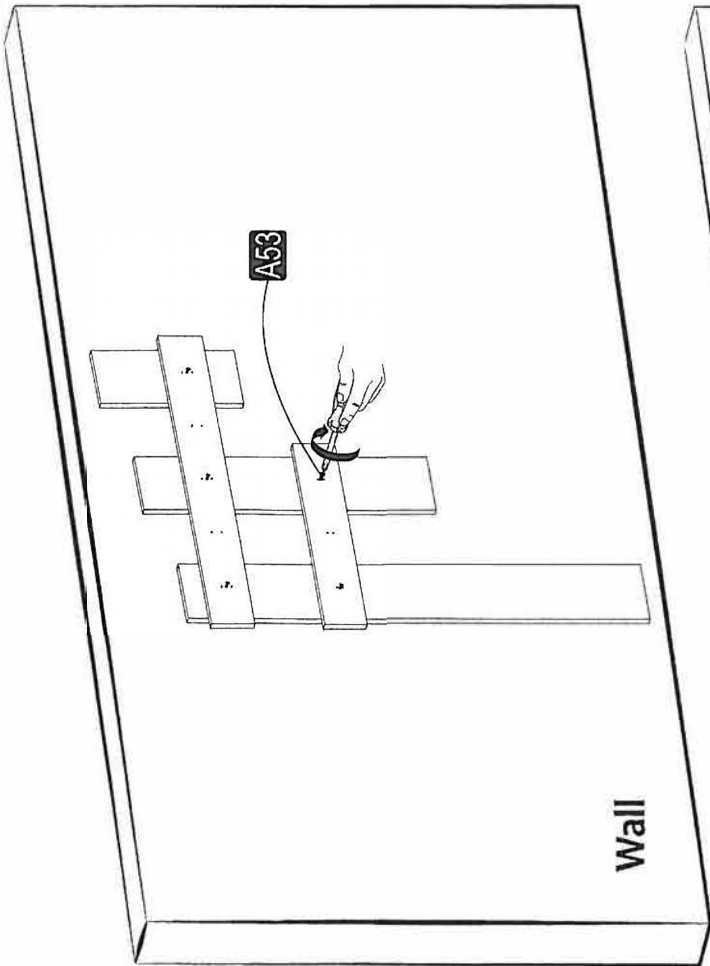


Do not use your furniture for out of purposes. If you would like to use it, please contact us for further questions.

Do not directly contact your furniture with excessive heat, cold and humidity because the product can be affected.

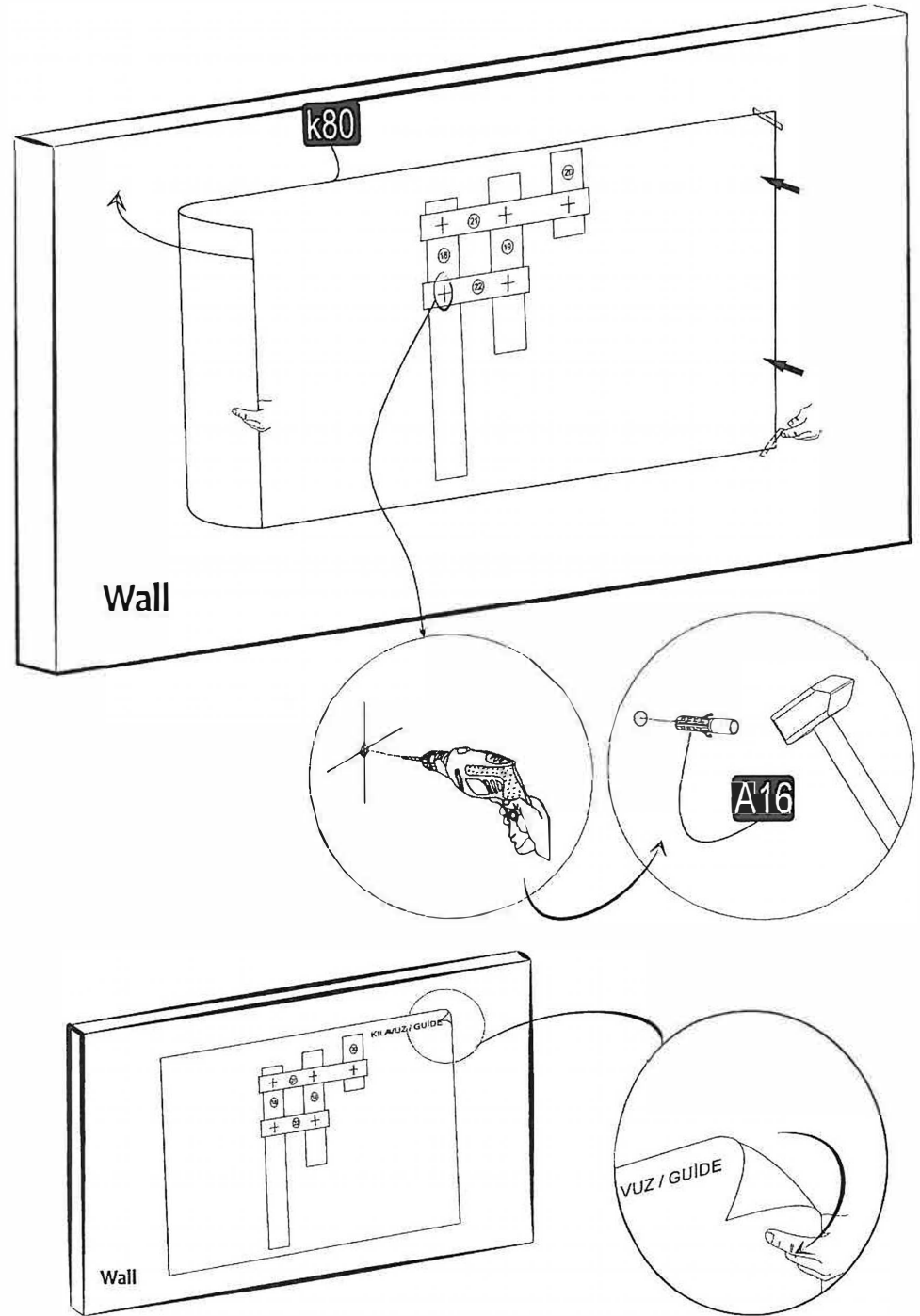
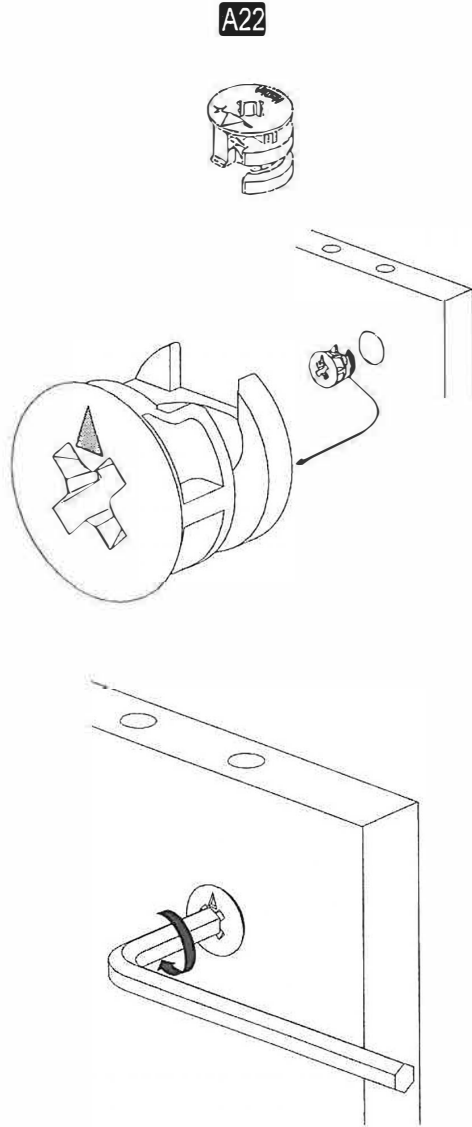
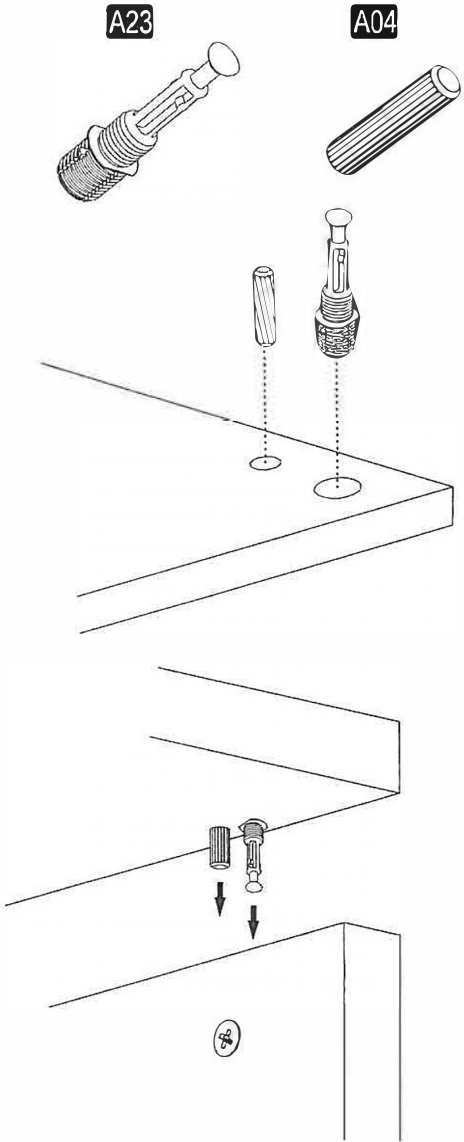


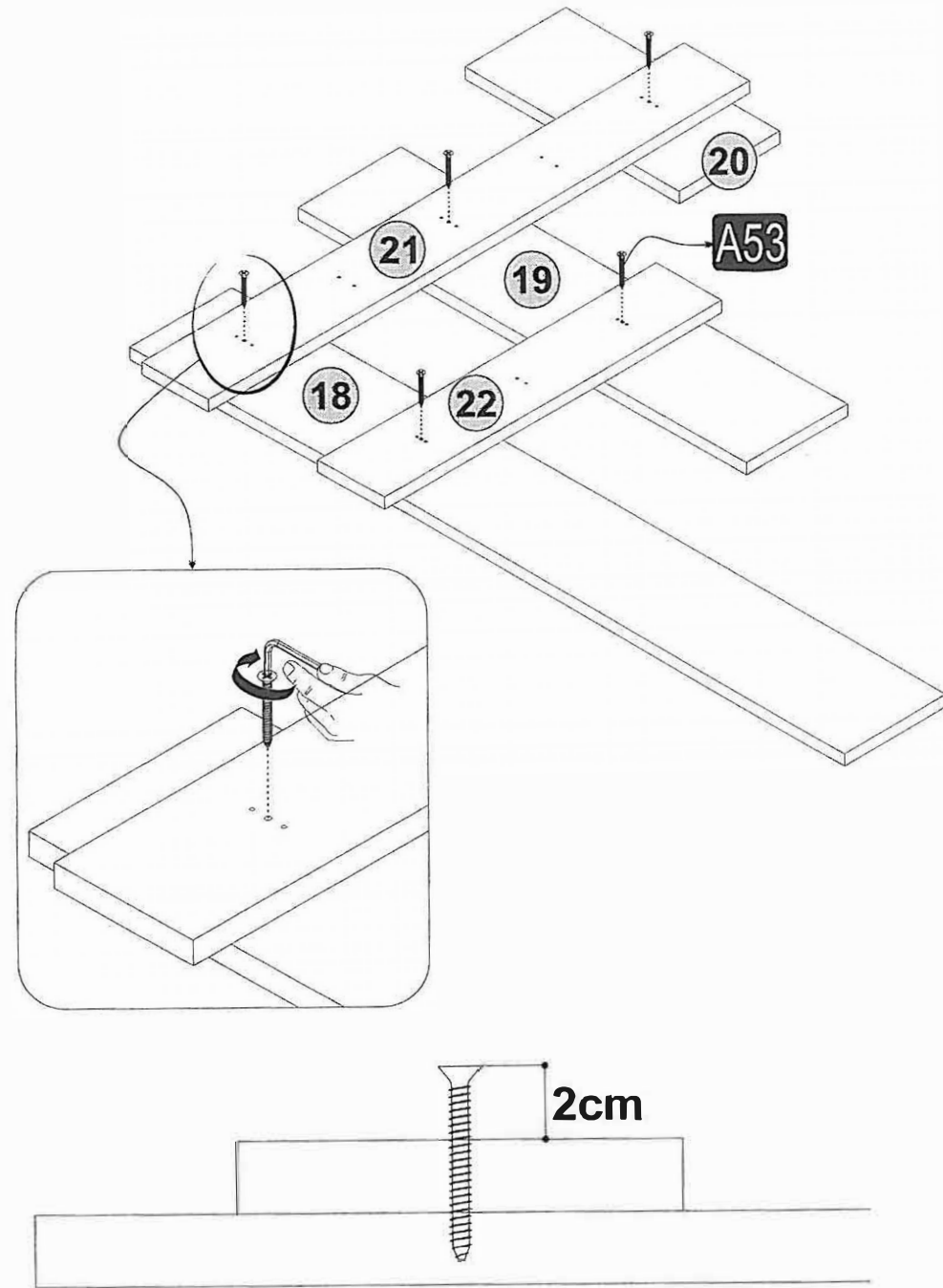
m,



# ATTENTION !!

Minifix is the main connection material used in Decortie products. Before starting assembly, please check the drawings below.





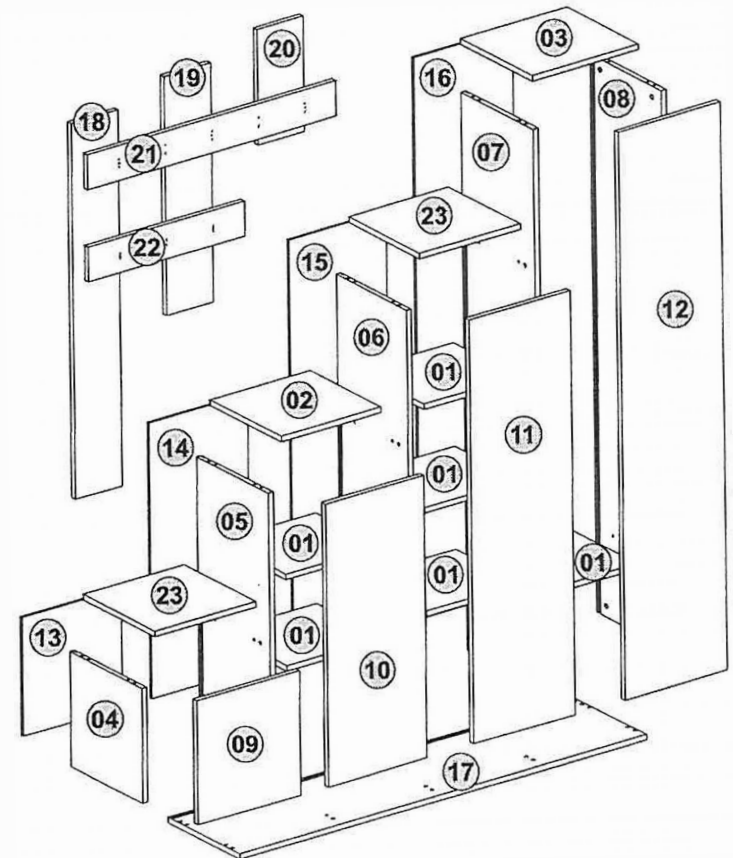
## ACCESSORY LIST

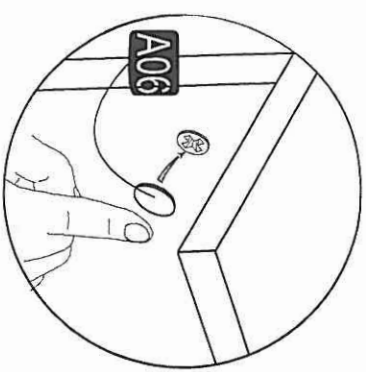
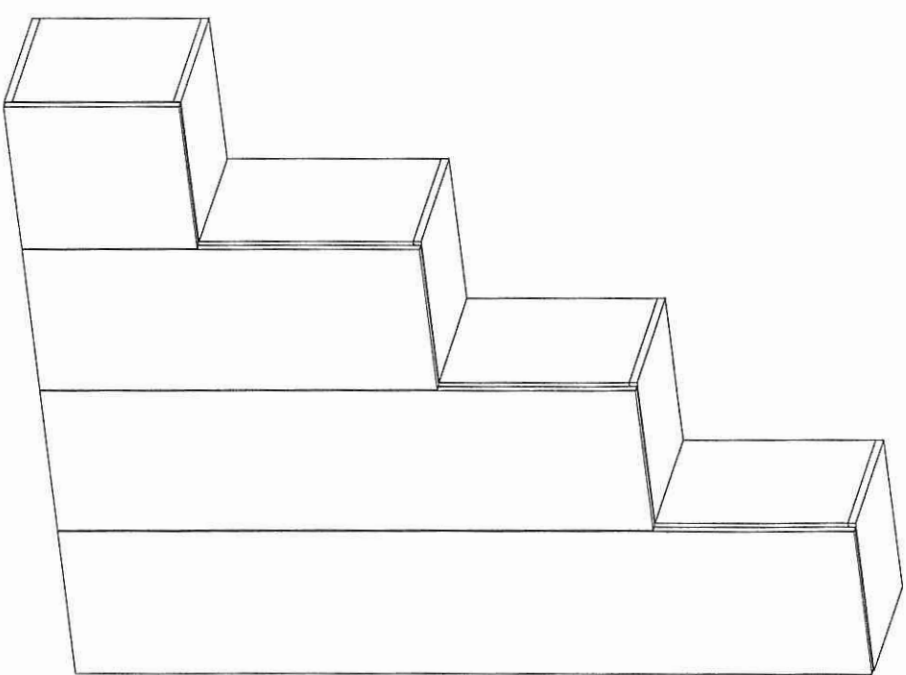
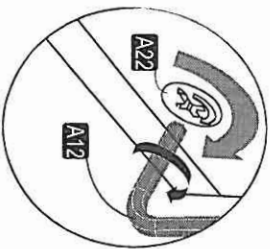
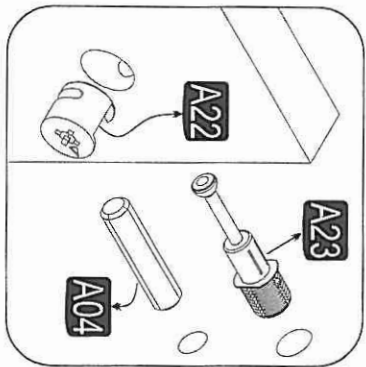
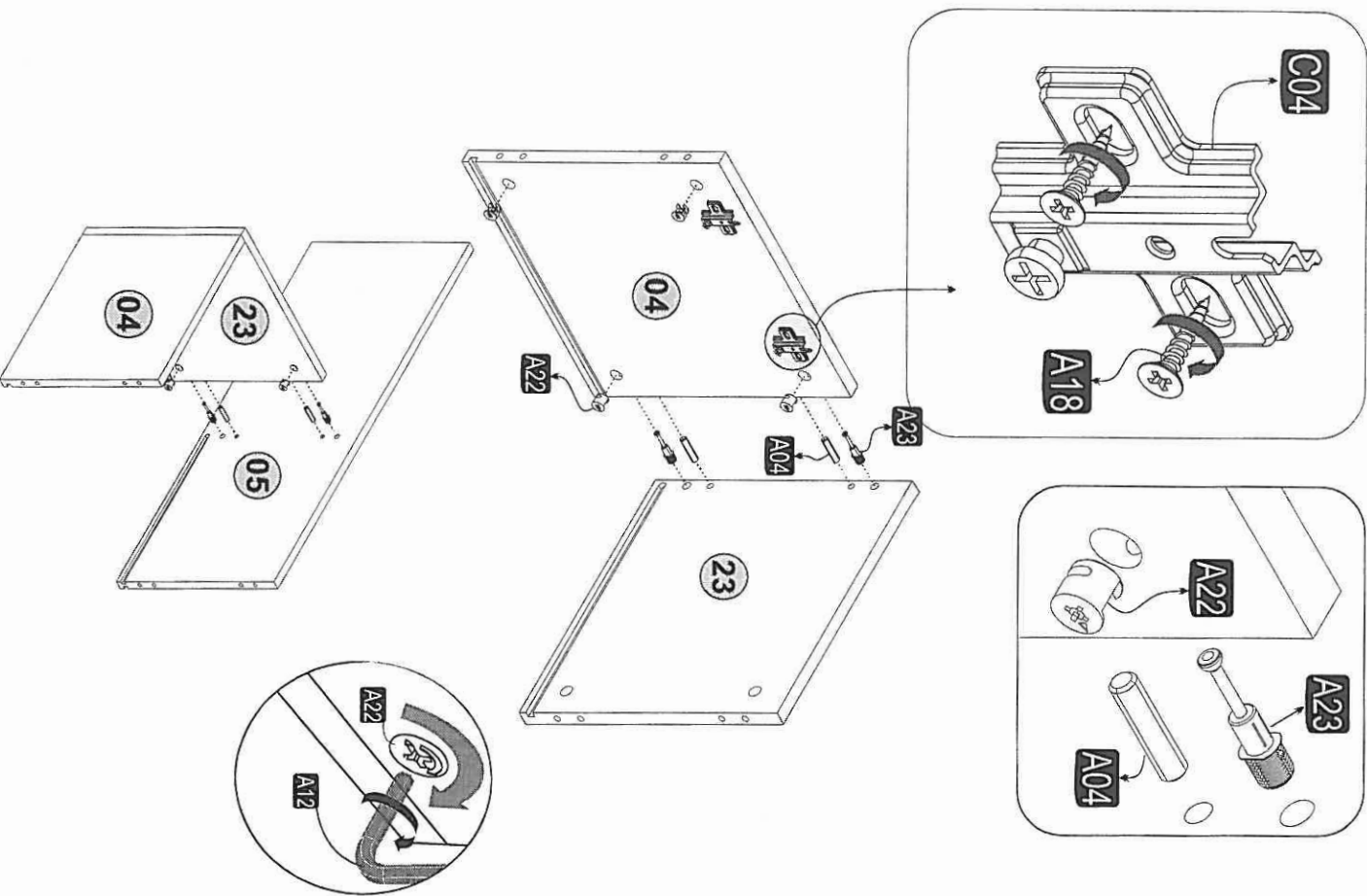
<b>A22</b> Minifix kt8 26x	<b>A23</b> Minifix M10 26x	<b>A04</b> Ø8 26x	<b>A12</b> 4 sw 1x	<b>A06</b> 18 mm 26x
<b>K80</b> 1612 1x	<b>C04</b> Ma 11x	<b>C01</b> D1 5x	<b>C03</b> Ydb1 6x	<b>A18</b> 3,5x18 44x
<b>A08</b> 5 mm 8x	<b>A48</b> R2,5 24x	<b>Z40</b> 20X3 5x	<b>Z39</b> 20X30X45 7x	<b>A50</b> 3,5x16 (Black) 24x
<b>A16</b> Ø8 5x	<b>A53</b> 4x70 5x			

This module should be assembled by two people

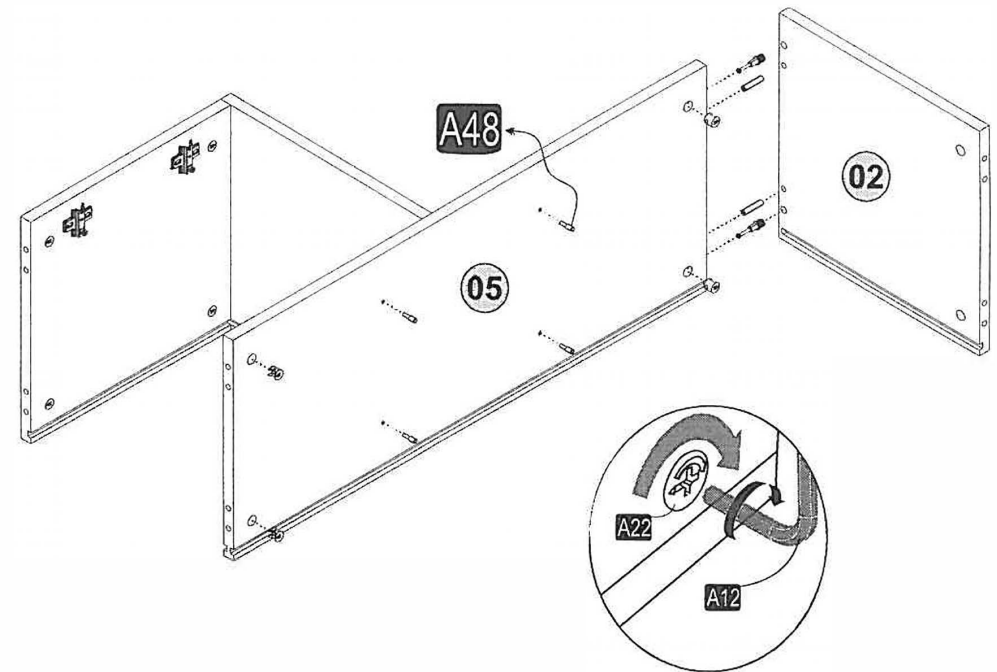
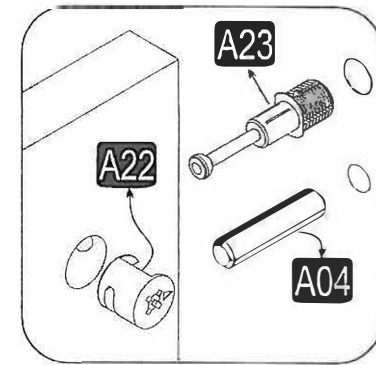
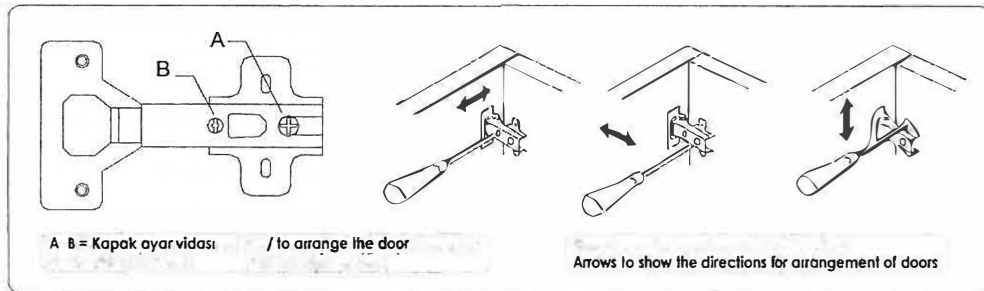
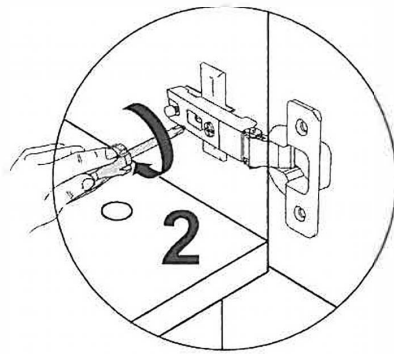
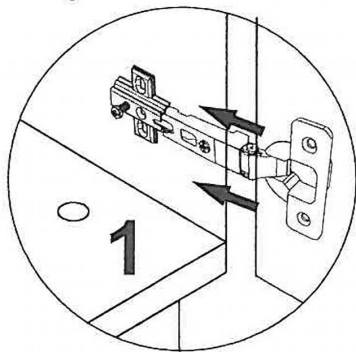
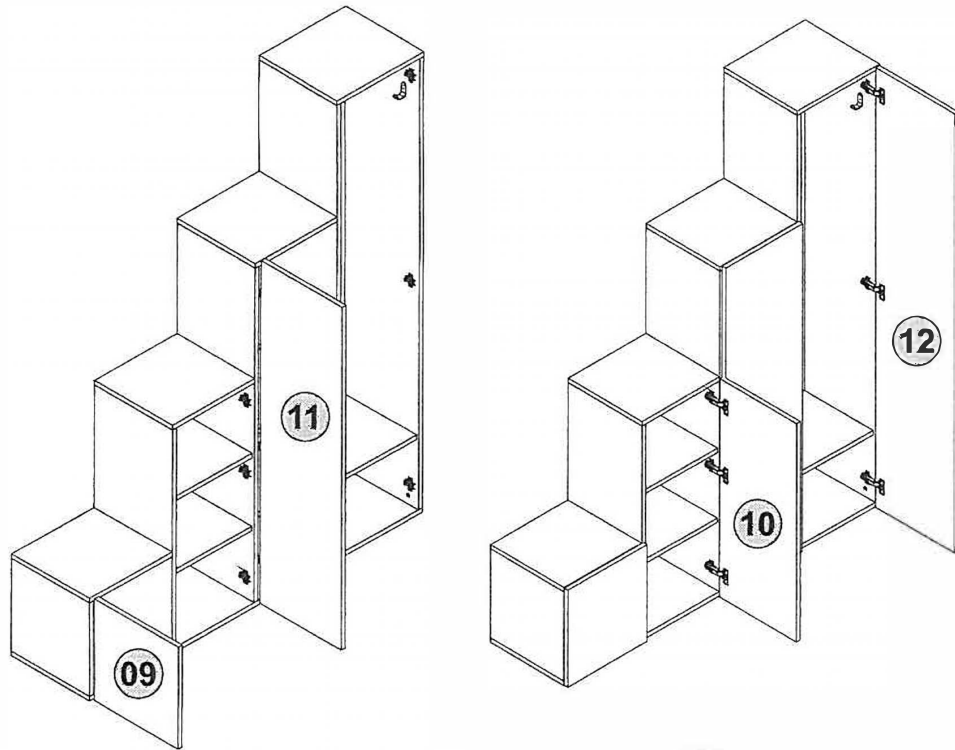


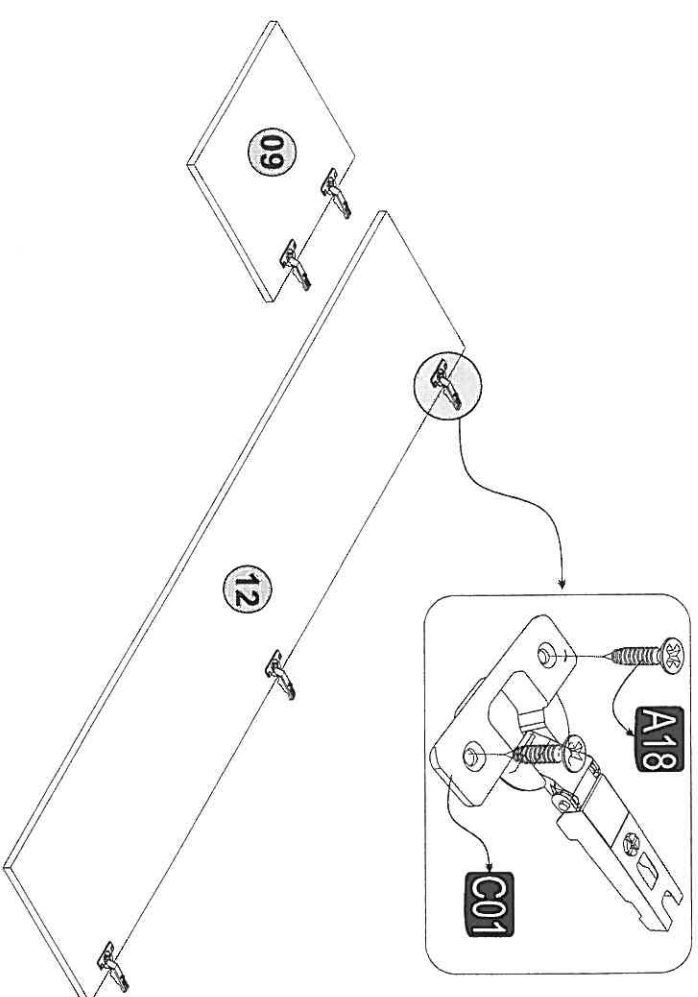
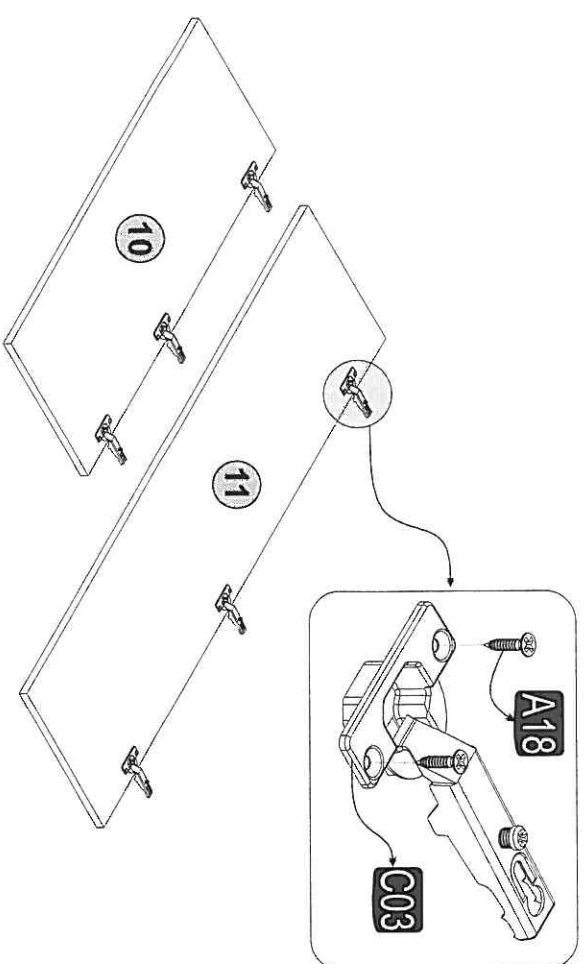
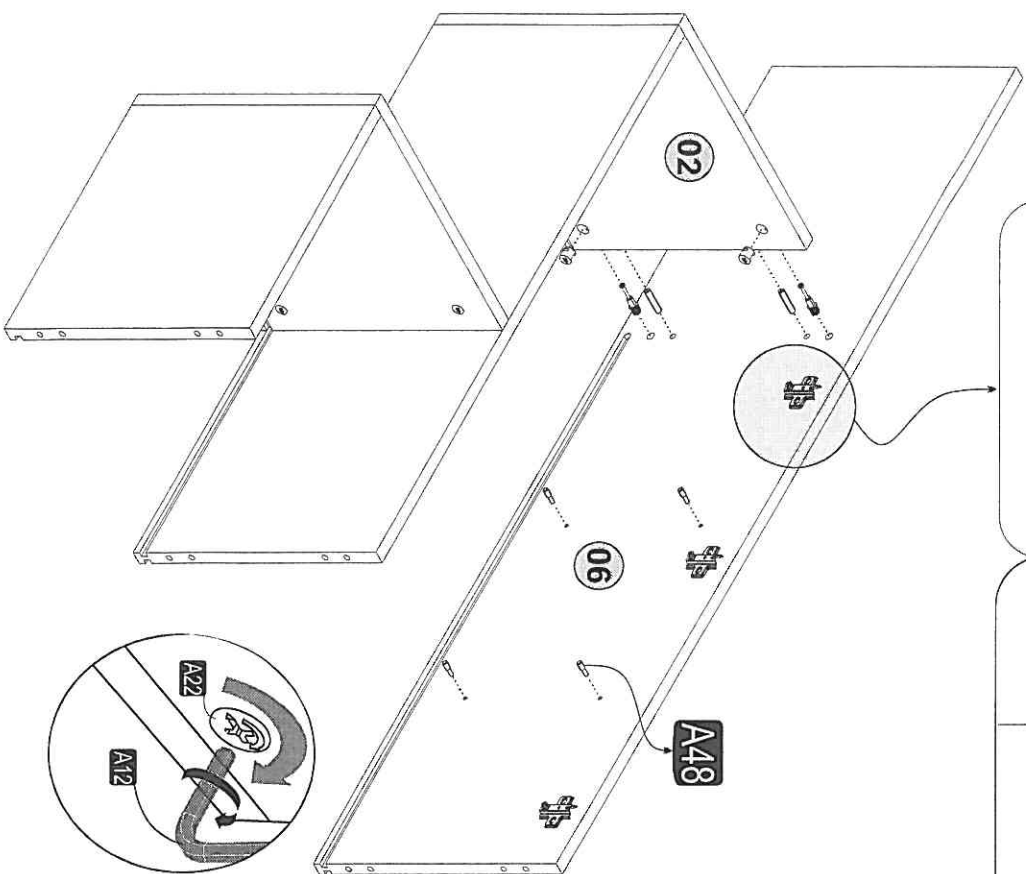
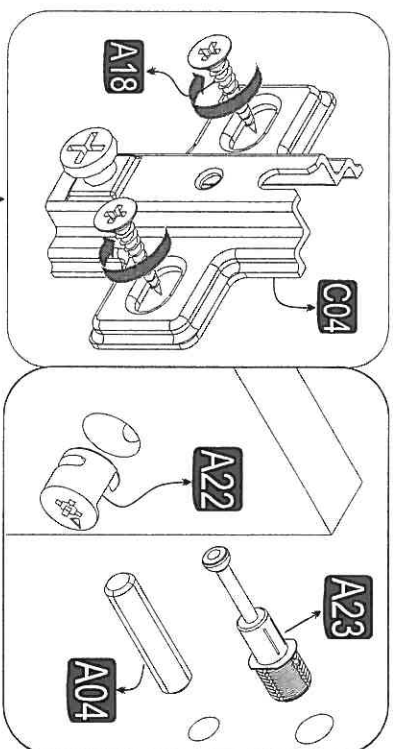
## GENERAL VIEW



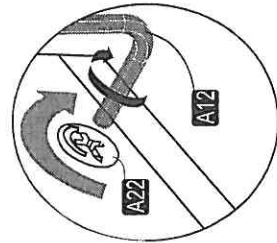
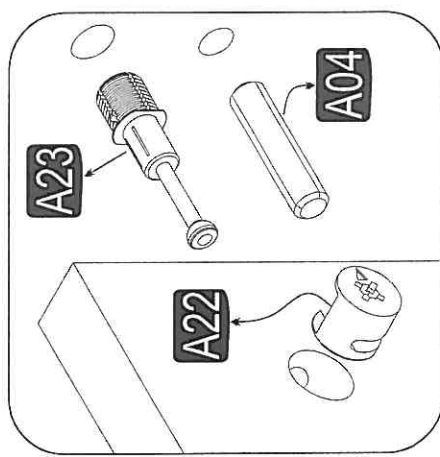
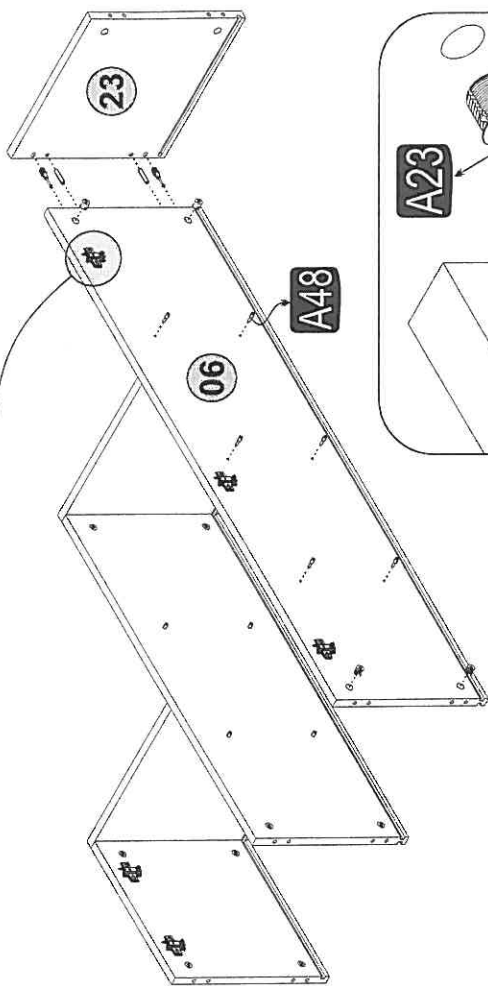
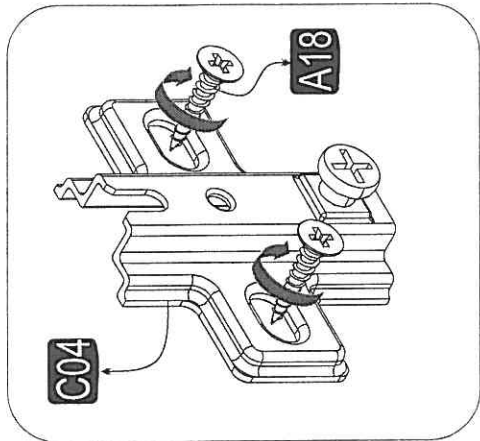
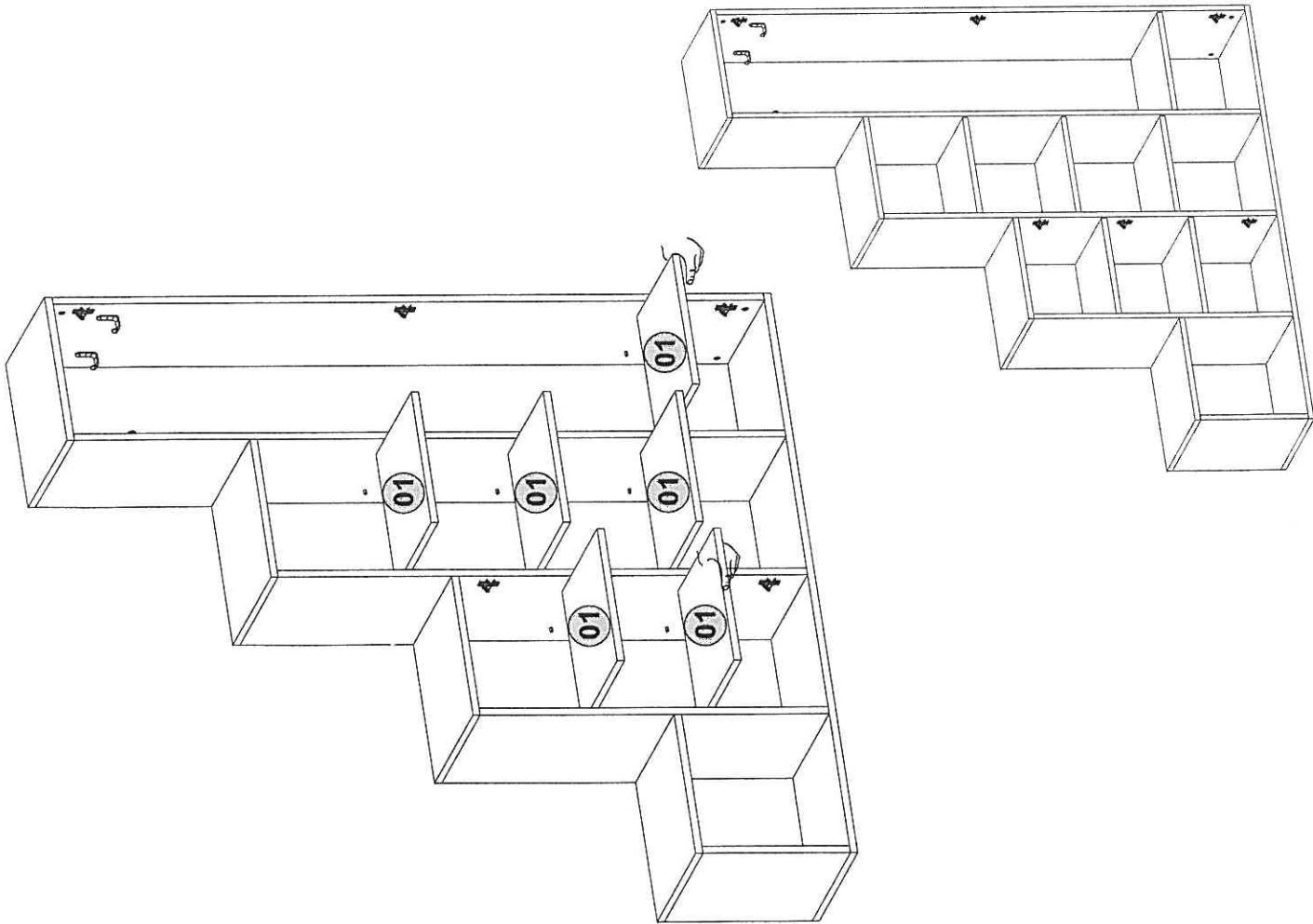


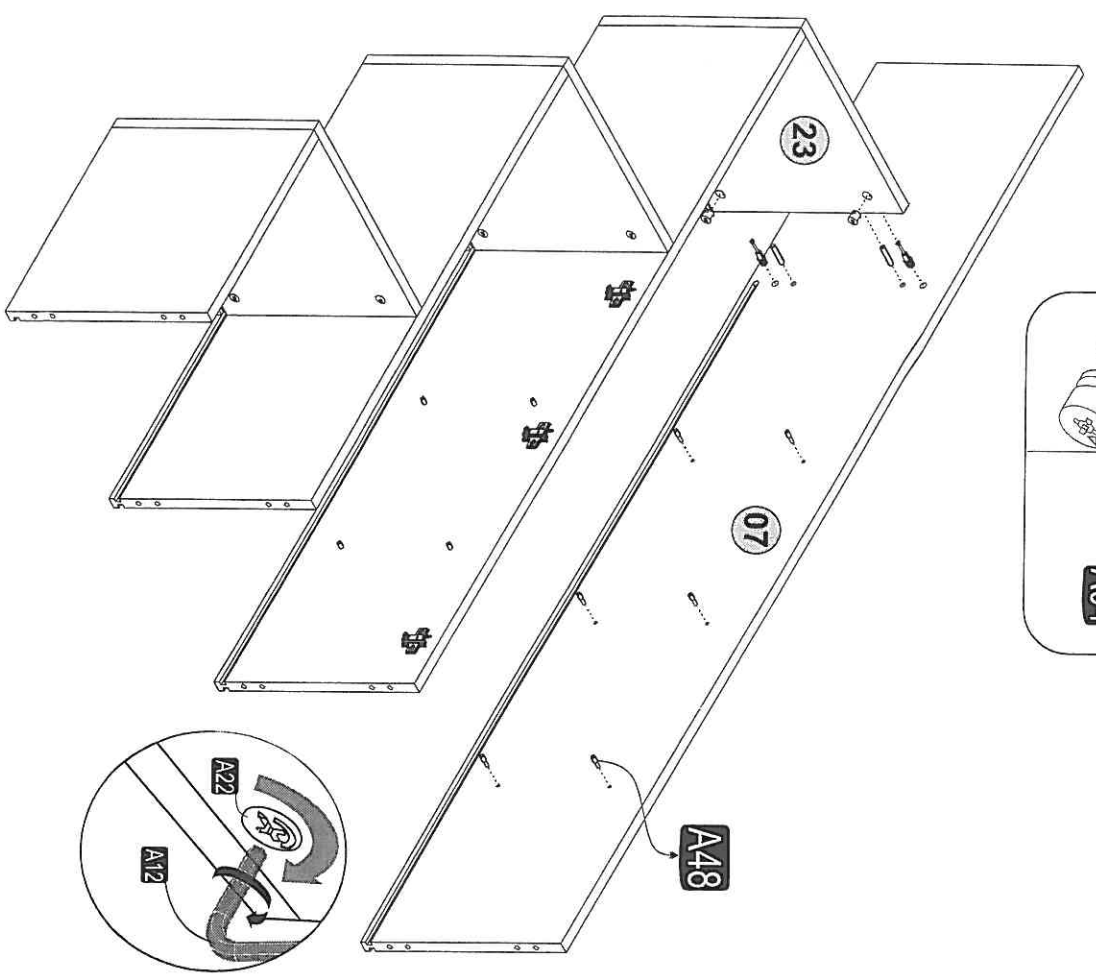
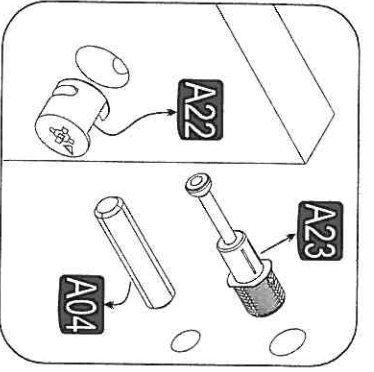
# MODULE - 1



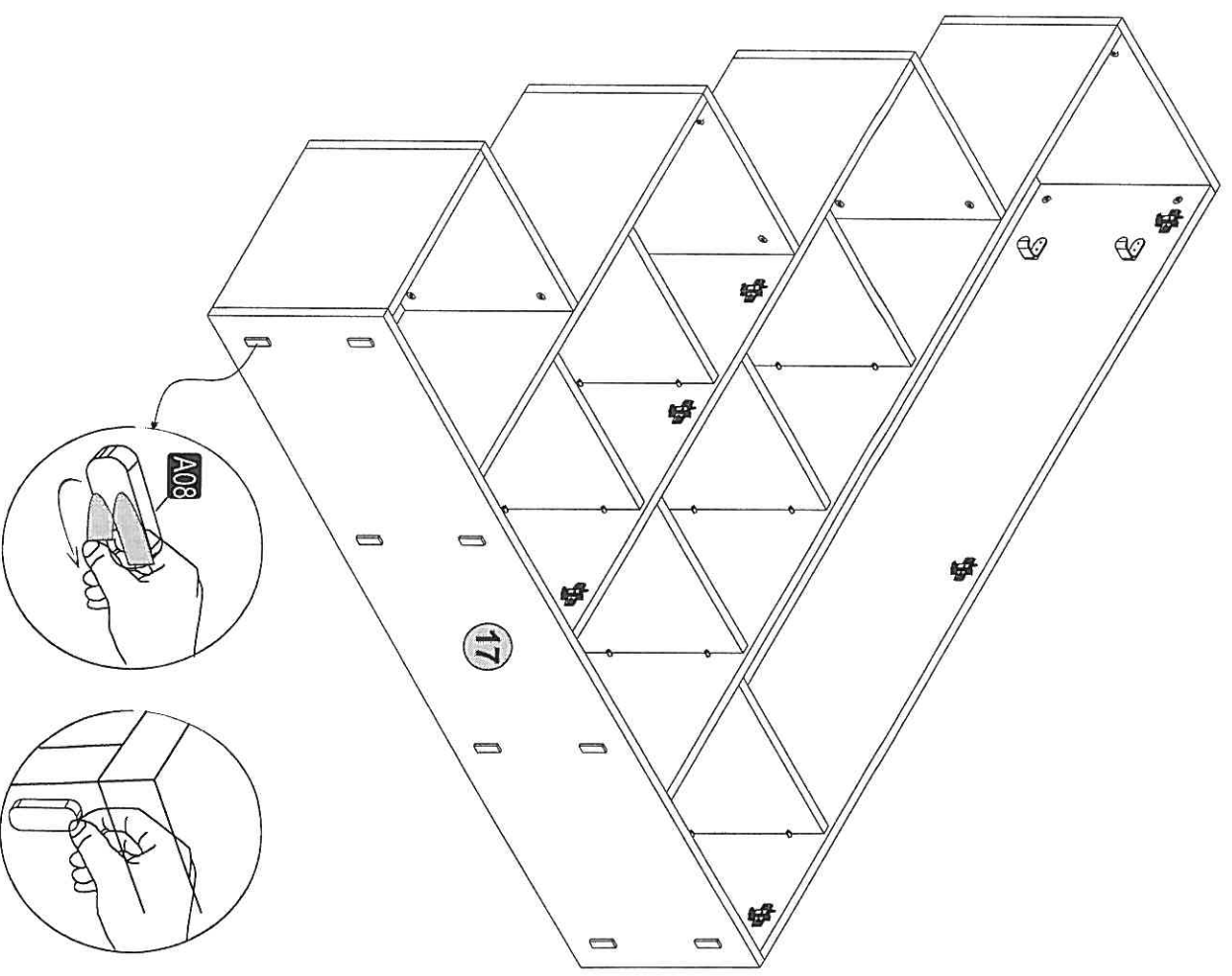








9



14

