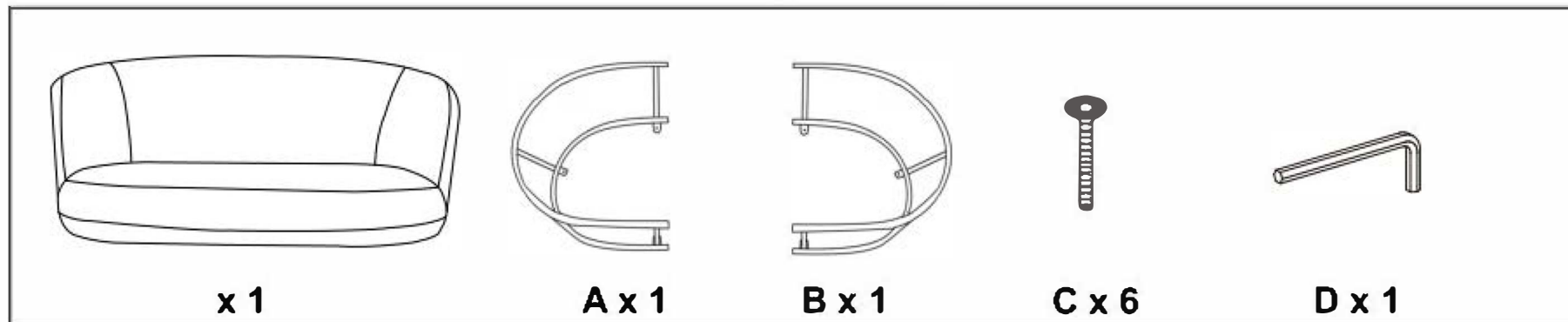
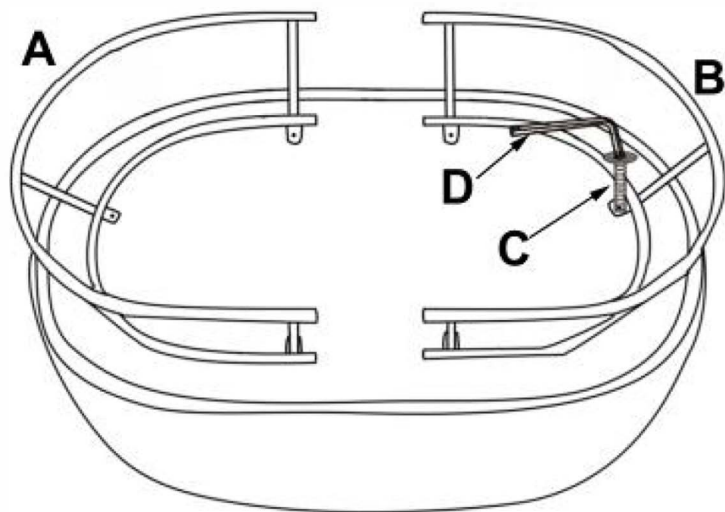


110-000048

### Assembly drawing



#### Step 1.



#### Finished

