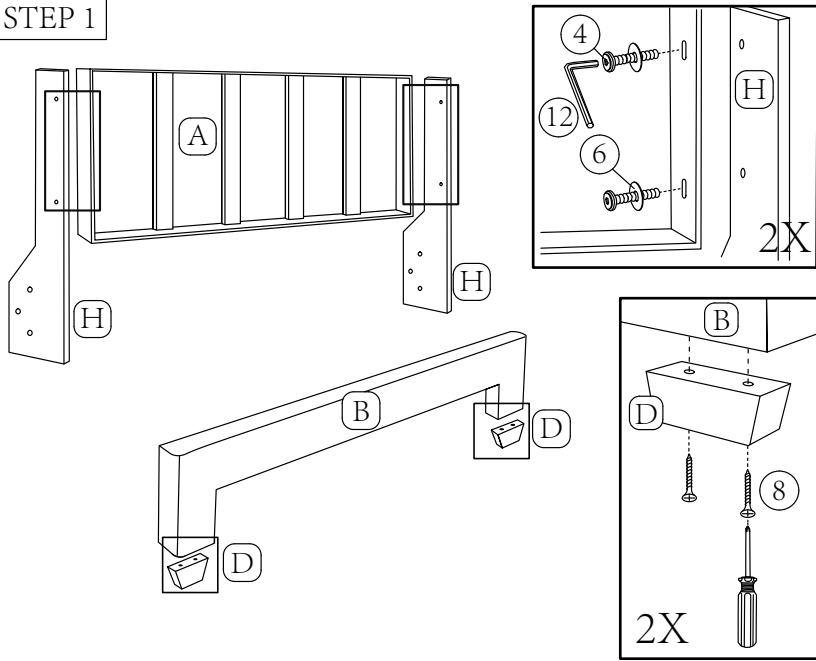
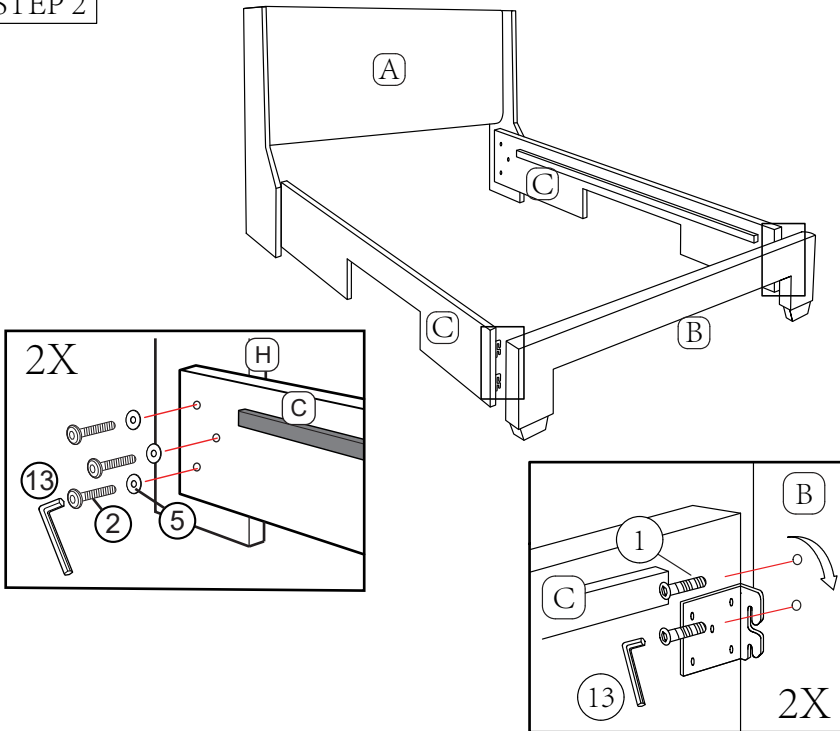


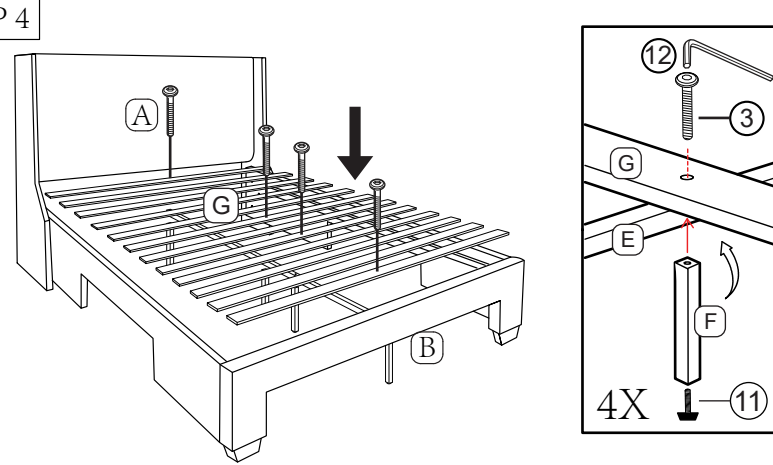
STEP 1



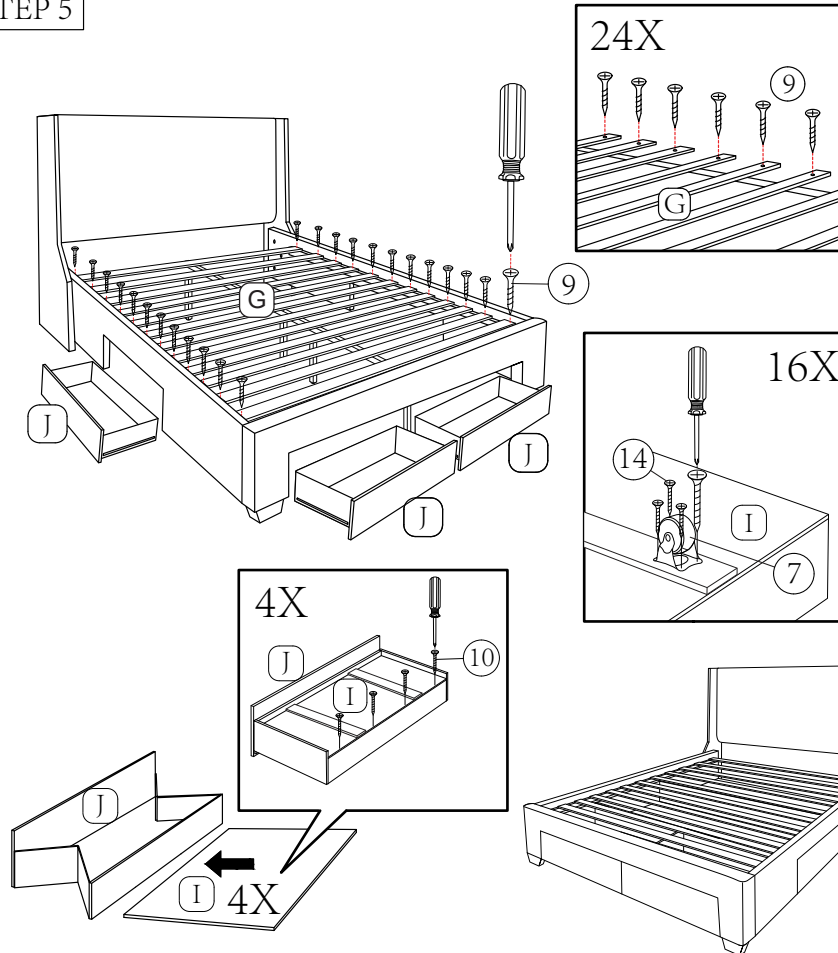
STEP 2



STEP 4



STEP 5



NO	PART LIST	QTY
A	Headboard	1 pc
B	Footboard	1 pc
C	Side Rail	2 pcs
D	Bed Leg	2 pcs
E	Center Rail	1 pc
F	Center Rail Support Leg	4 pcs
G	Bed Slat	12 pcs
H	Wing	2 pcs
I	Bottom Board	4 pcs
J	Drawer	4 pcs

No	Hardware List	QTY
1	JCBB M8 x 20mm	8 pcs
2	JCBB M8 x 60mm	6 pcs
3	JCBC M6 x 60mm	4 pcs
4	JCBC M6 x 40mm	4 pcs
5	Flat Washer M8	6 pcs
6	Flat Washer M6	4 pcs
7	Crystal Roller	16 pcs
8	CSK M4 x 38MM	4 pcs
9	CSK M4 x 32MM	24 pcs
10	CSK M4 x 20MM	16 pcs
11	Adjuster M6	4 pcs
12	Allen Key M4	1 pc
13	Allen Key M5	1 pc
14	CSK M4 x 16MM	64 pcs

Read this instruction carefully. Remove all wrapping material, staples and straps from the carton. See hardware and furniture part list for guidance. Be sure you have all wooden furniture parts on a clean and flat soft surface, such as a carpet or rug, to prevent from being scratched.

CAUTION :
 1. Do not FULLY - TIGHTEN the nut or screw until all is ready to assemble.
 2. Do not OVER - TIGHTEN the nut or screw to avoid causing damages to the thread.
 3. Keep all hardware part out reach of children.



COMPLETED ASSEMBLY