






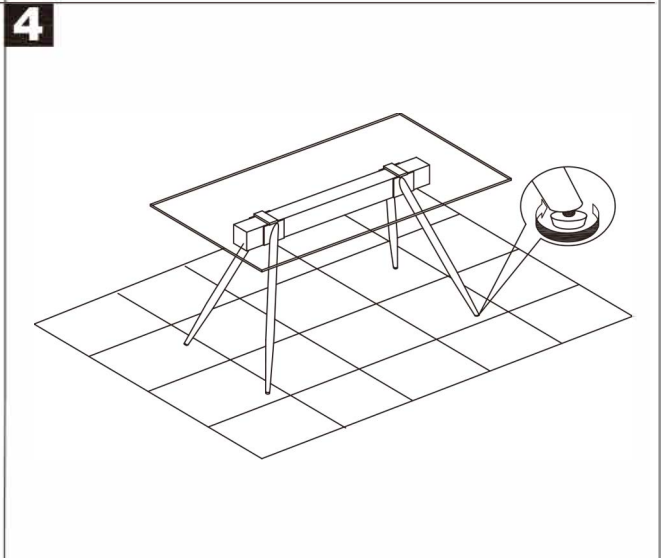
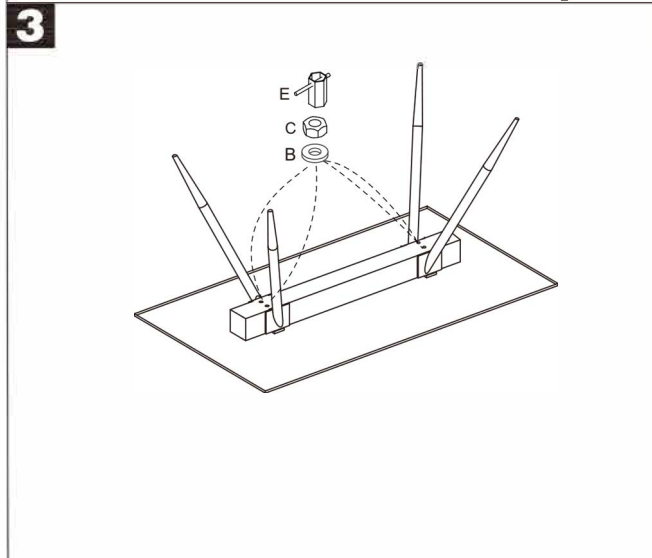
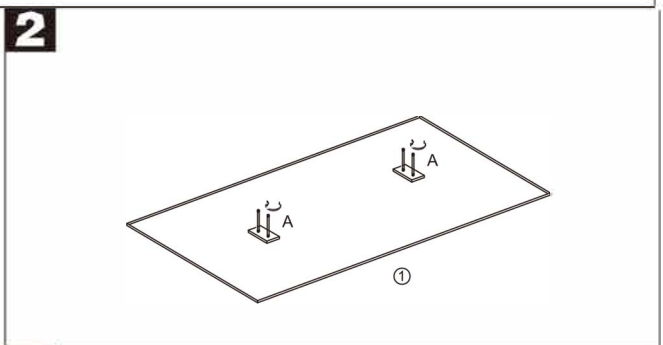
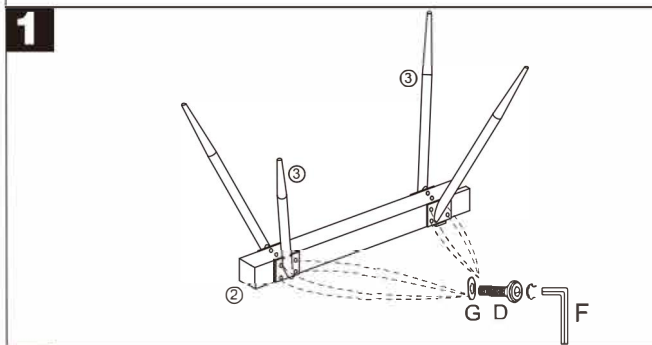
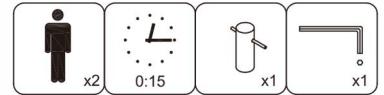
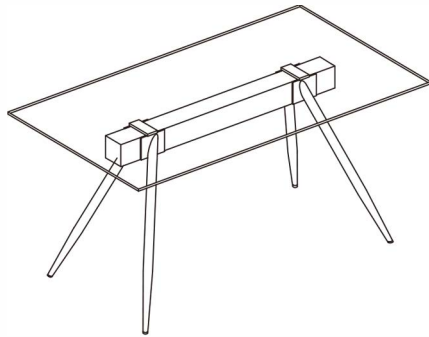
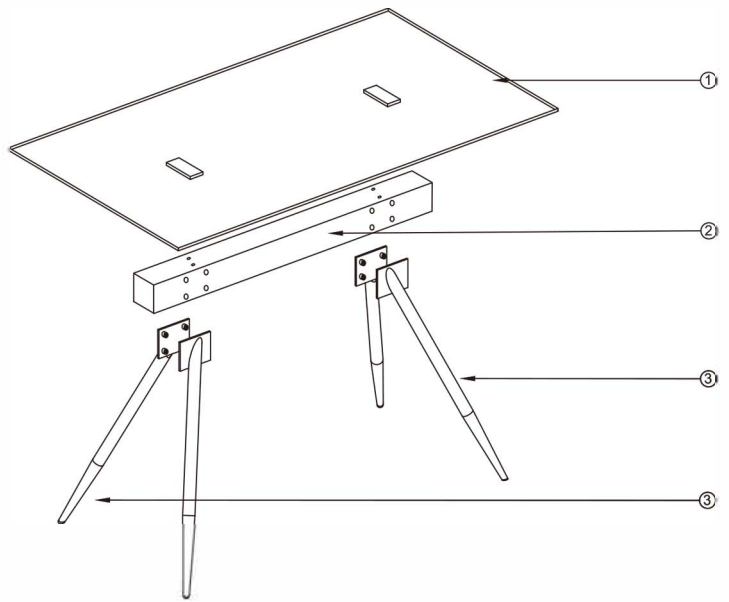
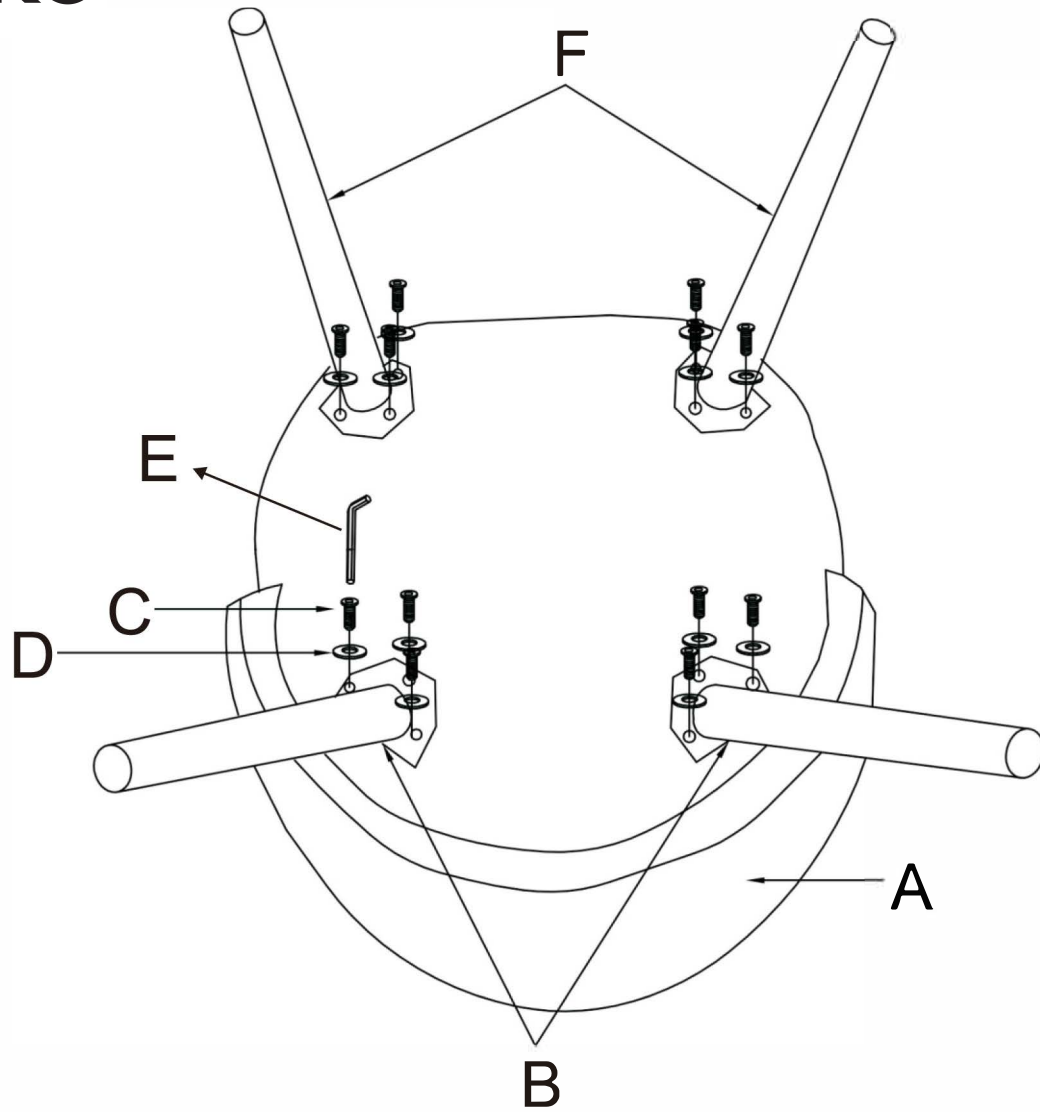








A		X4
B		X4
C		X4
D		X16
E		X1
F		X1
G		X16

0990-15





A		1
B		2
C	 M 6x20 mm	12
D	 M 6X18 mm	12
E		1
F		2



101-000055