

ASSEMBLY INSTRUCTION

Mesa Table

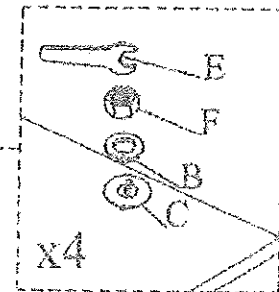
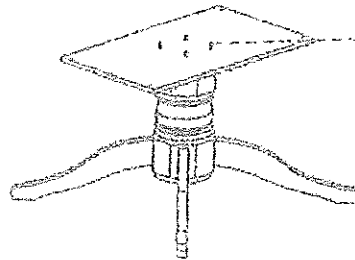
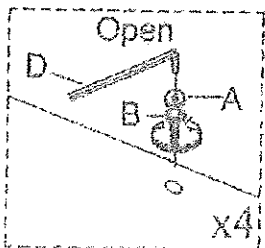
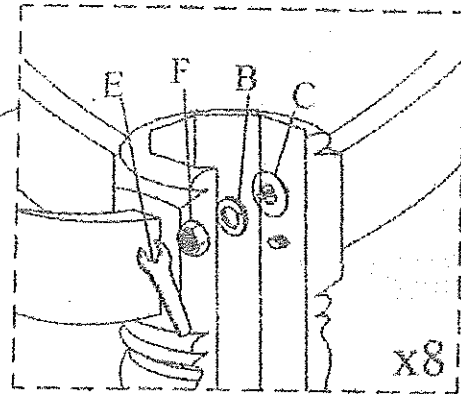
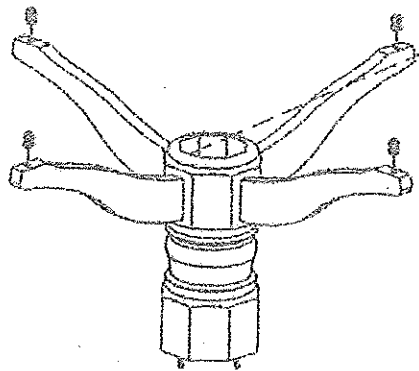
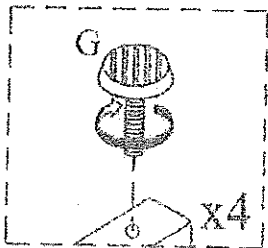
Thank you for purchasing this quality products. Be sure to check all packing material carefully for small parts which have come loose inside the carton during shipment. Identity and count all parts and compare with the parts list below. Place all wooden furniture parts on a clean and flat soft surface, such as carpet or rug to prevent from being scratched.

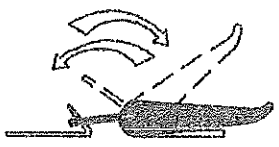
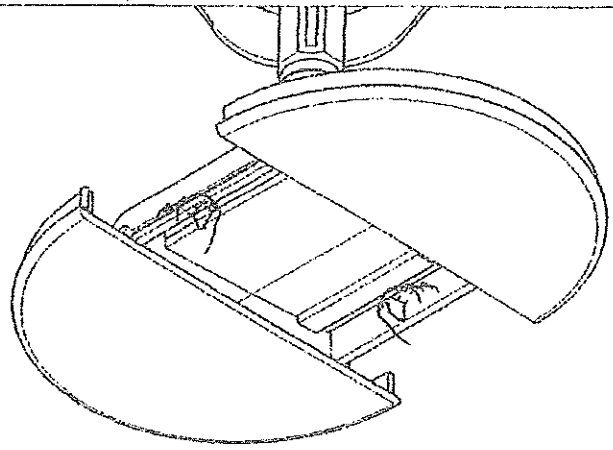
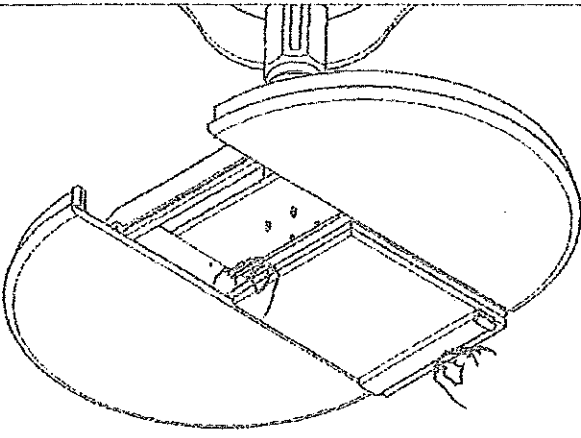
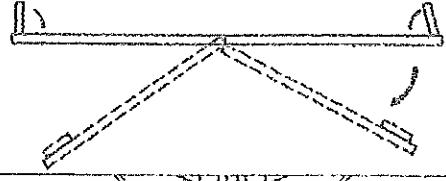
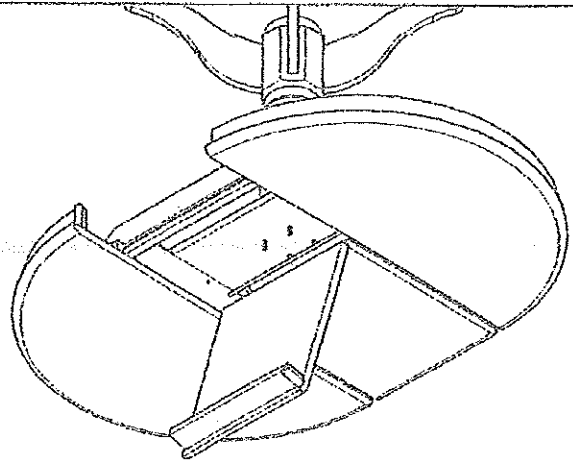
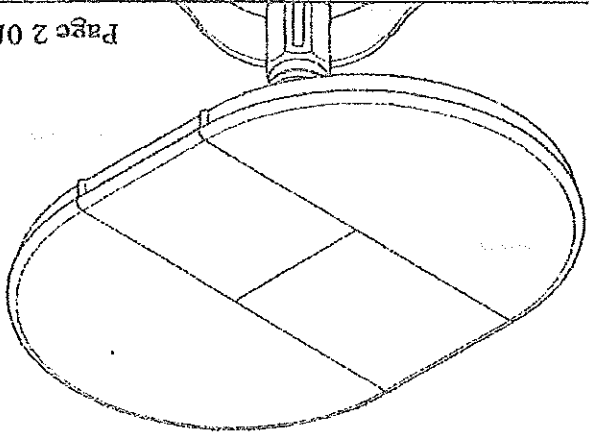
PARTS LIST

NO	COMPONENT	QTY
1	Table Top	1
2	Pedestal	1
3	Table Legs	4
4	Pedestal Plate	1

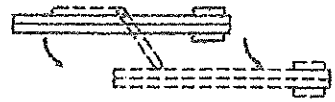
HARDWARE LIST

NO	DESCRIPTION	QTY
A	JCBC (M6 x 40)	4
B	Spring Washer	16
C	Flat Washer	12
D	Allen Key	1
E	Wrench	1
F	Hex-Nut	12
G	Glider	4





To Open/Lock



To Open the Extension Leaf

