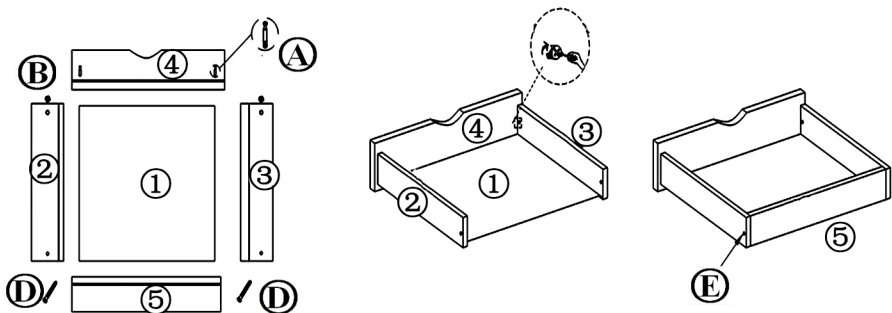
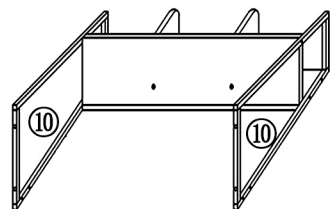
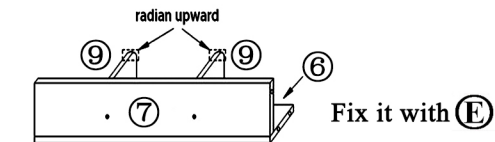
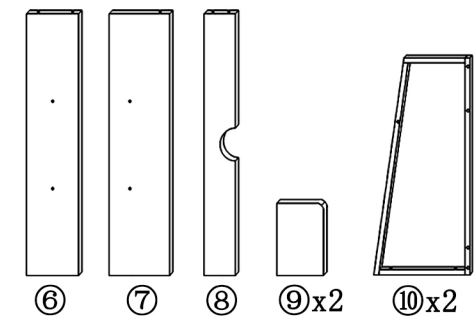


Item	(A)	(B)	(C)	(D)	(E)	(F)
Accesorios						
	eccentric screw	eccentric bolt	6cm flat head screw	4cm flat head screw	4cm nibbed screw	nut

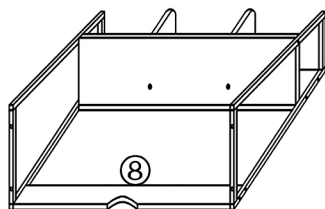
Step A:



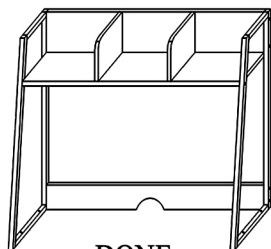
Step B:



Fix it with (E)

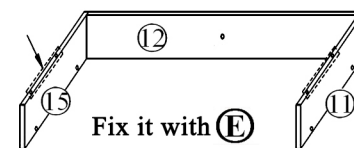
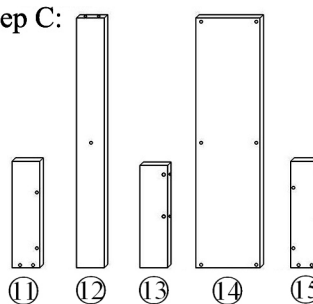


Fix it with (E)

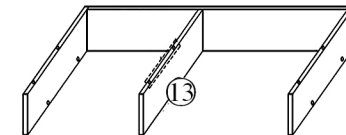


DONE

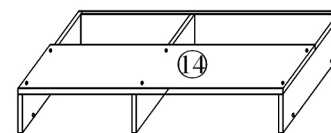
Step C:



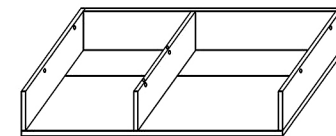
Fix it with (E)



Fix it with (E)

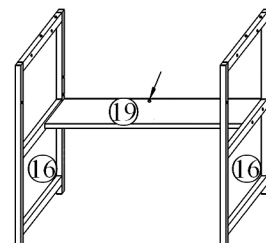
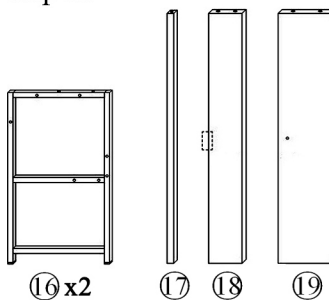


Fix it with (E)

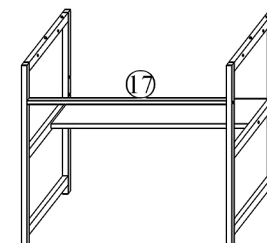


DONE

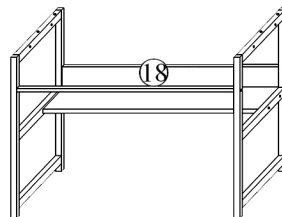
Step D:



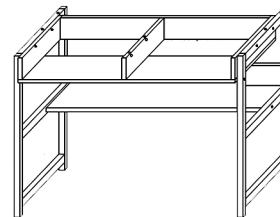
Fix it with (E)



Fix it with (E)

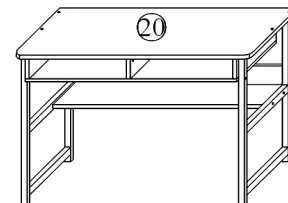
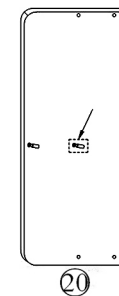


Fix it with (E)

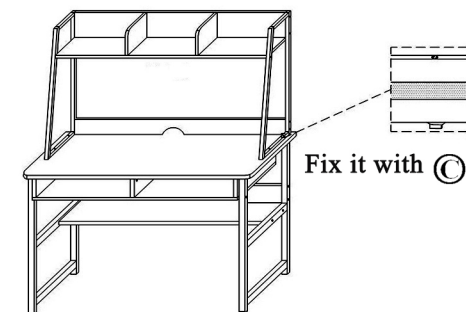


Fix it with (D) + (F)

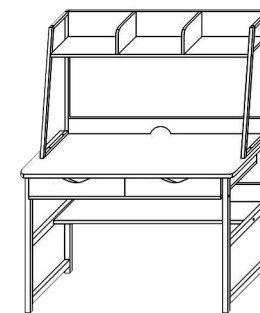
Step E:



Fix it with (A) + (B)



Fix it with (C) + (F)



Done!