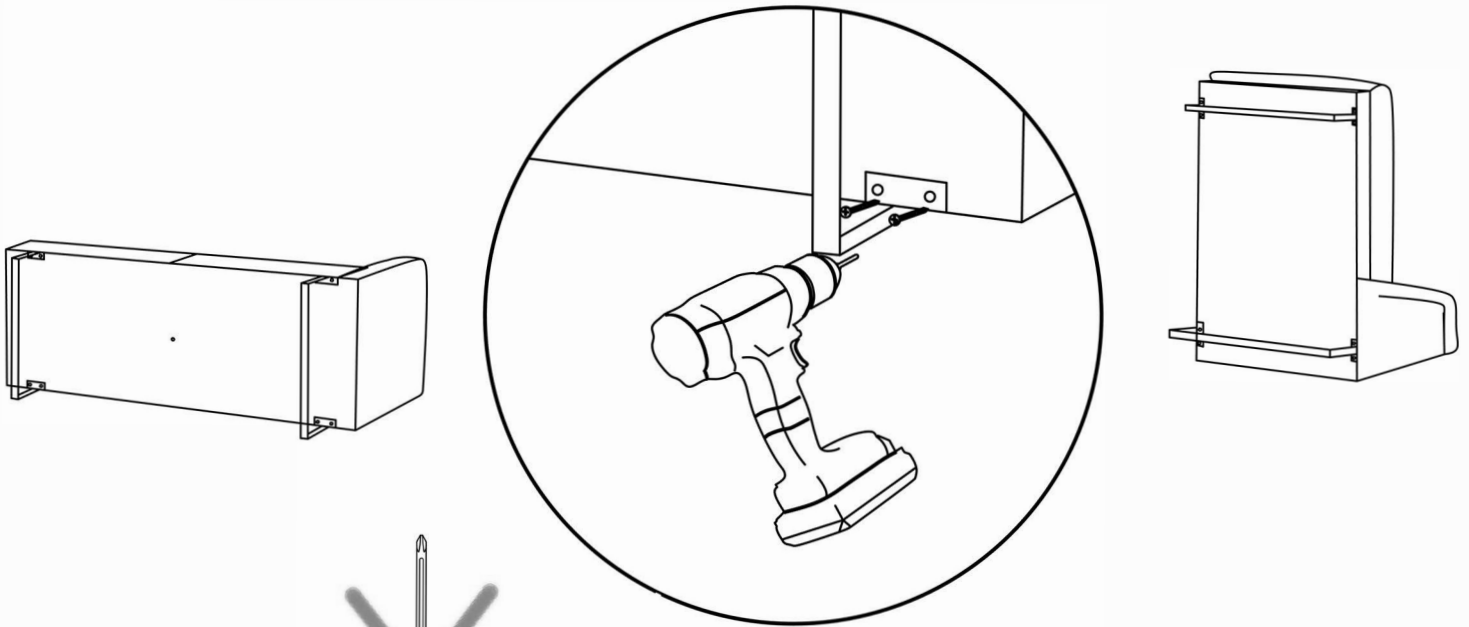




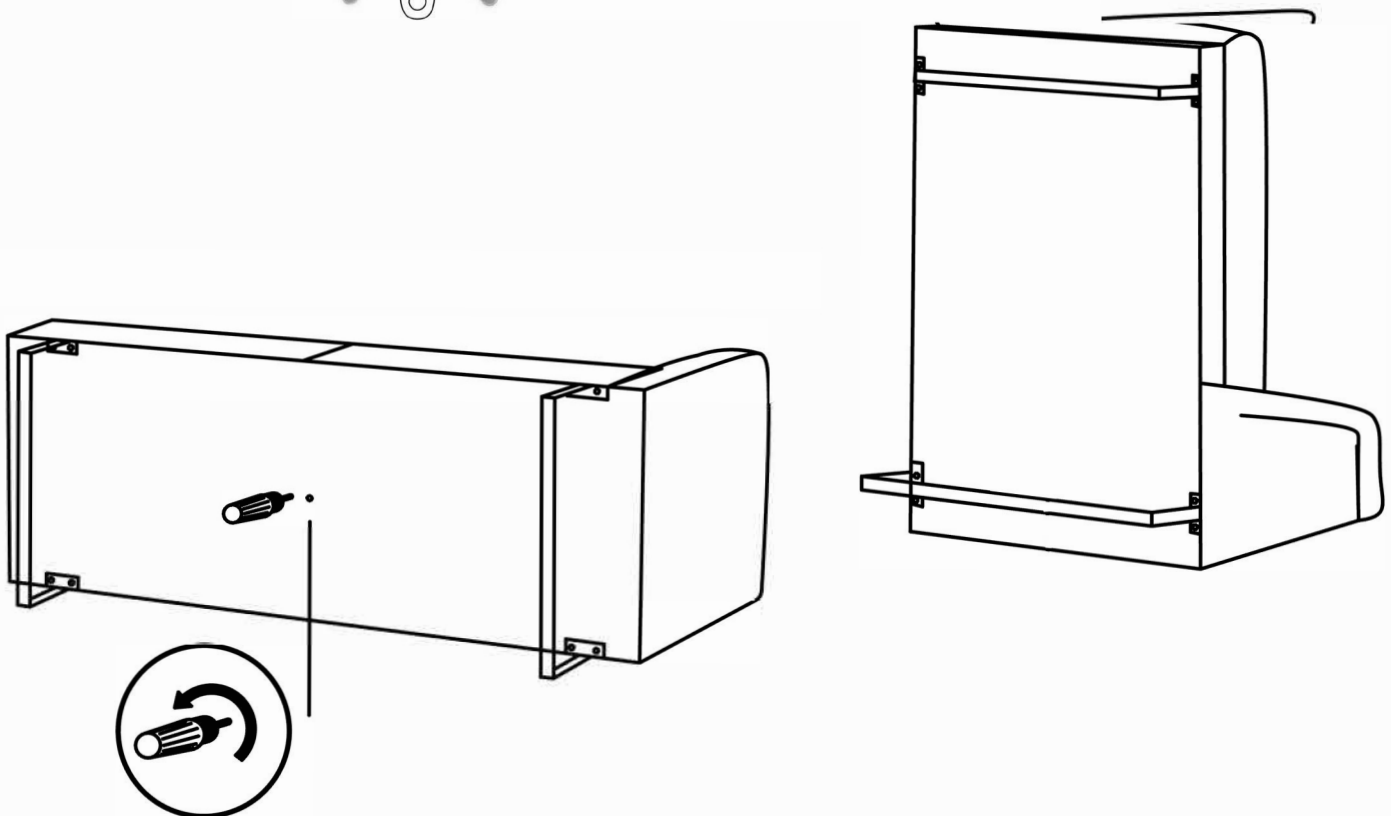
# ASSEMBLY

## STEP 2

Let's start with the installation of the iron legs. Please use a drill for fixing the iron legs.



Please don't use screwdriver.

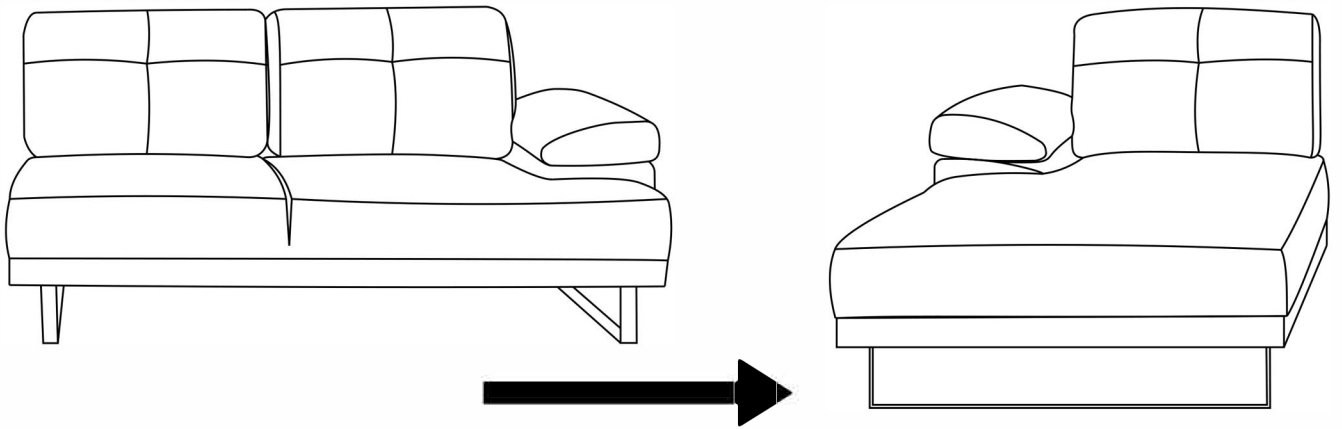


After finishing the assembly of the iron legs, let's connect the middle legs.

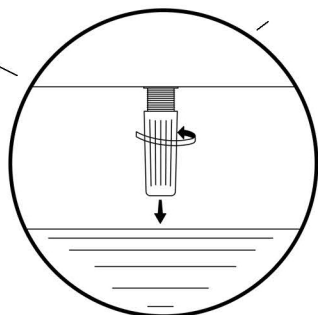
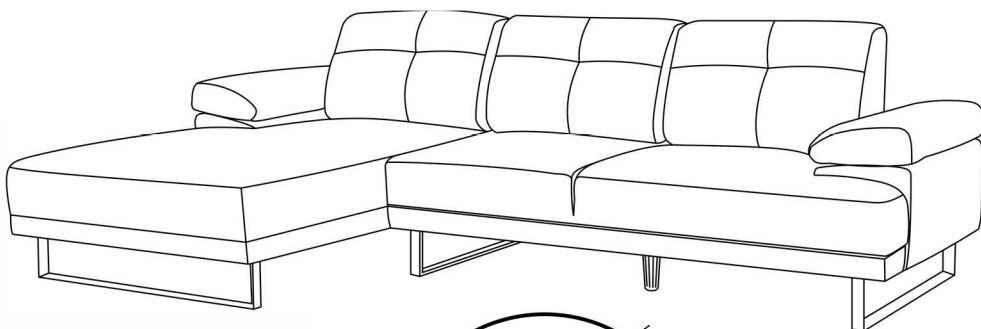
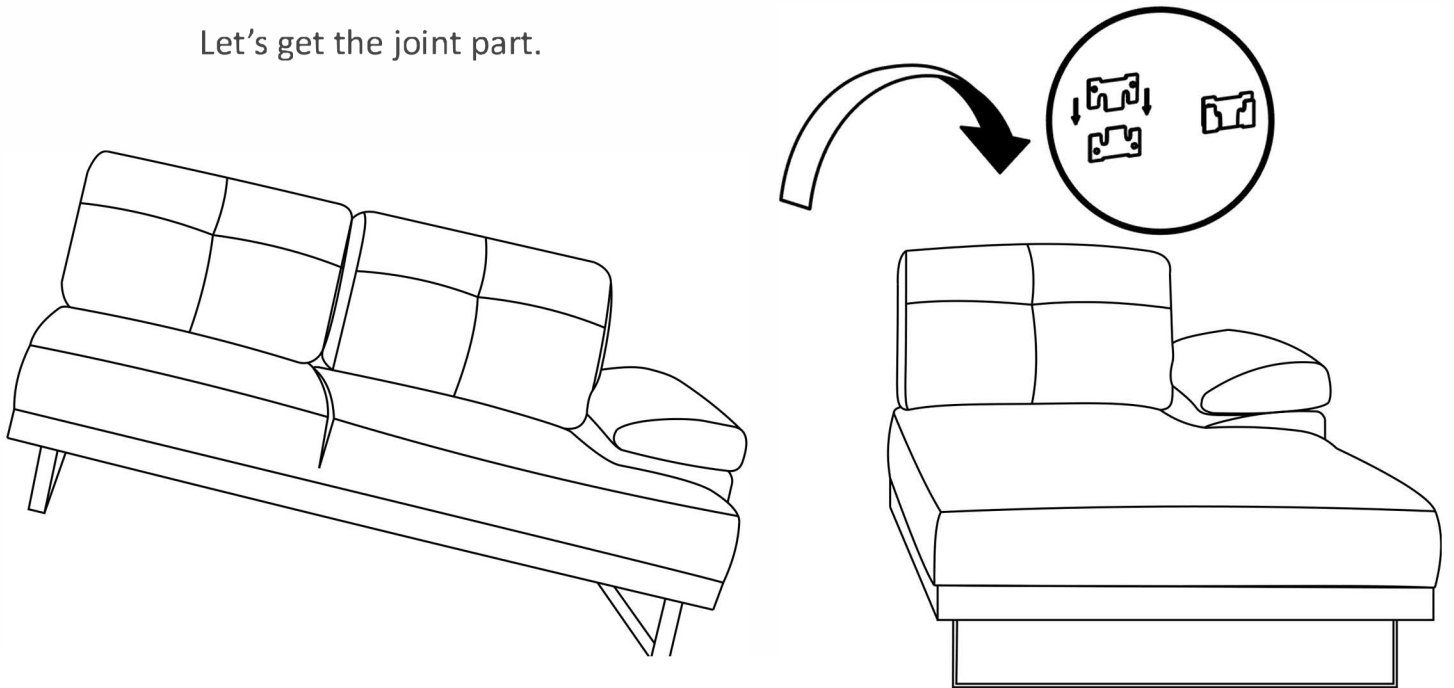
# ASSEMBLY

## STEP 3

After completing the legs assembly, let's assemble the part of sofa.



Let's get the joint part.



After placing the sofa, let's adjust the adjustable middle leg, according to the floor

END OF THE ASSEMBLY