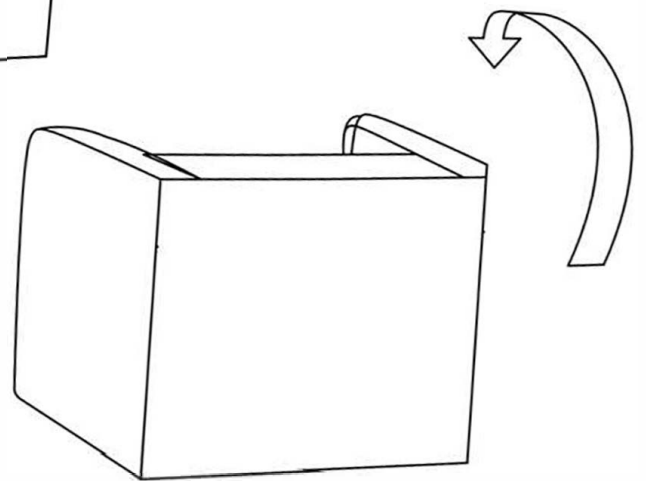
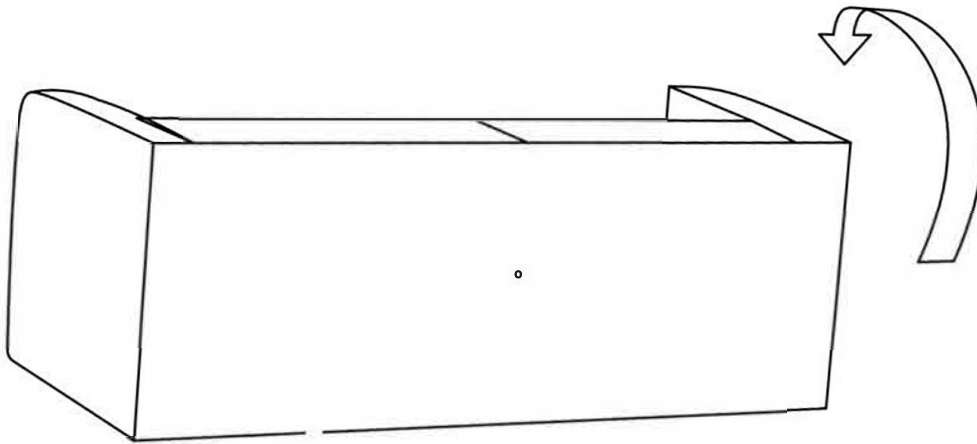
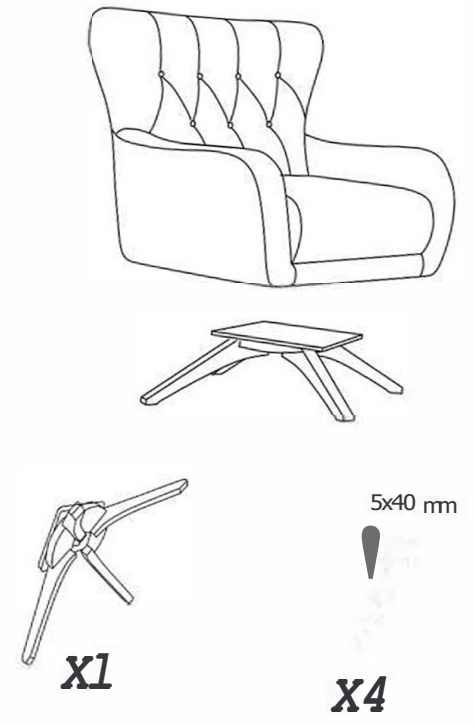
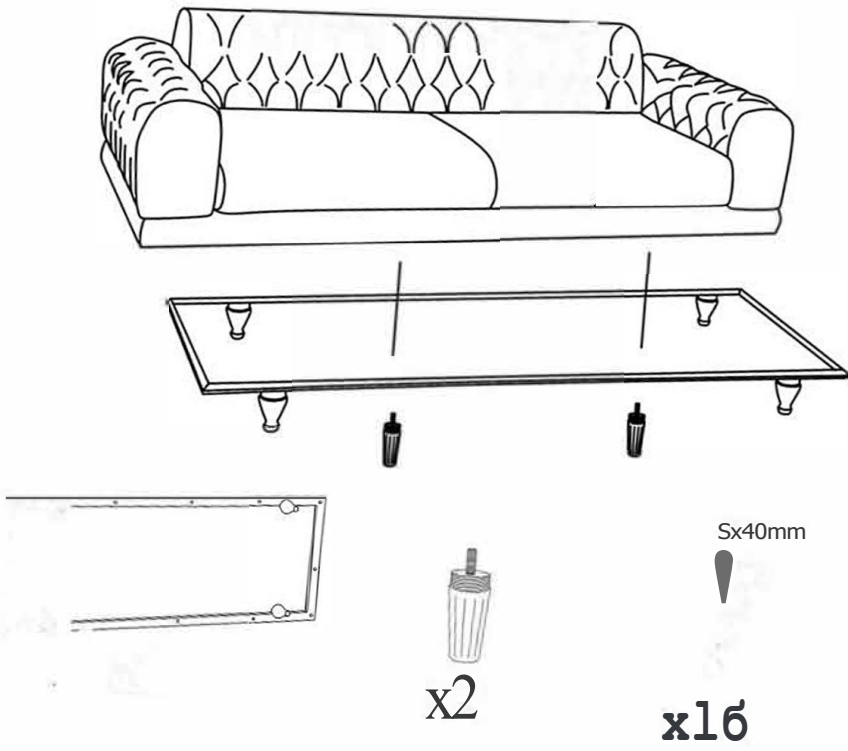


1. 120x200x80	120x200x80	120x200x80
2. 150x250x90	150x250x90	150x250x90
3. 80x85	80x85	80x85

4. 100x100x80	100x100x80
5. 120x120x90	120x120x90
6. 80x85	80x85

The first part of the document describes the design process and the selection of materials. It mentions the importance of ergonomics and the choice of a tufted design for the sofa and armchair. The text also discusses the selection of a modern, minimalist design for the second sofa. The dimensions for each piece are listed in the tables below.

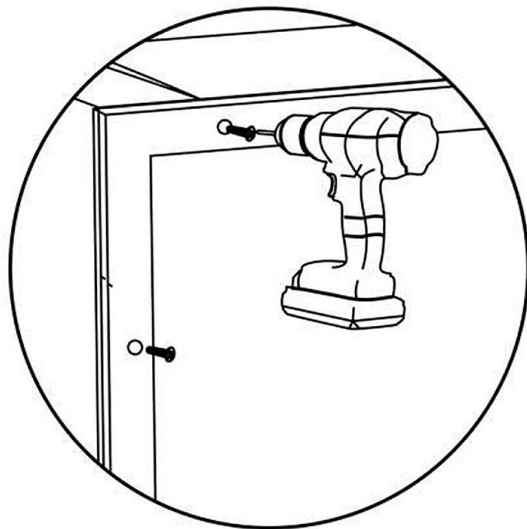
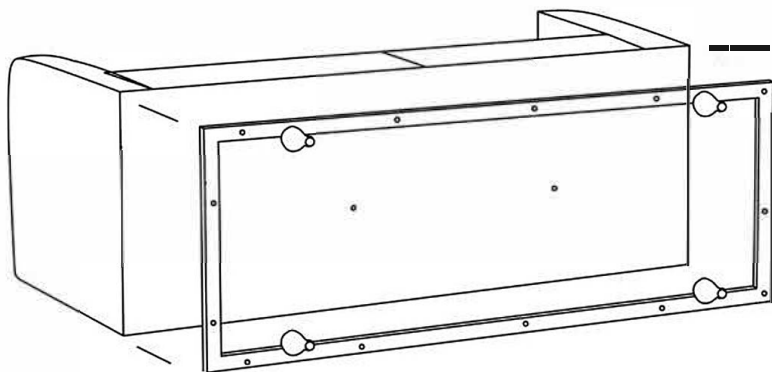
The second part of the document provides a detailed description of the furniture pieces. It highlights the tufted design of the sofa and armchair, noting its classic and elegant appearance. The modern sofa is described as a contemporary piece with clean lines and a low profile. The dimensions for each piece are provided in the tables below.



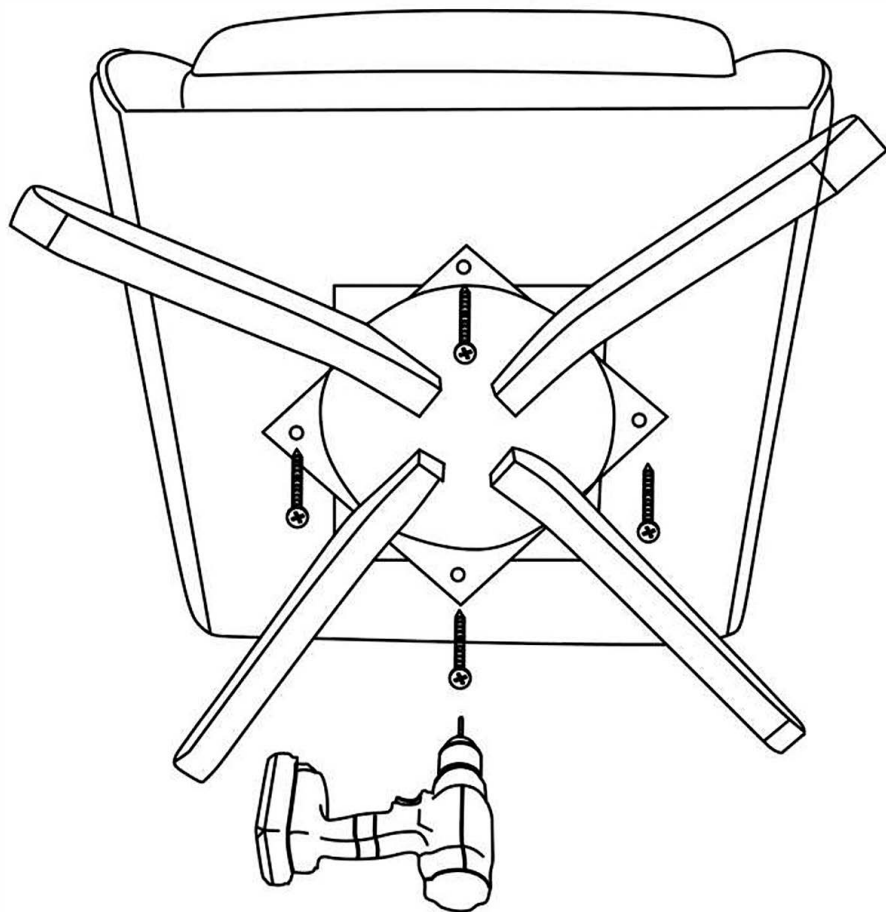
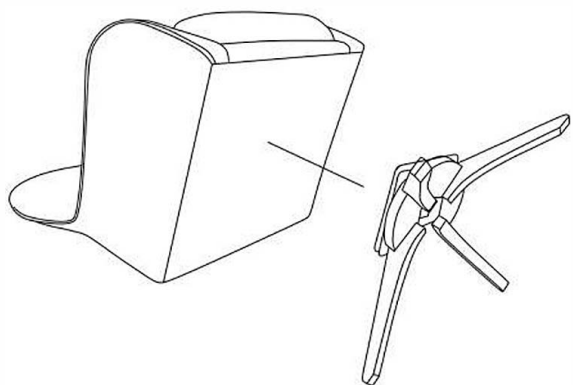
WHEELBARROW

ASSEMBLY

1. Attach the front panel to the frame using the screws provided. Tighten the screws with the power drill.



WHEEL



2. Attach the wheel to the rear of the wheelbarrow using the provided hardware. Tighten the hardware with the power drill.

3. The wheelbarrow is now ready for use. Please use it responsibly and do not overfill it.

