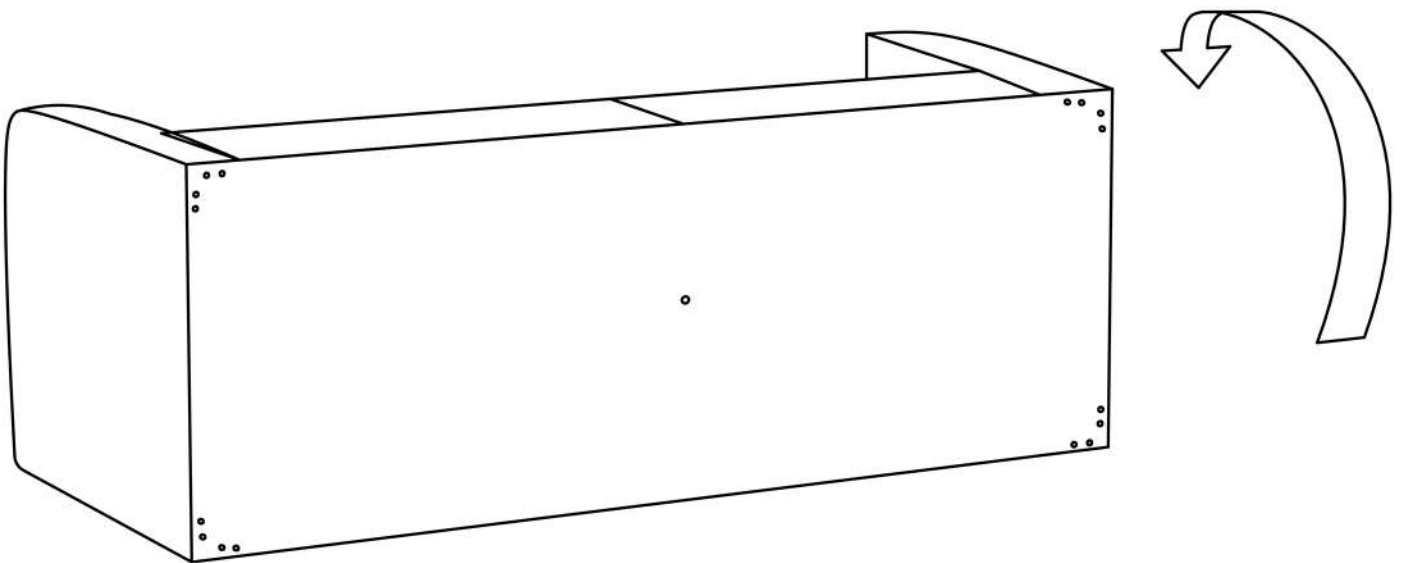


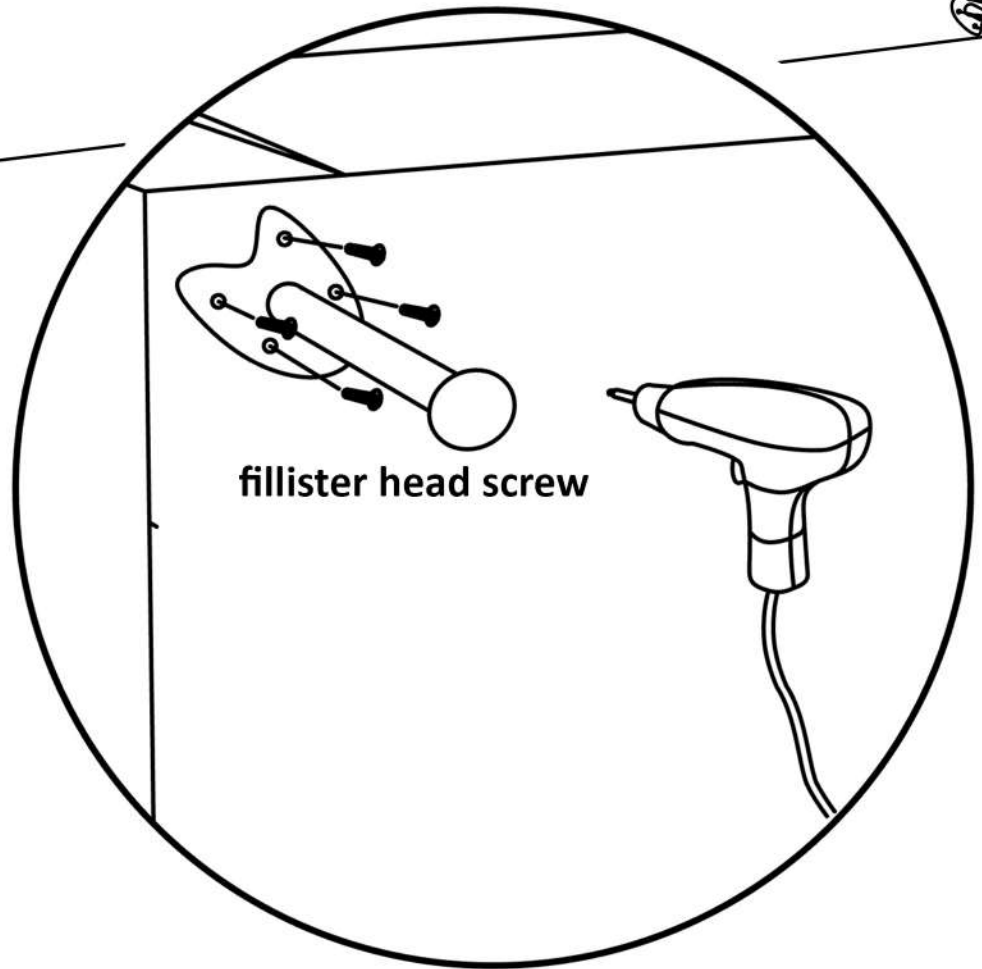
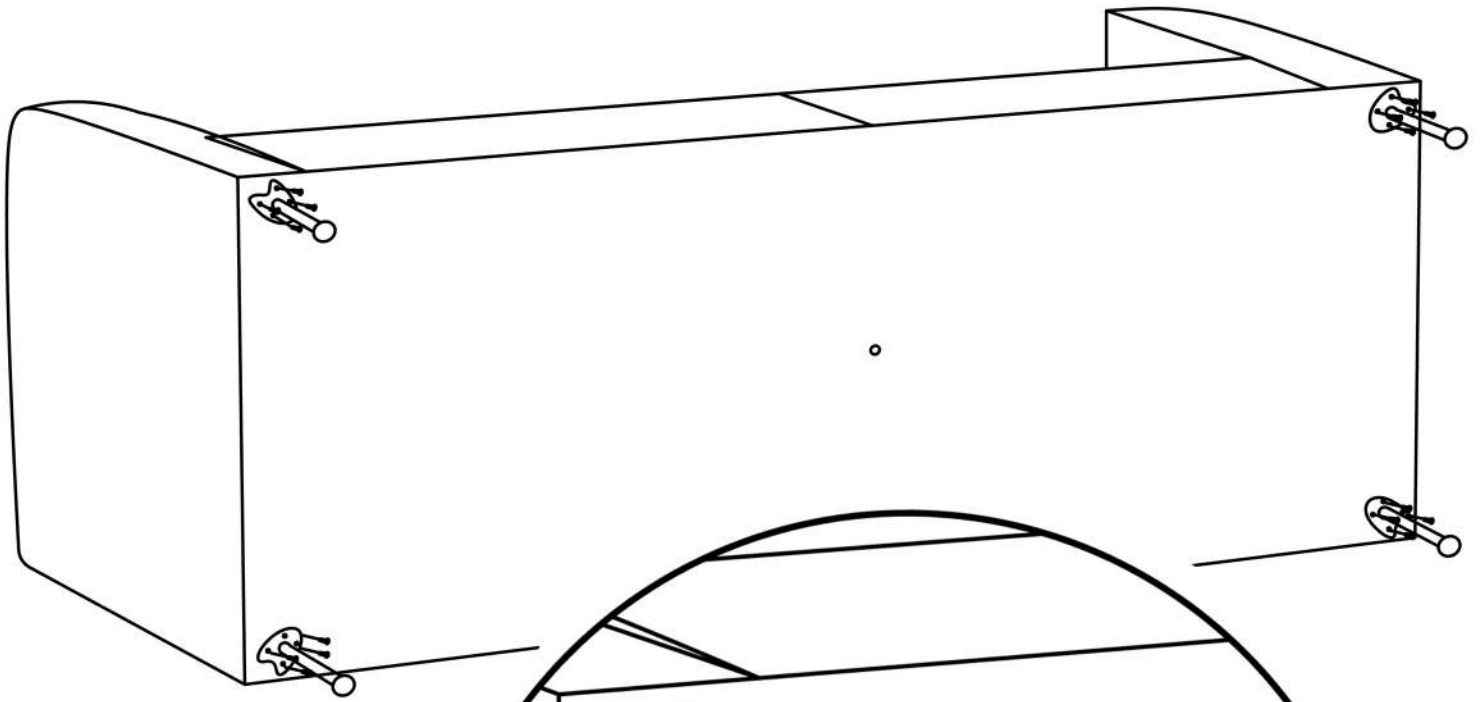
sofa includes ,4 iron legs and 1 adjustable plastic leg.

STEP 1

please recline the sofa

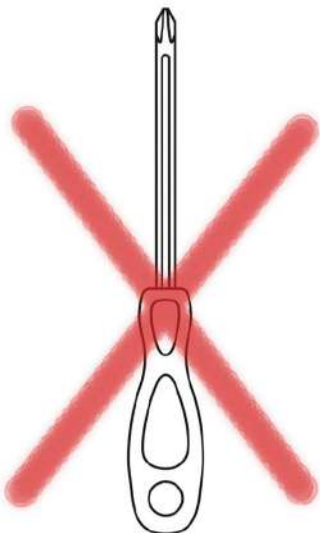


STEP 2



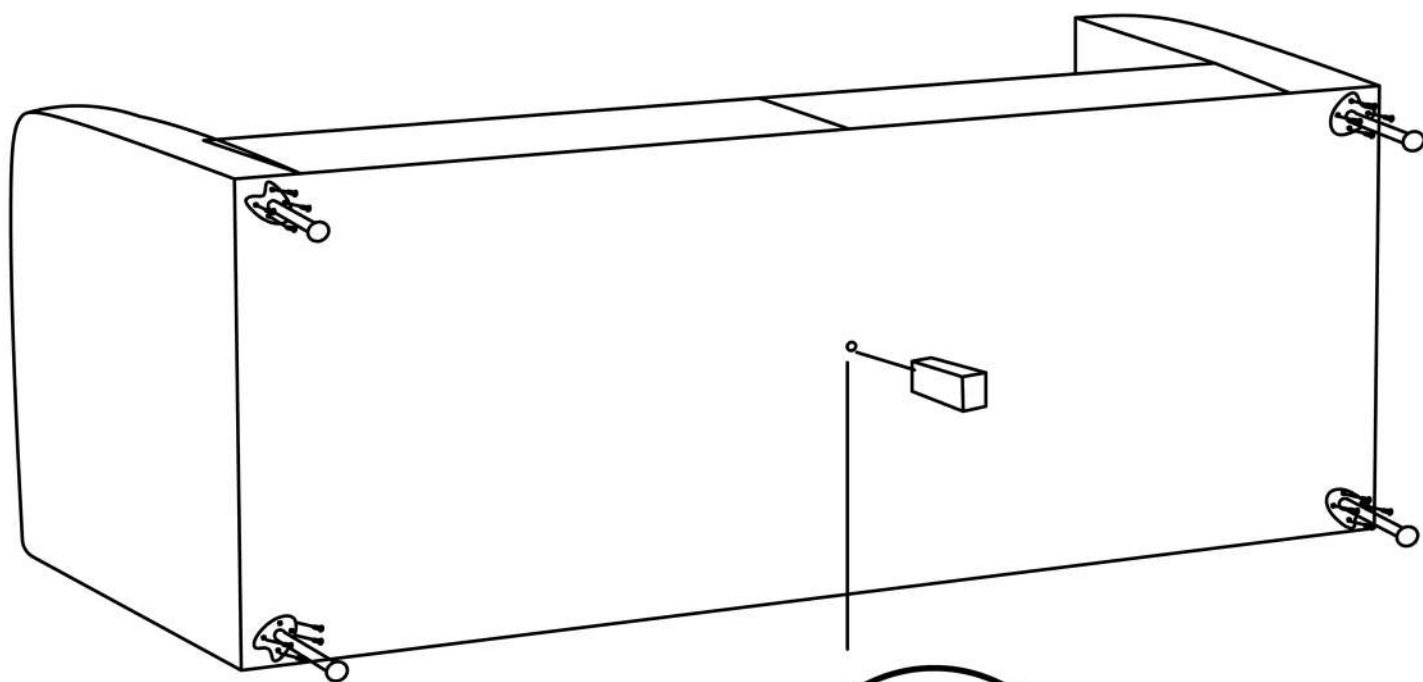
fillister head screw

**please use a drill
for fixing the legs**

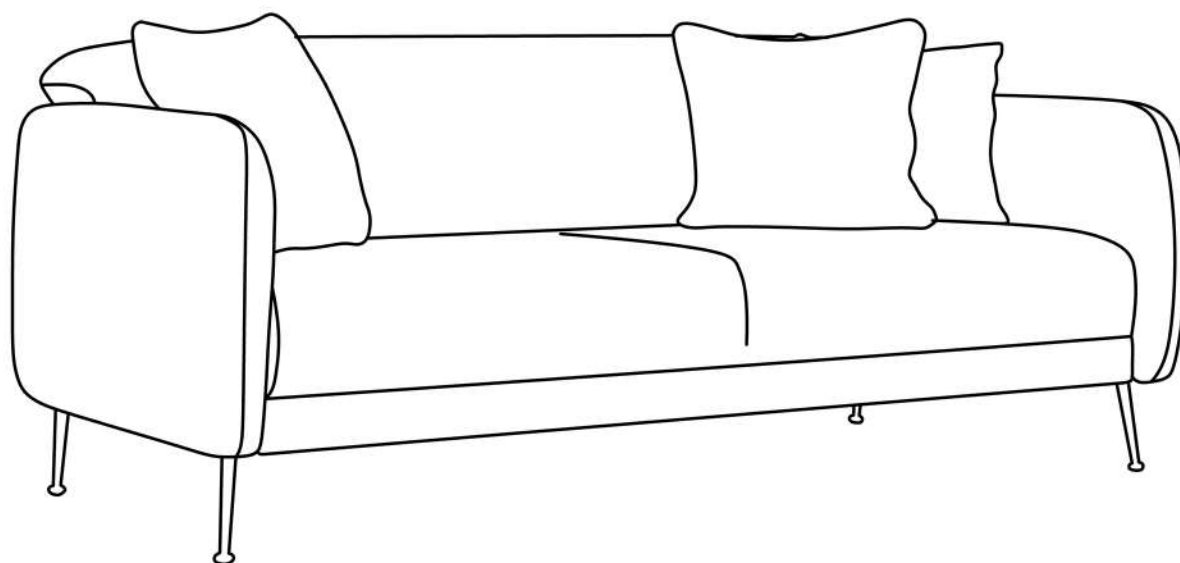
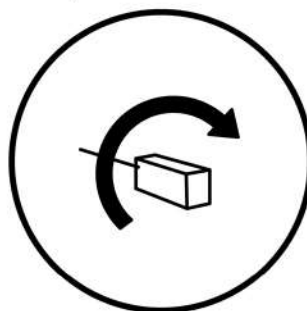


please don't use screwdriver

STEP 3



adjustable middle leg



have a nice seating