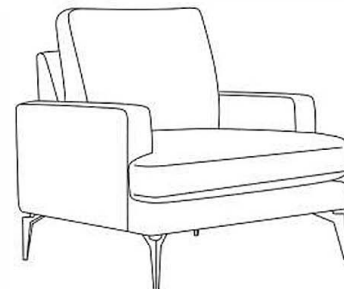
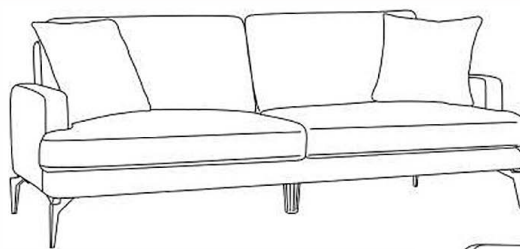
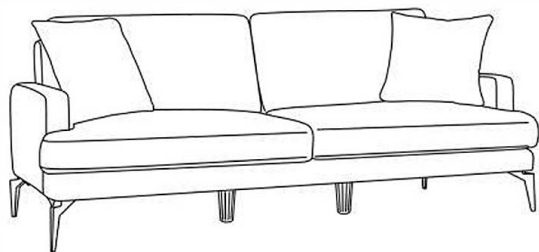


# ASSEMBLY AND USER MANUAL



PRODUCT CODE : 071-001180

## PRODUCT SIZE

	W	D	H
3	205 cm	90 cm	88 cm
2	175 cm	90 cm	88 cm
1	80 cm	90 cm	

## PACKAGE SIZE

3	210 cm x 100 cm x 63 cm / 52 kg
2	180 cm x 100 cm x 63 cm / 43 kg
1	80 cm x 90 cm x 88 cm / 32 kg
1.32 m <sup>3</sup> / 1.13 m <sup>3</sup> / 0.63 m <sup>3</sup> = 3.09 m <sup>3</sup>	

Dear Customer,

The product you bought was subjected to all sorts of tests and control before sending out to you. Even in this situation, sometimes happen that some component is damaged during the transportation. In such case please do not send the whole article back to us. Just request/order the damaged part. While requesting the required part, describe it exactly by looking to service card. Missing part will be sent to you as soon as possible.

Before start assembling, please check the whole components and accessories according to the list. After being sure that every part and accessory are okay and right, start assembling.

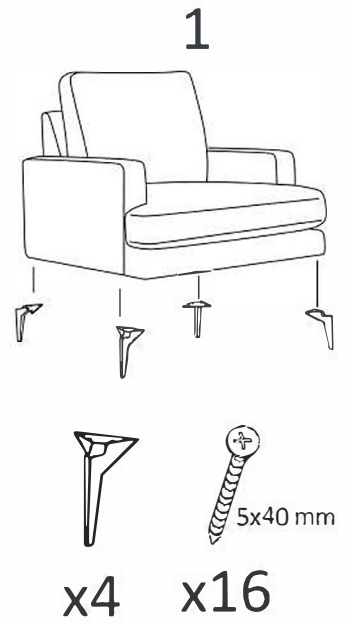
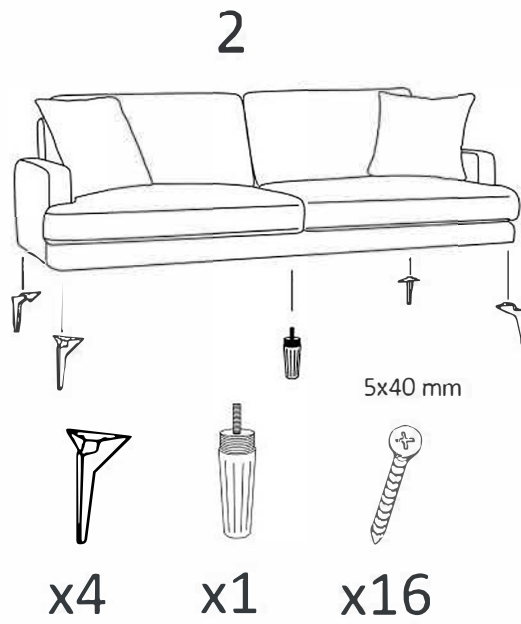
If you bought more than one product, to prevent confusion be sure that you completed the first product. Then start the other product's assembling.

Never draw the products. While carrying, disassociate and lift the product and carry with minimum 2 people. For long distances It is very easy to clean the surfaces of your product. It is enough to wipe with a damp cleaners. Please don't wash the fabric.

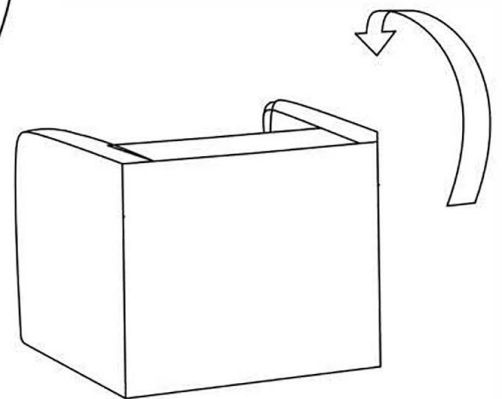
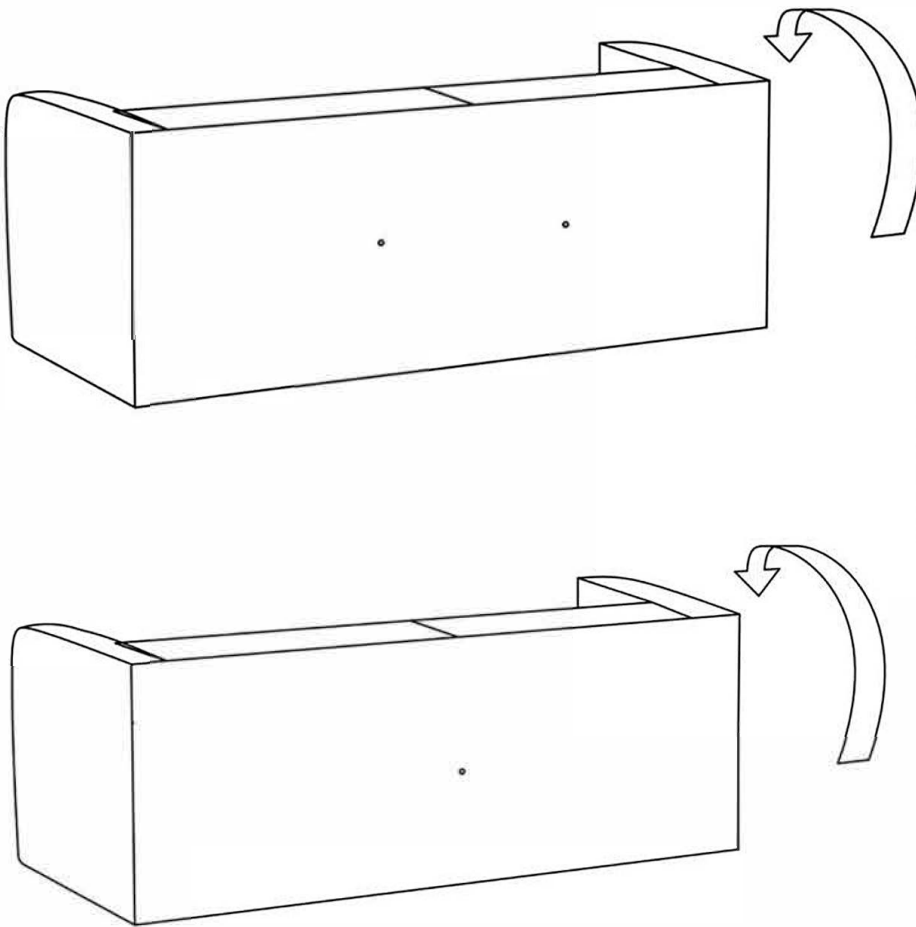
Do not directly contact your furniture with excessive heat, cold and humidity because the product can be affected.

Do not use your furniture for out of purpose.

# ASSEMBLY



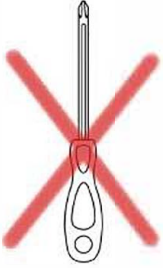
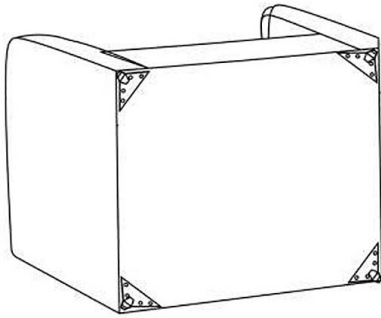
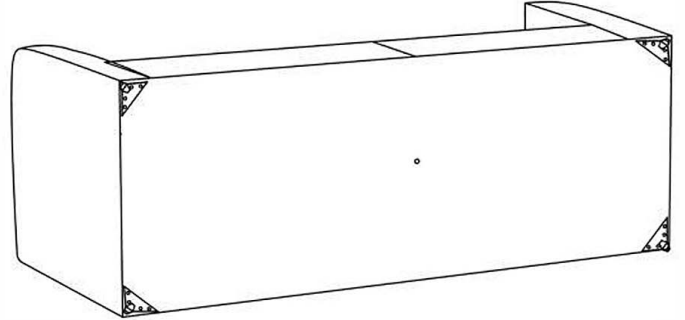
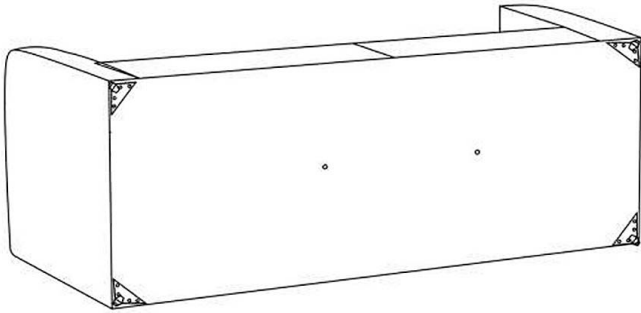
## STEP 1



# ASSEMBLY

## STEP 2

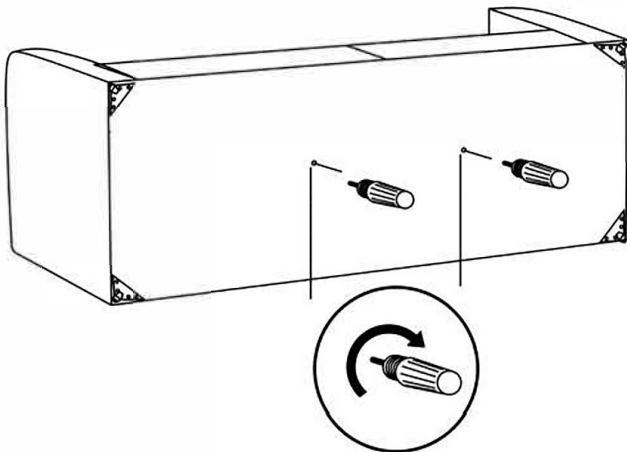
Let's start with the installation of the legs. Please use a drill for fixing the legs.



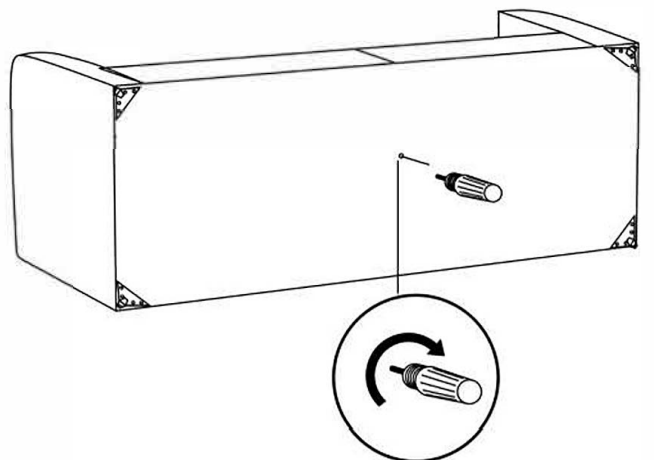
Please don't use screwdriver.

## STEP 3

After finishing the assembly of the legs, let's connect the middle legs.



3 seat includes 2 middle legs.

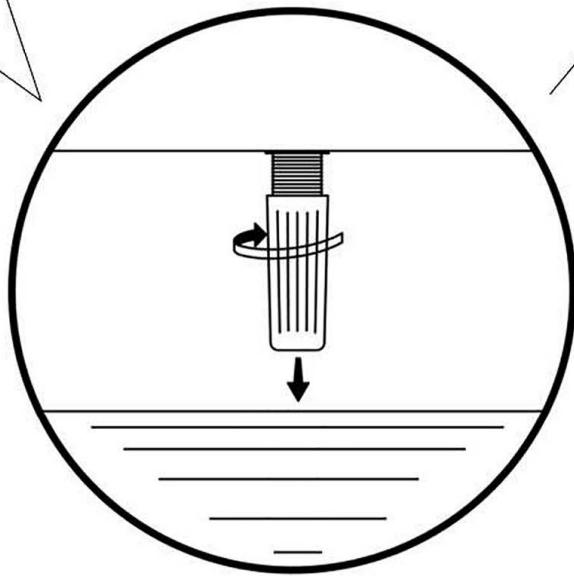
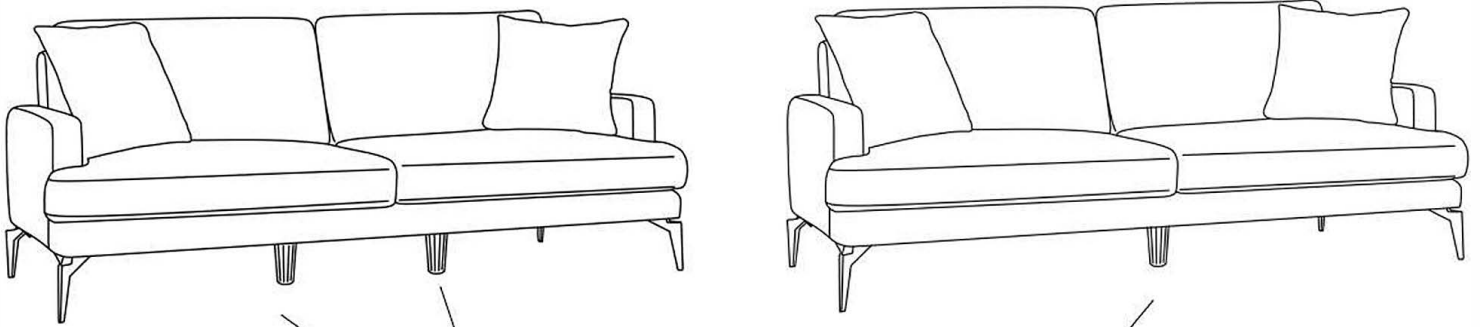


2 seat includes 1 middle legs.

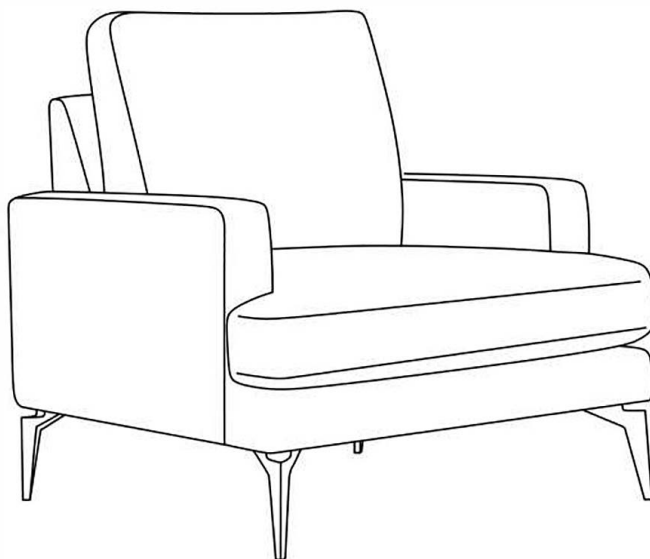
# ASSEMBLY

## STEP 4

After placing the sofa, let's adjust the adjustable middle leg, according to the floor.



Let's turn the adjustable part counterclockwise.



END OF THE ASSEMBLY