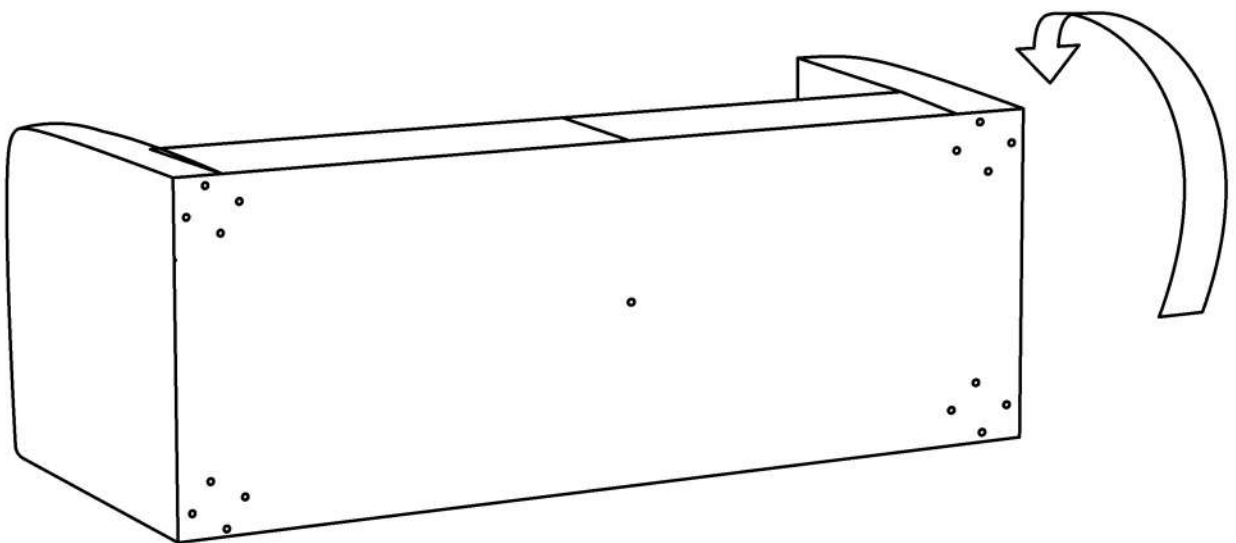


sofa includes 4 wooden legs and 1 plastic adjustable middle leg.

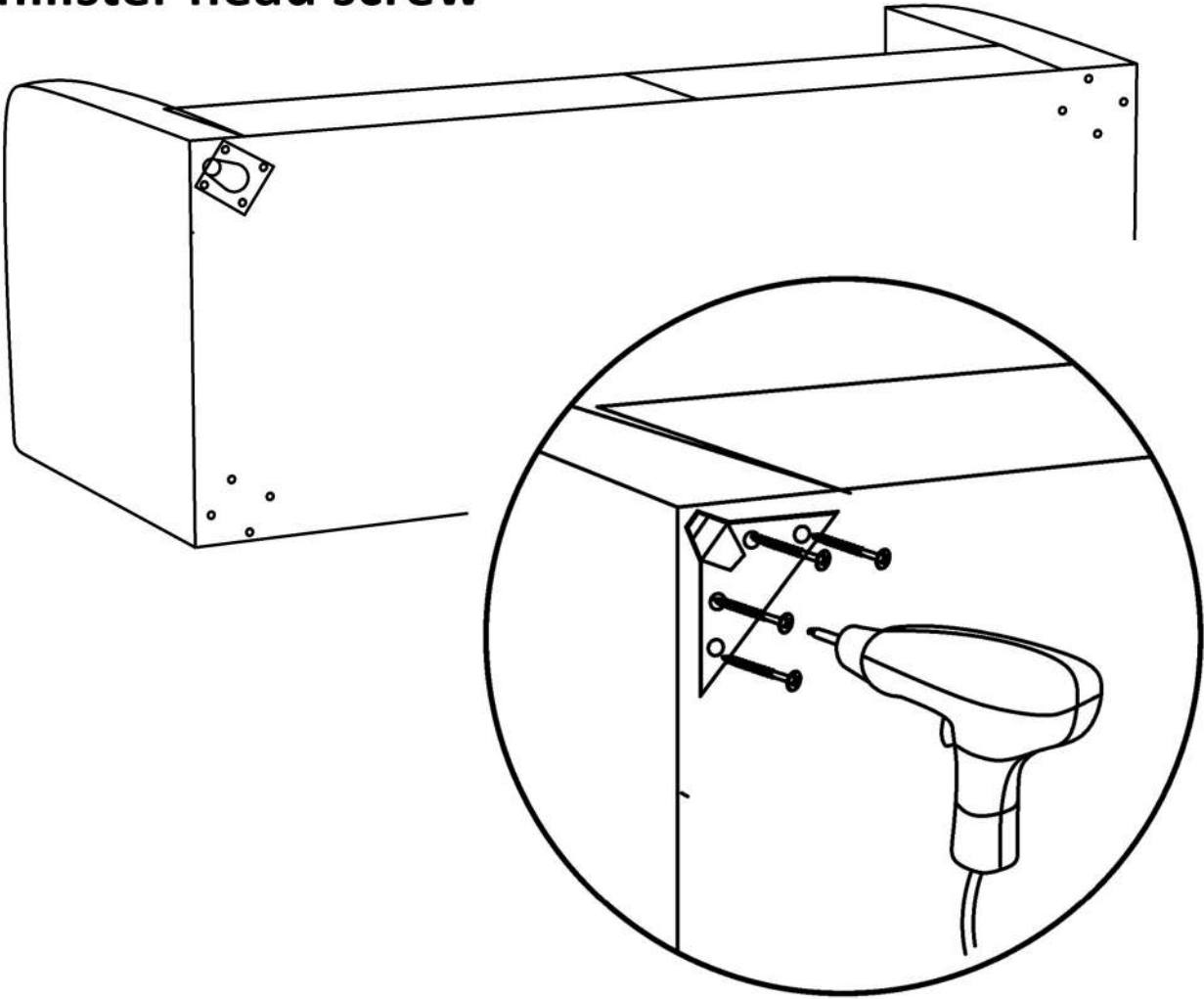
STEP 1

please recline the sofa

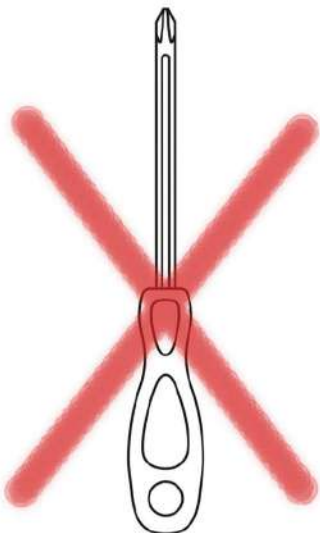


STEP 2

fillister head screw

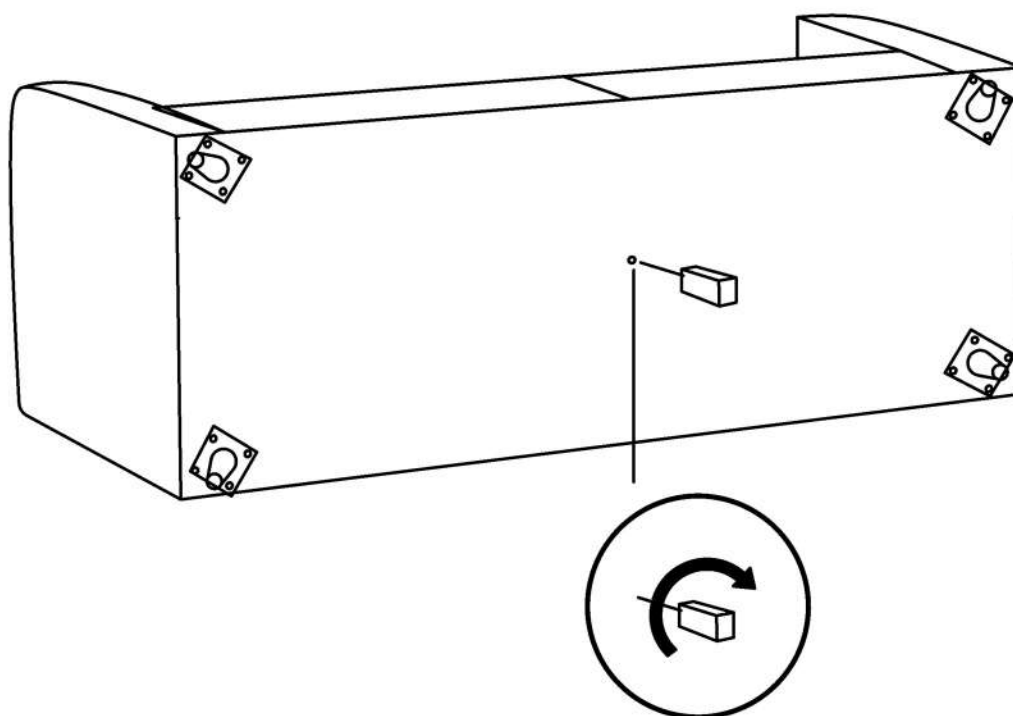


please use a drill
for fixing the legs

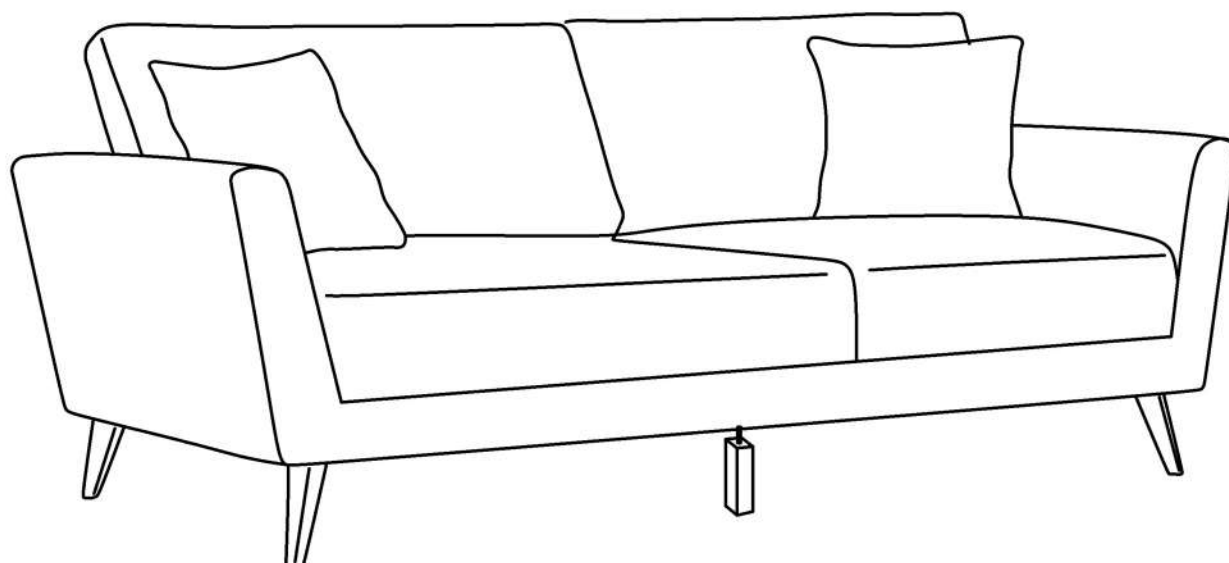


please don't use screwdriver

STEP 3



**please find the fixing hole underneath,
place the adjustable plastic leg**



have a nice seating