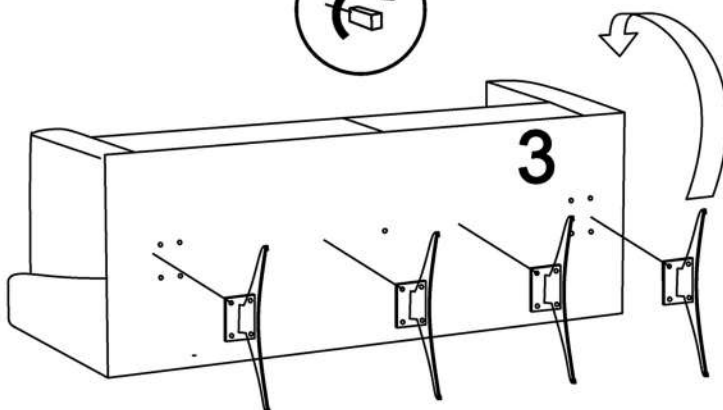
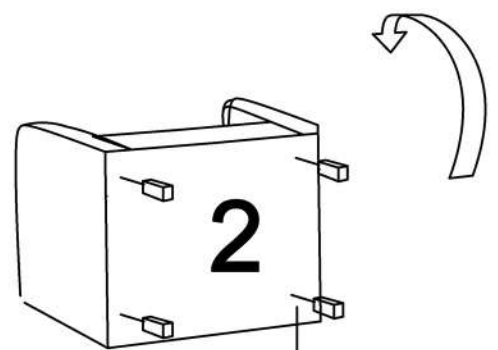
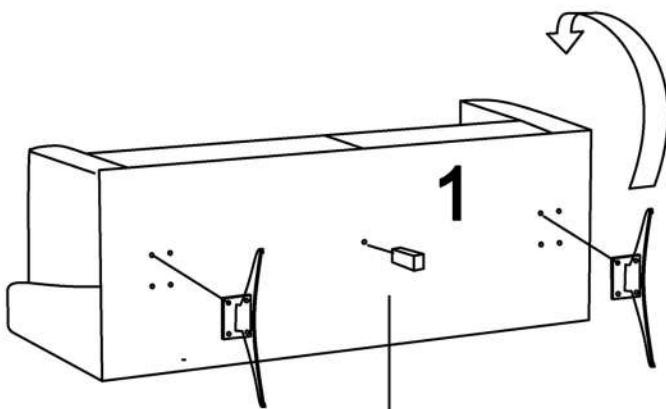




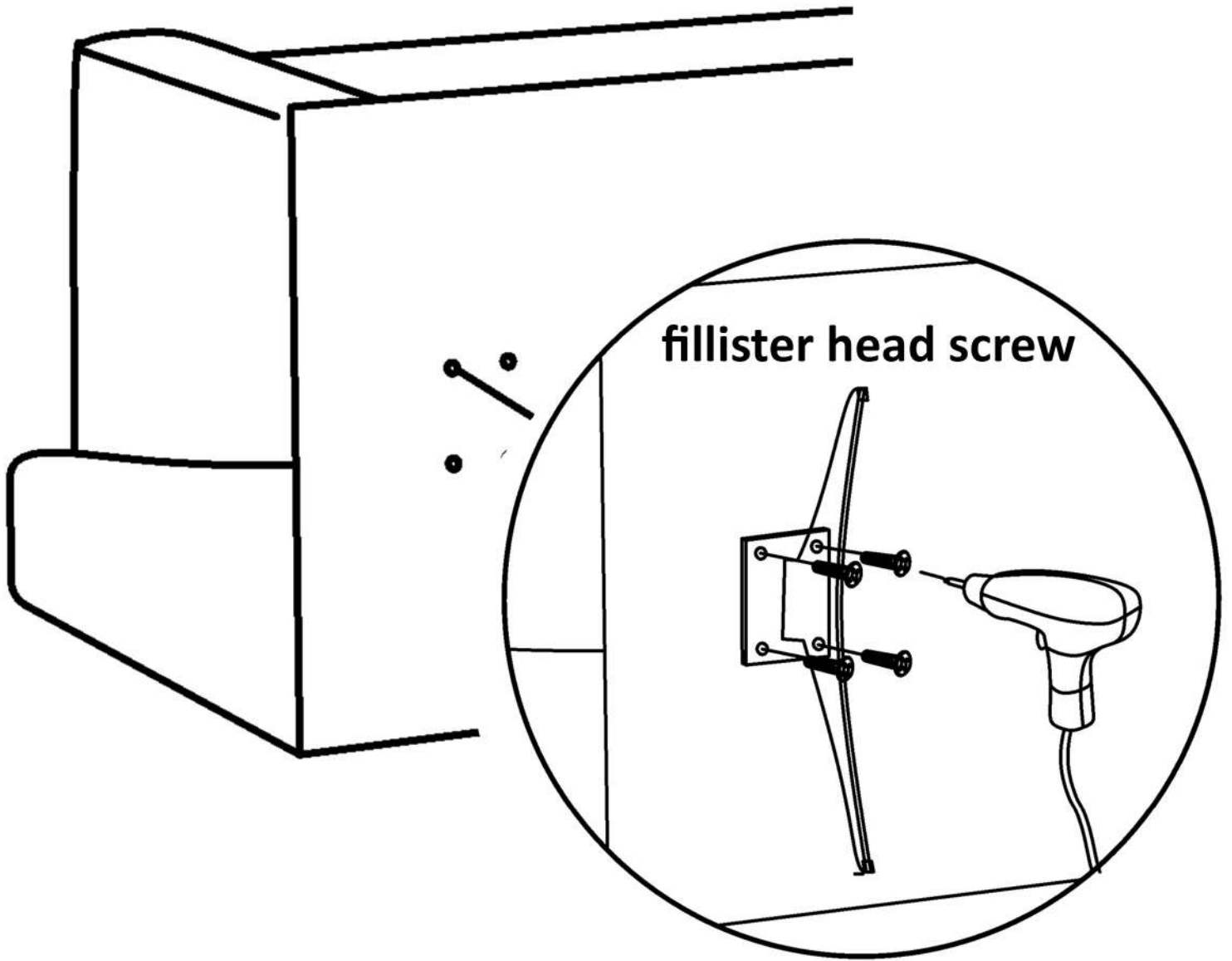
sofa includes 6 iron legs and 5 plastic adjustable middle leg.

STEP 1

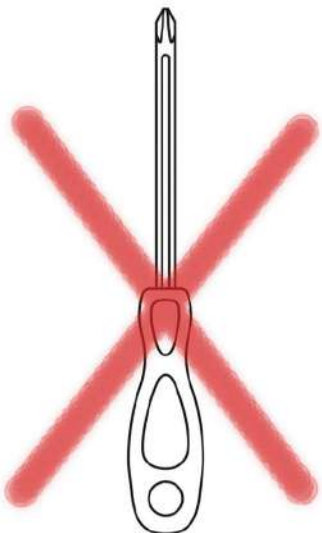
please recline the sofa



STEP 2

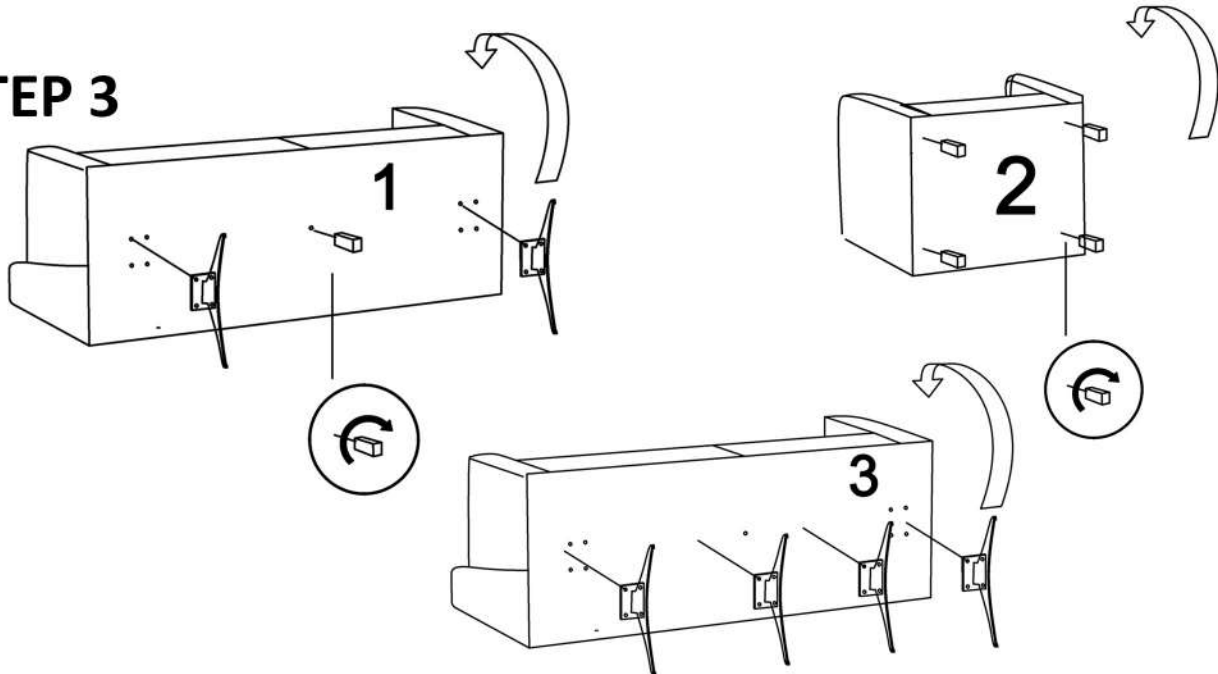


**please use a drill
for fixing the legs**



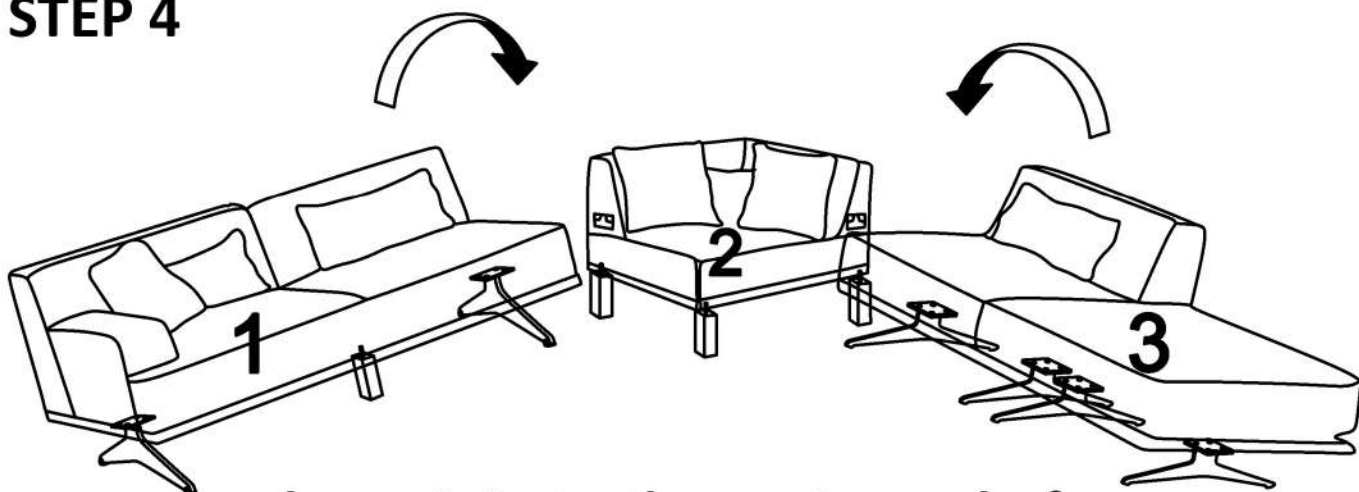
please don't use screwdriver

STEP 3



**please find the fixing hole underneath,
place the adjustable plastic leg**

STEP 4



**please join to the parts, end of
the fixing legs**



have a nice seating