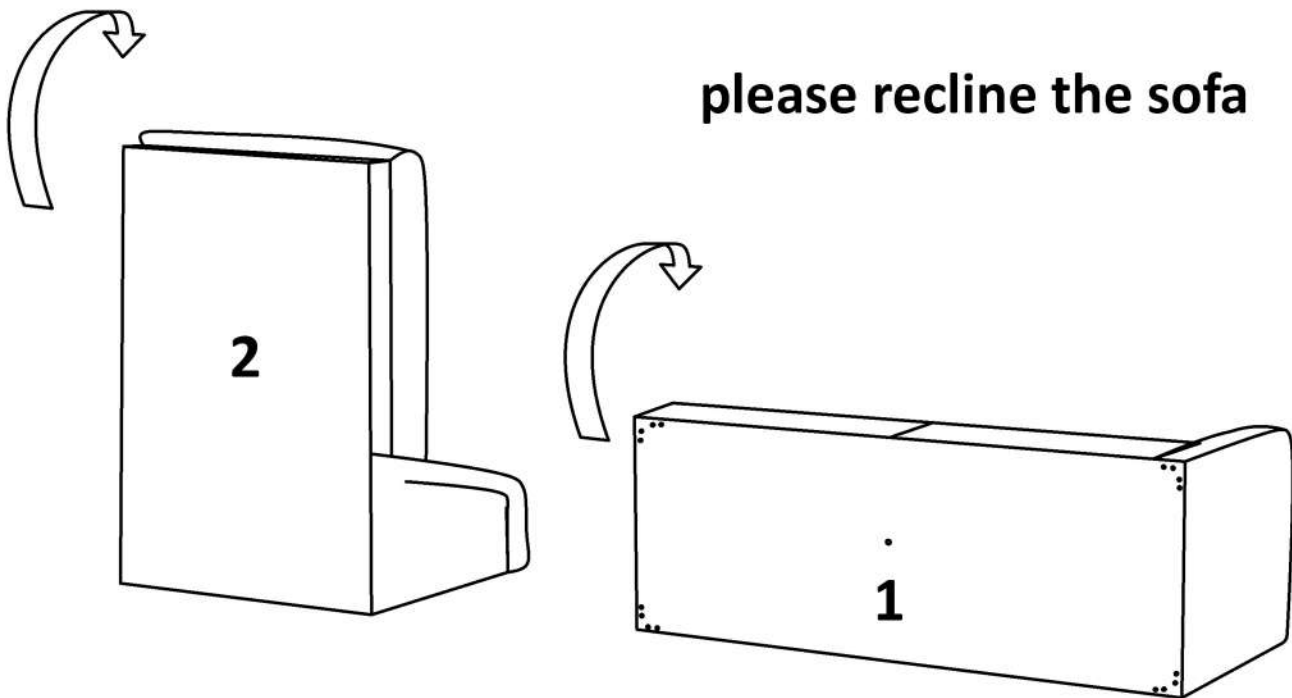


sofa includes 8 iron legs and 2 plastic adjustable middle leg.

STEP 1

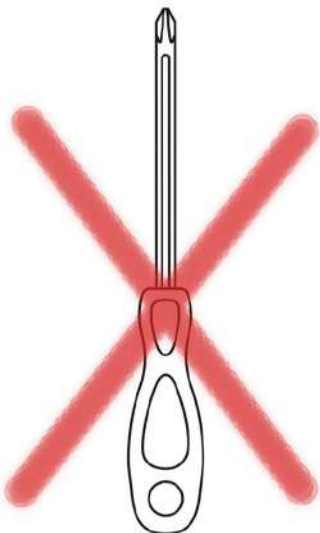


STEP 2

fillister head screw

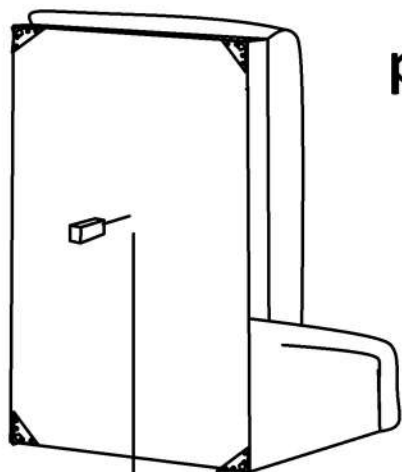


please use a drill
for fixing the legs

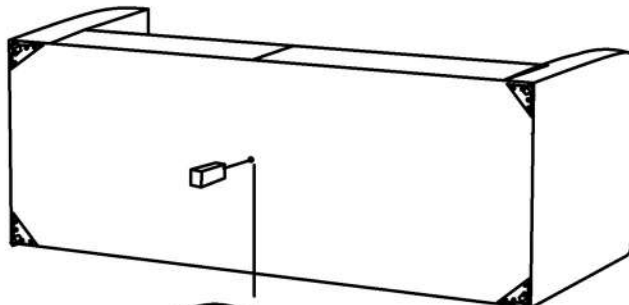


please don't use screwdriver

STEP 3



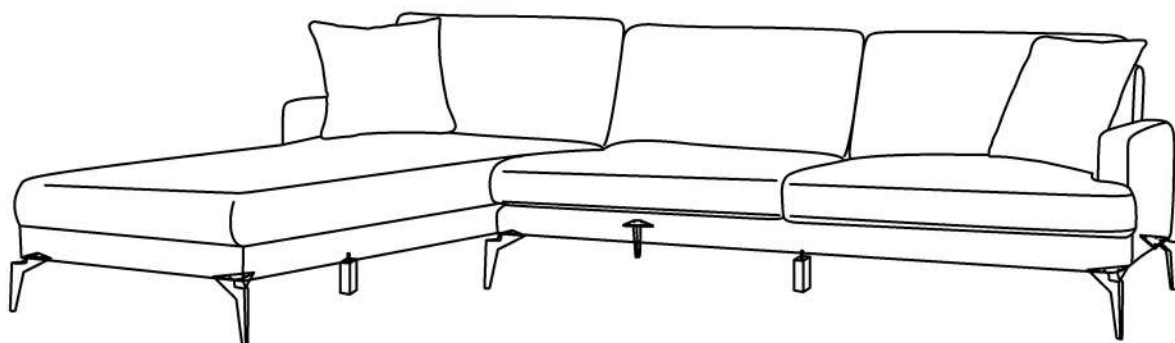
**please find the fixing hole underneath,
place the adjustable plastic leg**



STEP 4



**please join to the parts, end of
the fixing legs**



have a nice seating