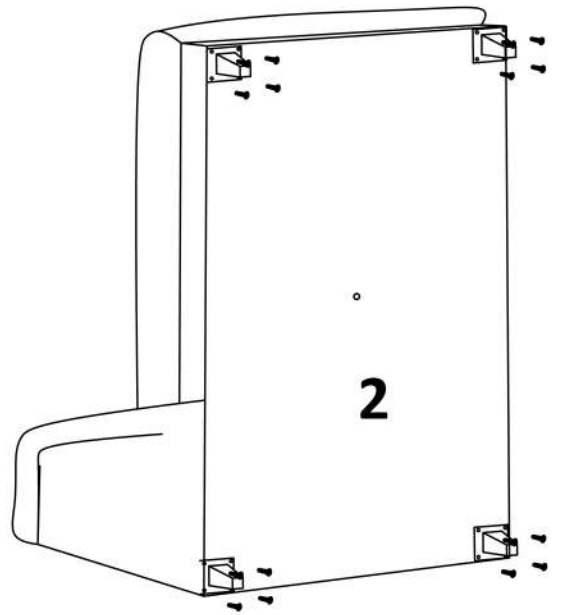
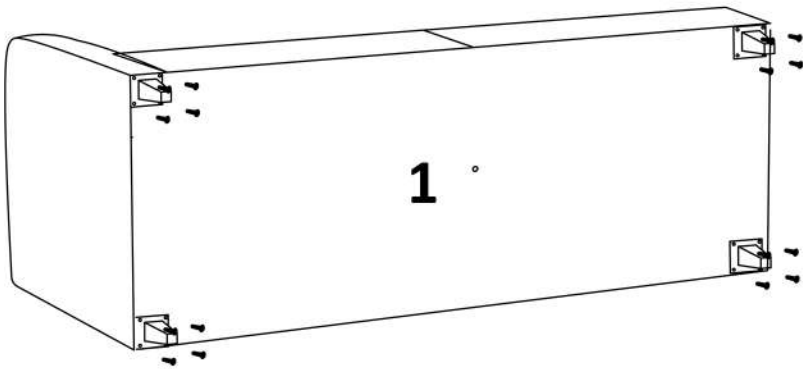


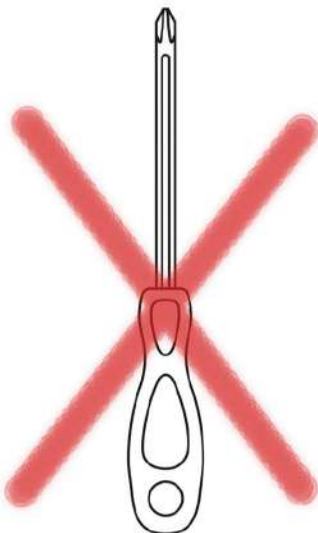
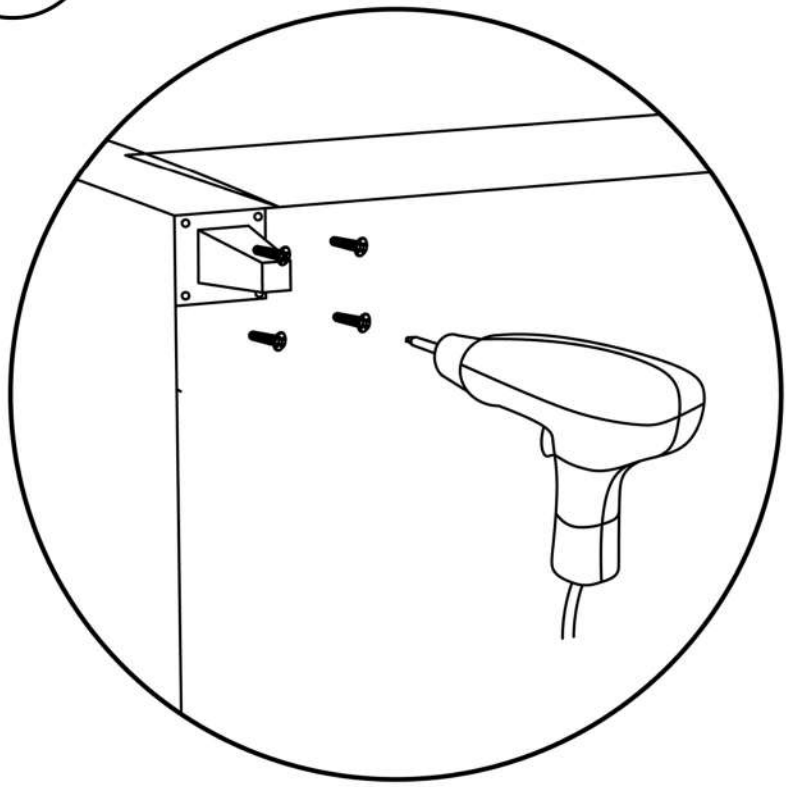
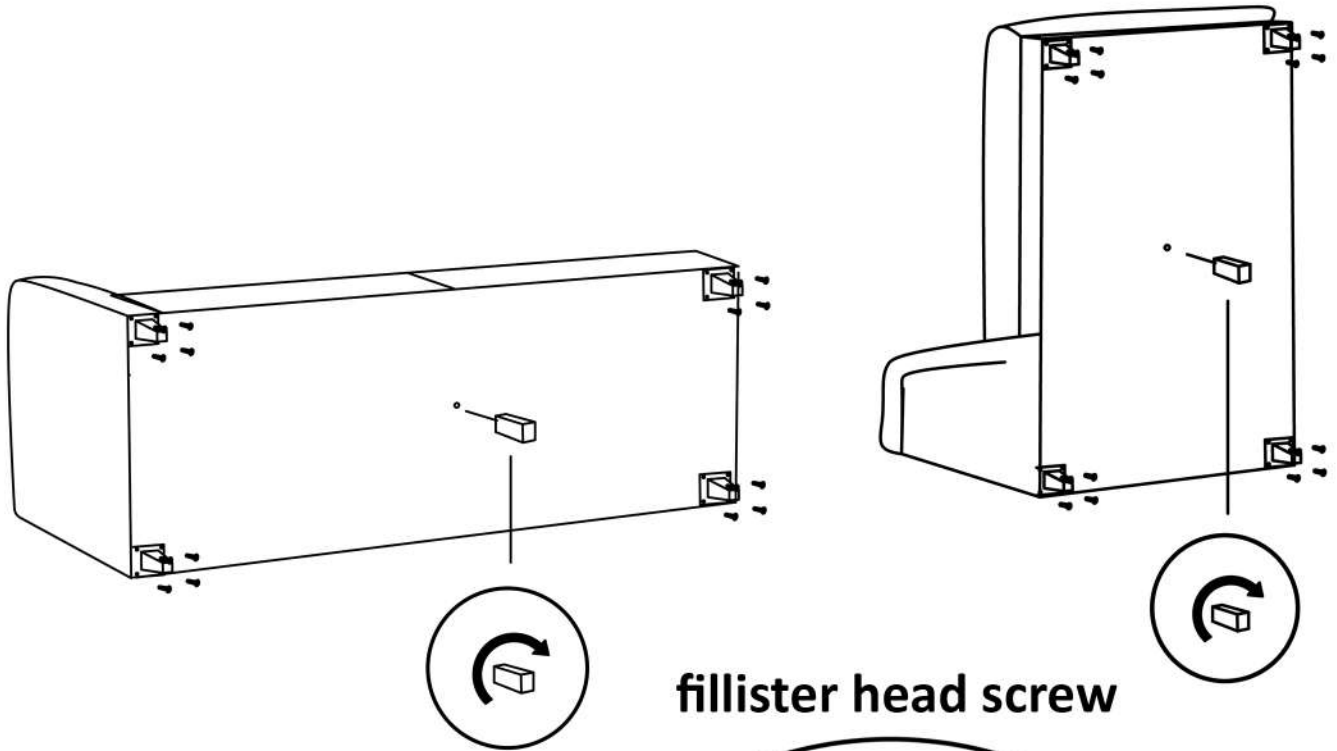
sofa includes eight wood legs and two middle legs

STEP 1

please recline the sofa



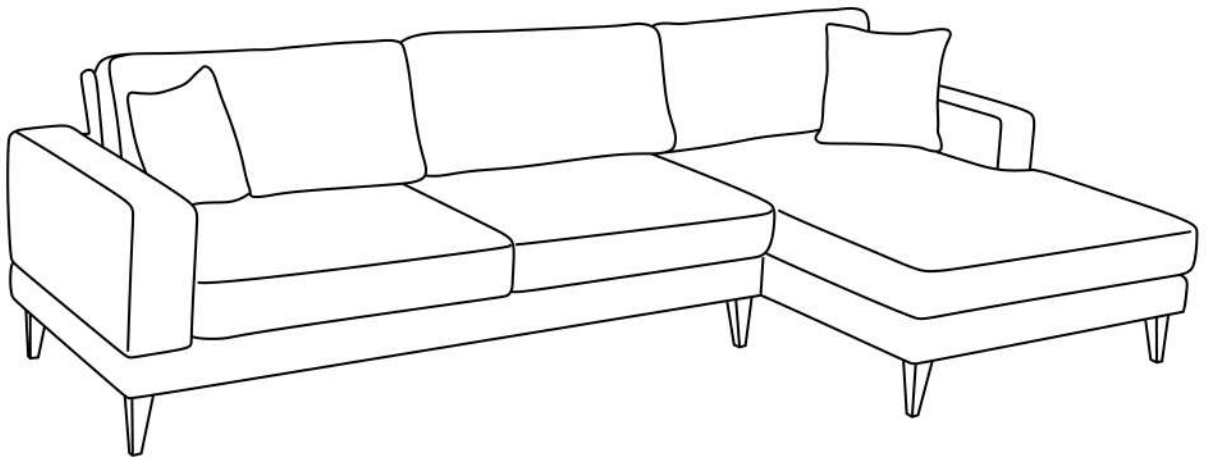
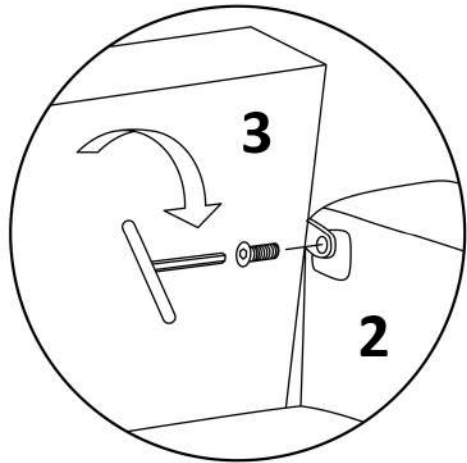
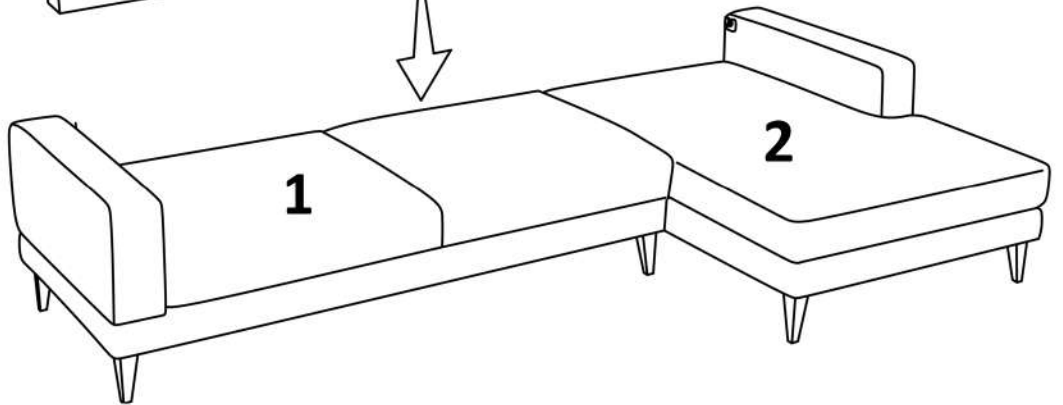
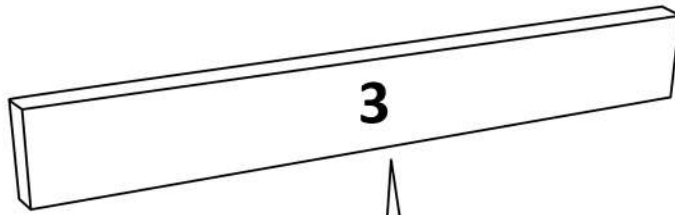
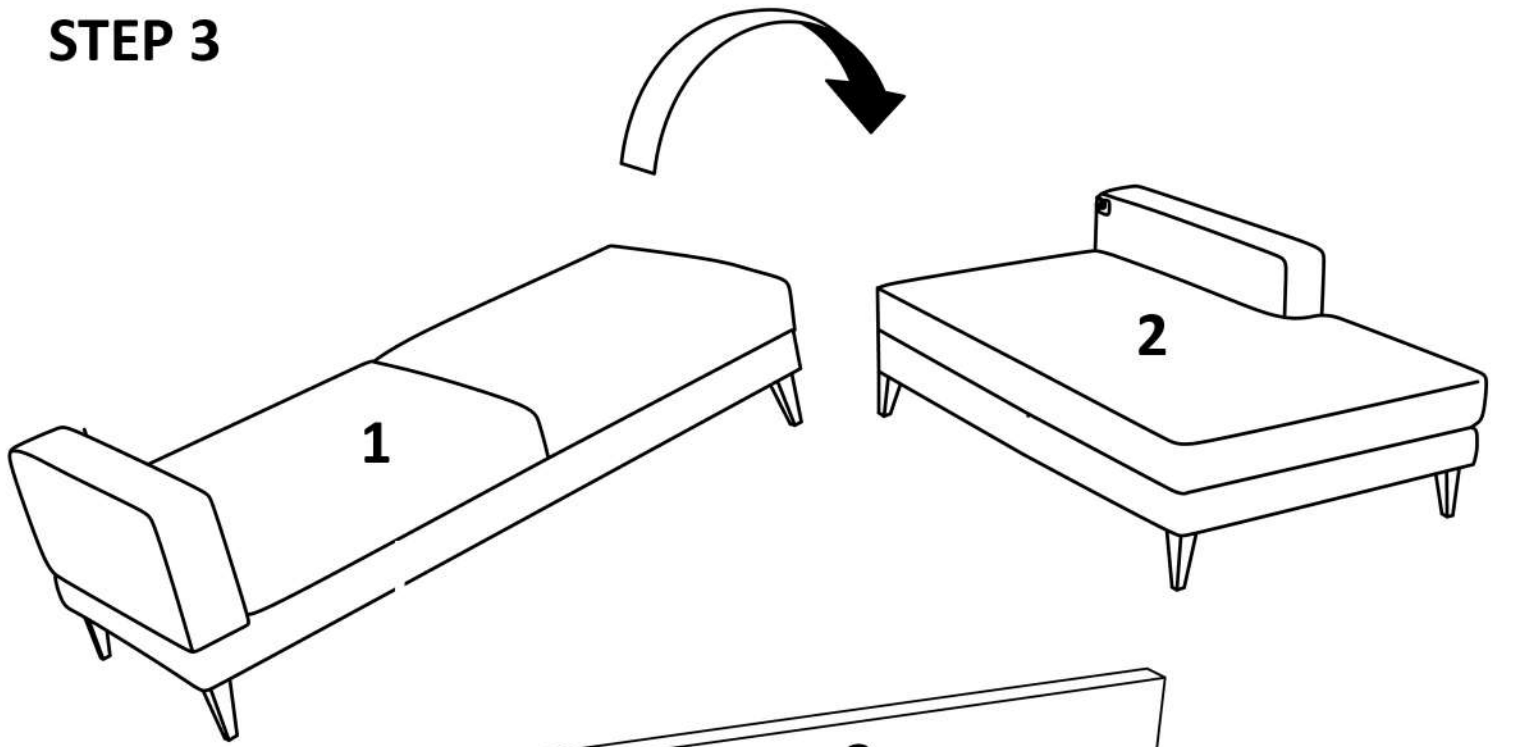
STEP 2



please don't use screwdriver

**please use a drill
for fixing the legs**

STEP 3



have a nice seating