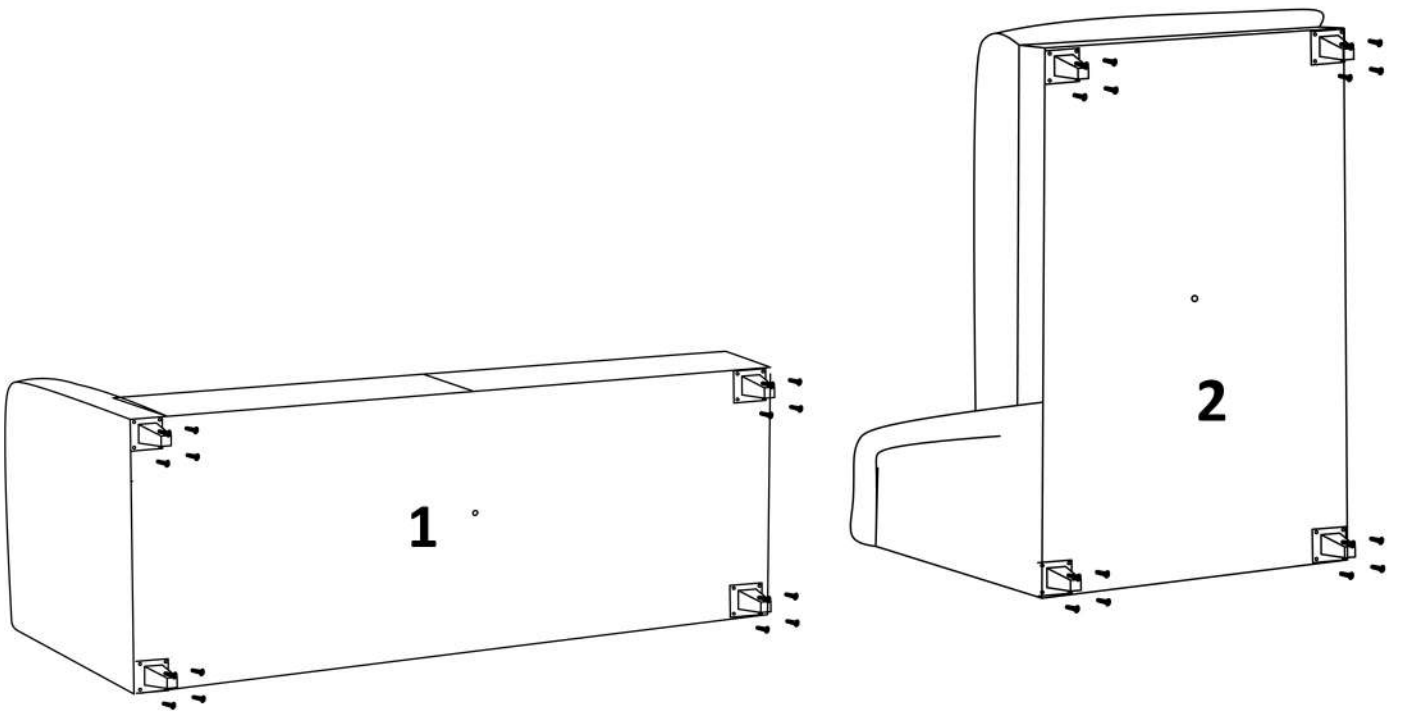


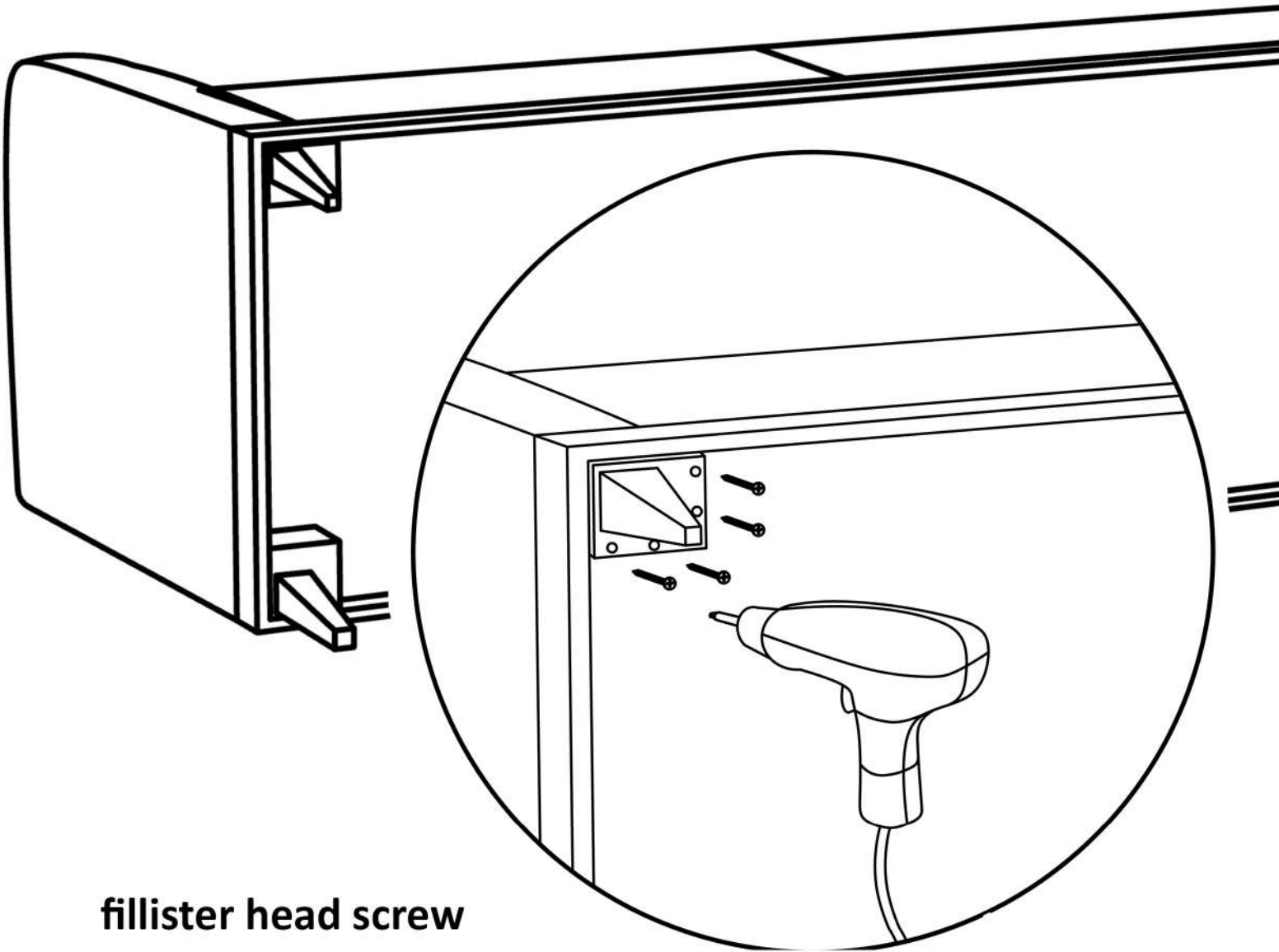
sofa includes 8 pcs wood legs and 2 pcs adjustable middle legs

STEP 1

please recline the sofa

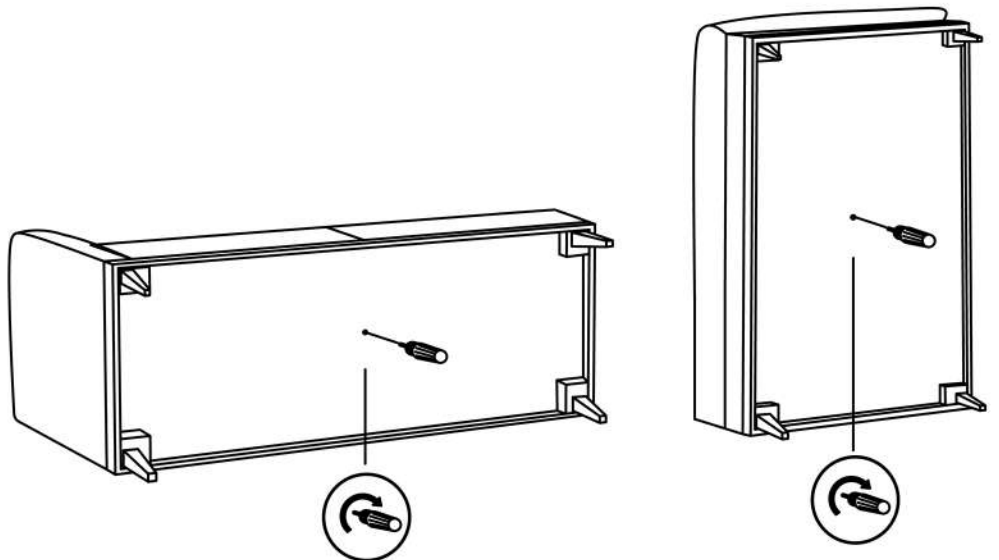
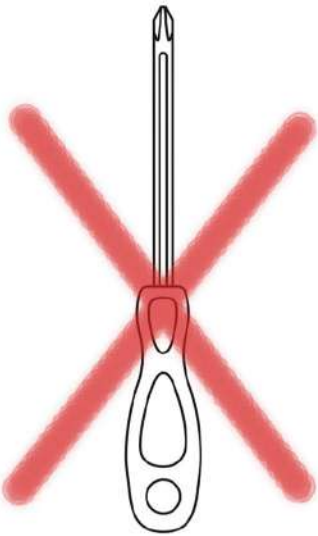


STEP 2



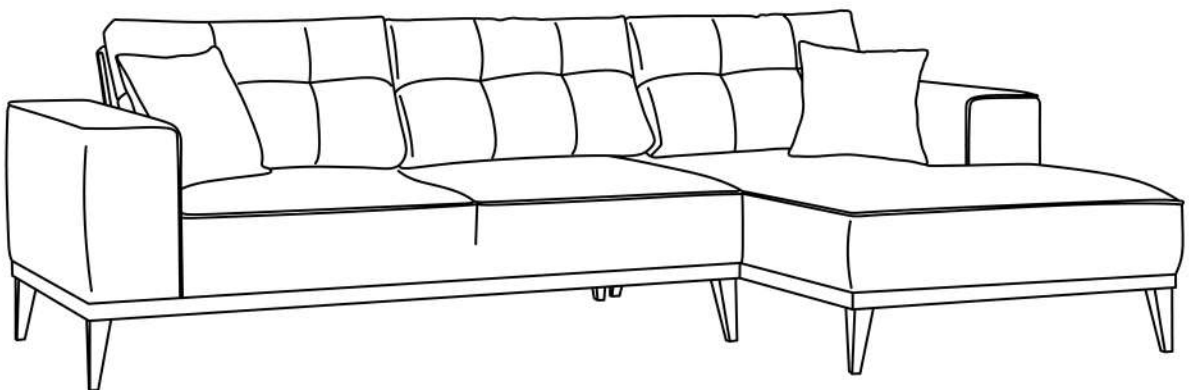
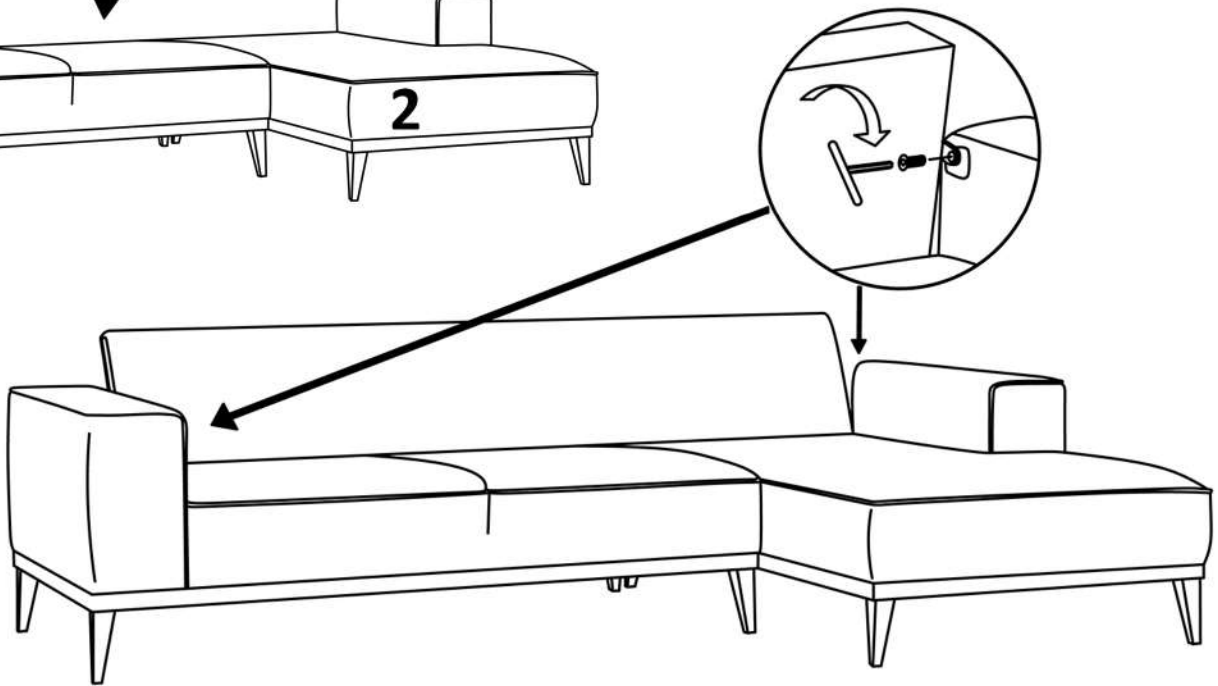
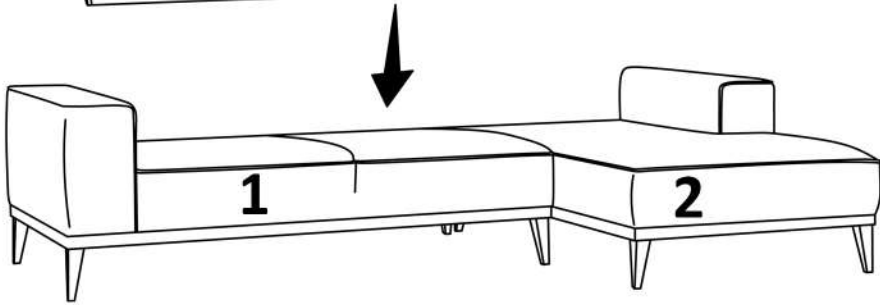
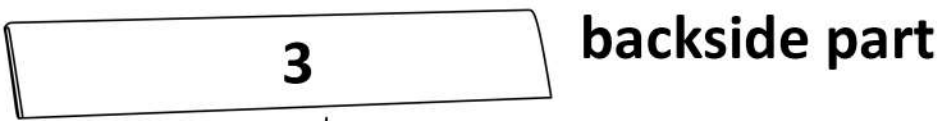
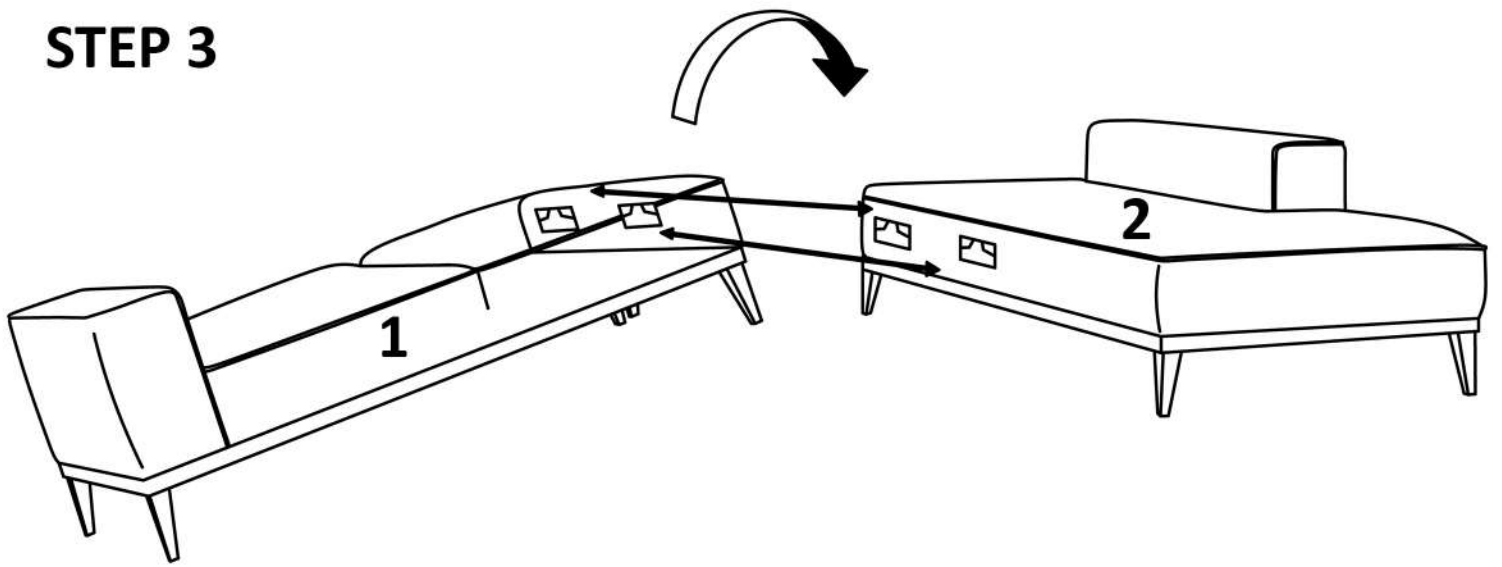
fillister head screw

please use a drill
for fixing the legs



please don't use screwdriver

STEP 3



have a nice seating